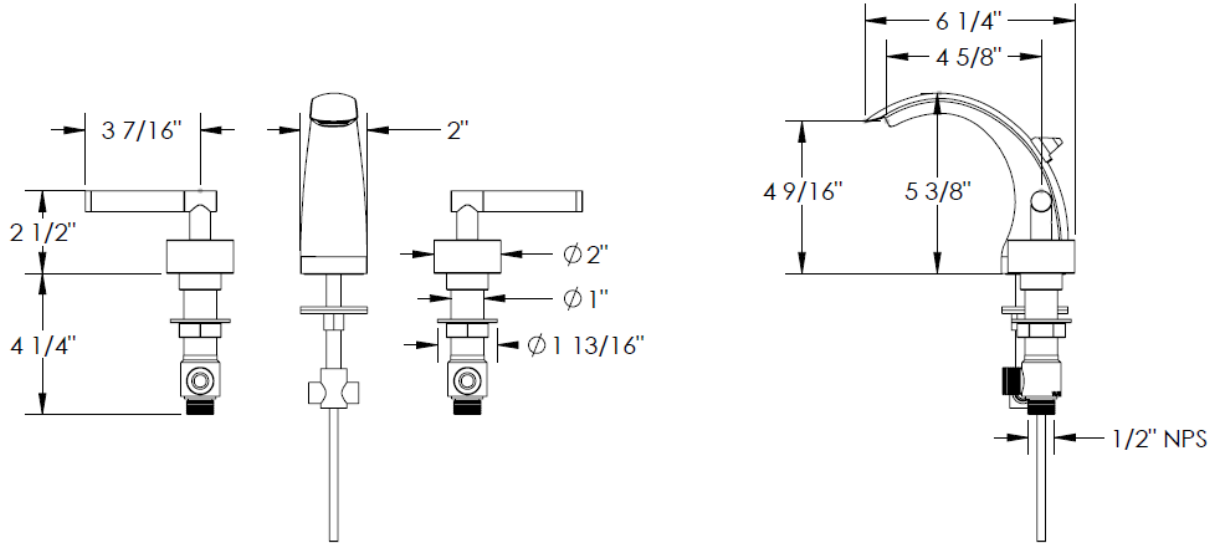


FEATURES

- ¼ turn washerless ceramic disc valve cartridges
- Flexible hose connection for 8" to 16" spread installations
- Flow rate 1.5 gpm (5.7 lpm) maximum flow rate
- Solid brass construction
- Listed by IAPMO, CSA, NSF, and other municipalities
- Warranty:
 - Limited lifetime warranty (residential use)
 - One year (commercial use)
- Shipping weight (lbs.) 10
- Shipping dimensions (in.): 29x12x4



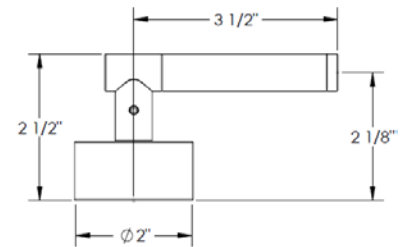
ITEM NO.	PART NUMBER	QTY.
1	319-2-SPT	1
2	319-2-LIFT-KNOB	1
3	AS568 - 130	1
4	.4375-18-NUT	1
5	321-2-GSKT	1
7	321-2-RBBR-WSHR	1
8	321-2-TEE	1
9	321-2-WSHR	1
11	MR03 US - 1.5 GPM	1
12	SPPLY-HOSE-0.5-14-NPS	2
13	142-LOCK-NUT	2
14H/14C	SS-502 Valve Body	2
15H/15C	SS-502 Cartridge	2
42	L4-TOP-LOCK-NUT	2

HANDLE TRIMS

Hudson (Code: N2)



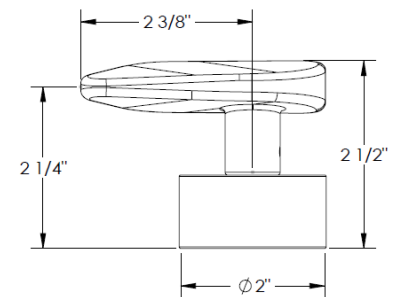
ITEM NO.	PART NUMBER	QTY.
1	N2-POST	1
3	N2-ESC	1
4	SSCUPSKT 0.164-32x0.125-HX-S	1
5	N2-LVR-INSRT	1
7	CR-FHMS 0.164-32x0.5x0.5-S	1



Thames (Code: N5)



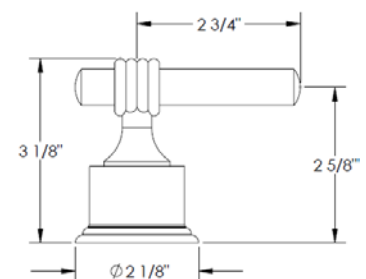
ITEM NO.	PART NUMBER	QTY.
1	N2-ESC	1
2	N5-LVR-(HOT/COLD)	1
3	SSCUPSKT 0.164-32x0.1875-HX-S	1



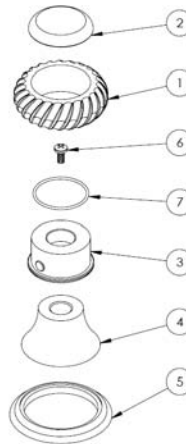
Tigris (Code: W)



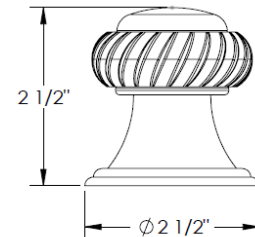
ITEM NO.	PART NUMBER	QTY.
1	W-ESC	1
2	W-ESC-RING	1
3	W-LVR	1
4	W-POST	1
8	CR-FHM1 0.164-32x0.25x0.25-S	1



Volga (Code: XN)



ITEM NO.	PART NUMBER	QTY.
1	XN-KNOB-RING	1
2	XJ-KNOB-CAP	1
3	XJ-POST	1
4	XJ-ESC	1
5	U5-ESC-RING	1
6	CR-PHMS 0.164-32x0.375x0.375-S	1
7	AS568 - 026	1



IMPORTANT INSTALLATION INFORMATION

- USE TEFLON TAPE OR PIPE SEALANT FOR THREADED CONNECTIONS
- DO NOT USE PLUMBER'S PUTTY ON ANY OF THE BRASS COMPONENTS
This will cause the finish to tarnish and void the warranty. A non-corrosive Alkoxy Silicone is recommended.
- DURING SWEATING OF LINES DO NOT OVERHEAT CASTING
Overheating may cause damage to internal mechanism
- COPPER ADAPTORS MAY BE REQUIRED TO COMPLETE YOUR INSTALLATION

For technical support, please call 718-257-2800

Rev. 1/1