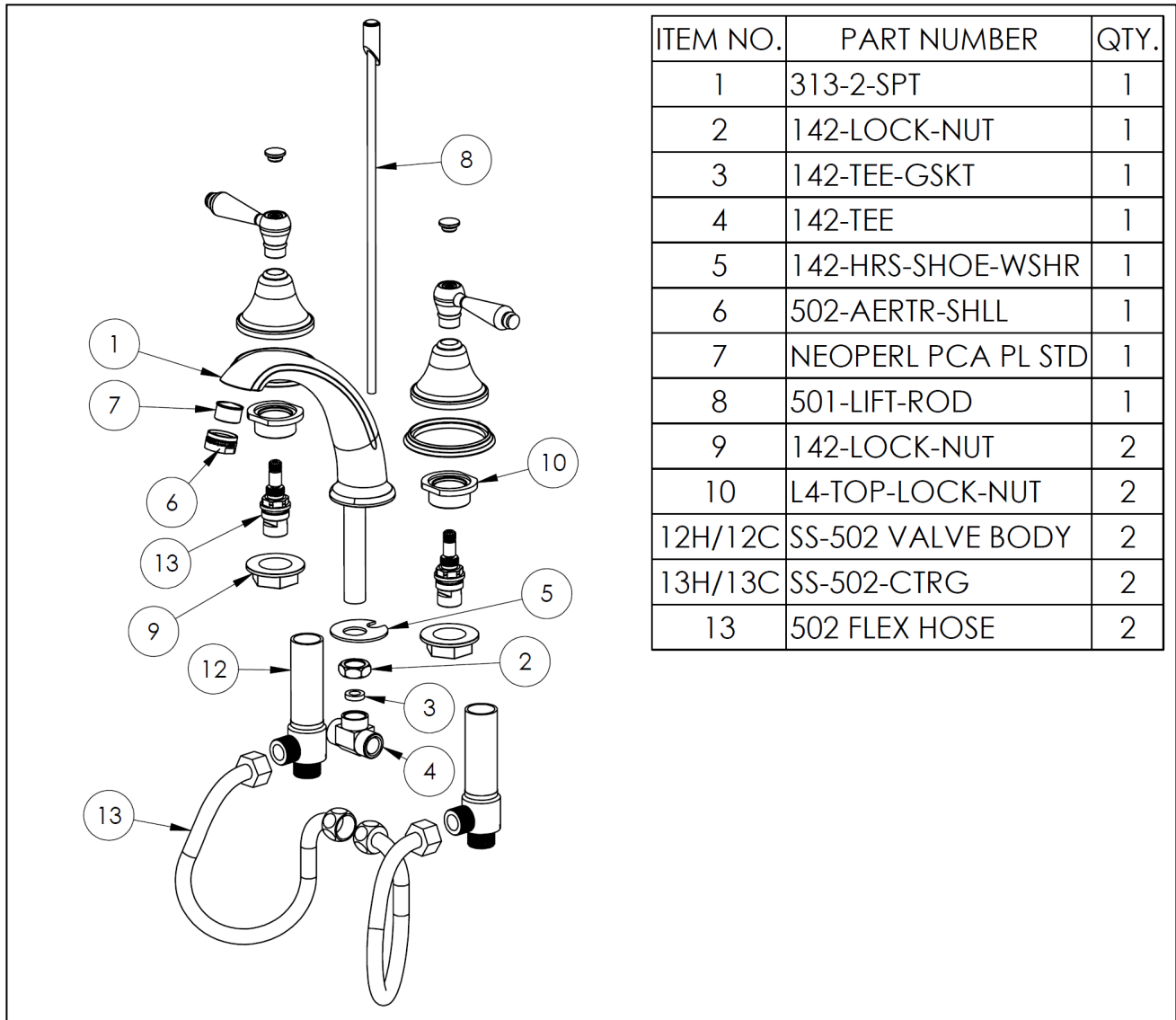


FEATURES

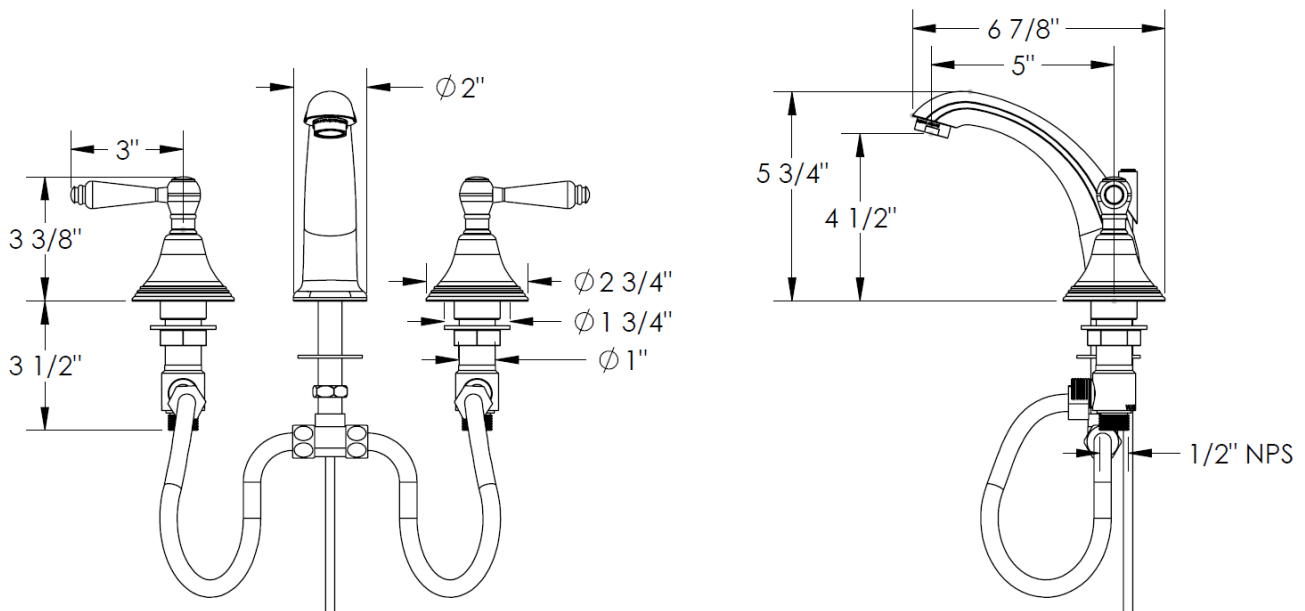
- ¼ turn washerless ceramic disc valve cartridges
- Flexible hose connection for 8" to 16" spread installations
- Flow rate 2.2 gpm (8.3 lpm) maximum flow rate
- Solid brass construction
- Warranty:
 - Limited lifetime warranty (residential use)
 - One year (commercial use)
- Standard finishes:
 - polished chrome
 - satin nickel
 - polished nickel
 - rustic brass
- Listed by IAPMO, CSA, NSF, and other municipalities
- Shipping weight (lbs.) 10
- Shipping dimensions (in.): 29x12x4



ITEM NO.	PART NUMBER	QTY.
1	313-2-SPT	1
2	142-LOCK-NUT	1
3	142-TEE-GSKT	1
4	142-TEE	1
5	142-HRS-SHOE-WSHR	1
6	502-AERTR-SHLL	1
7	NEOPERL PCA PL STD	1
8	501-LIFT-ROD	1
9	142-LOCK-NUT	2
10	L4-TOP-LOCK-NUT	2
12H/12C	SS-502 VALVE BODY	2
13H/13C	SS-502-CTRG	2
13	502 FLEX HOSE	2

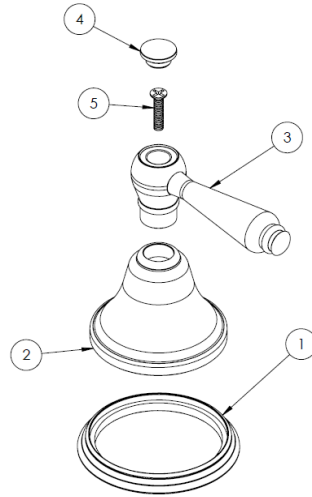
1. **Carefully remove all parts from the box.**
2. **Begin by first installing the Spout.**
 - a. Remove the "T" Assembly (3,4) from the Spout (1).
 - b. Drop the Spout through the hole in your countertop or sink.
 - c. Tighten the Lock Nut (2) against the underside of mounting surface.
 - d. Re-assemble "T" Assembly onto bottom of Spout.
3. **Identify your Hot and Cold Valves.**
 - a. Remove all trim from Valve Assembly (including Top Lock Nut [10] where applicable), leaving Bottom Lock Nut (9).
 - b. Begin to tighten the Valve to your countertop or sink with a Top Lock Nut (10) (Refer to Diagram) but do not tighten completely.
 - c. Install Escutcheon and Handle (refer to "Handle Trims" section) on valve body (12). Be sure that bottom of handle properly clears top of the Escutcheon.
 - d. Once you have adjusted the Valve height, remove Handle and proceed to tighten Valve from the bottom until it is snug.
 - e. Install Handle on the Valve.
4. **Connect the two Flex Hoses (13) to "T" Assembly (4) and to the HOT (12H) and COLD (12C) valves respectively.**
These hoses can be bent or twisted, but be careful not to kink the hoses or you will have limited water supply and excessive noise from the faucet.
5. **Begin by bleeding the water lines before connecting to the valves. Connect water supplies to bottom of each valve.**
6. **Remove flow restrictors found in both inlets of "T" Assembly (4) and flush faucet by running both Hot and Cold water in full open position. Replace the flow restrictors.**
7. **Check for leaks. If leaks or problems occur, re-tighten all nuts before consulting a plumber.**

NOTE: The above instructions apply to the "A" handle trim.

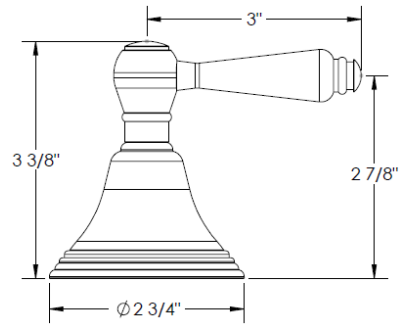


HANDLE TRIMS

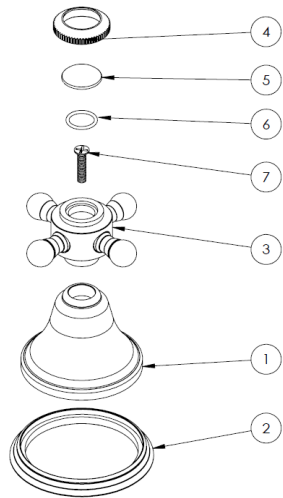
New York (Code: A)



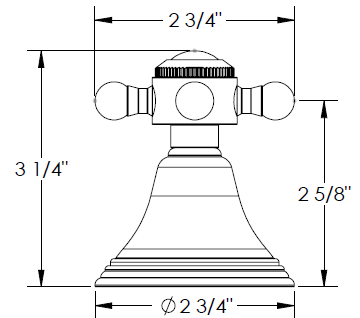
ITEM NO.	PART NUMBER	QTY.
1	A-ESC-RING	1
2	A-ESC	1
3	A-LVR	1
4	A-POST-CAP	1
5	CR-FHMS 0.164-32x0.75x0.75-S	1



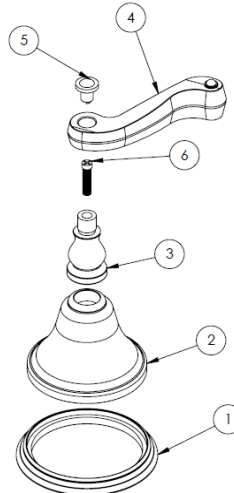
Charlton (Code: AXP)



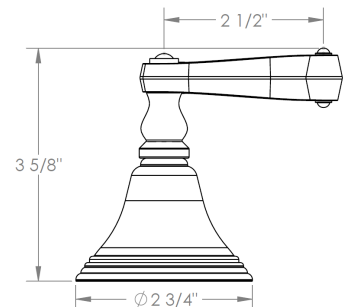
ITEM NO.	PART NUMBER	QTY.
1	A-ESC	1
2	A-ESC-RING	1
3	X-POST	1
4	X-CAP-RING	1
5	X-PRCLN-INSRT-(PLN/COLD/HOT)	1
6	AS568 - 014	1
7	CR-FHMS 0.164-32x0.75x0.75-S	1



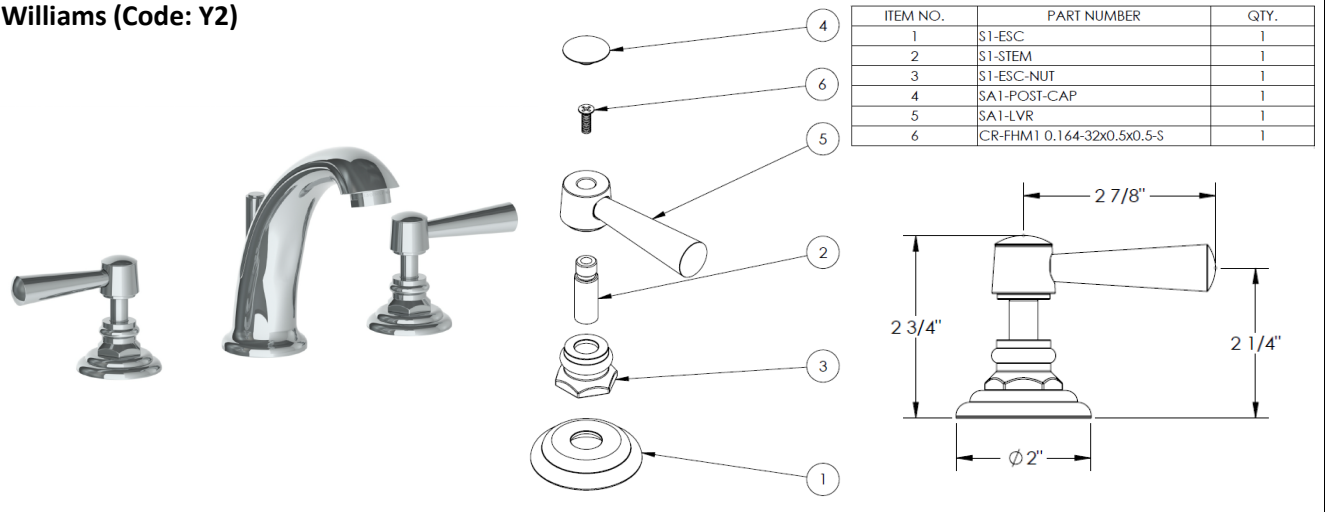
Houston (Code: F)



ITEM NO.	PART NUMBER	QTY.
1	A-ESC-RING	1
2	A-ESC	1
3	F-POST	1
4	F-LVR	1
5	F-POST-CAP	1
6	F-POST-SCRW	1



Williams (Code: Y2)



IMPORTANT INSTALLATION INFORMATION

- USE TEFLON TAPE OR PIPE SEALANT FOR THREADED CONNECTIONS
- DO NOT USE PLUMBER'S PUTTY ON ANY OF THE BRASS COMPONENTS
This will cause the finish to tarnish and void the warranty. A non-corrosive Alkoxy Silicone is recommended.
- DURING SWEATING OF LINES DO NOT OVERHEAT CASTING
Overheating may cause damage to internal mechanism
- COPPER ADAPTORS MAY BE REQUIRED TO COMPLETE YOUR INSTALLATION

For technical support, please call 718-257-2800