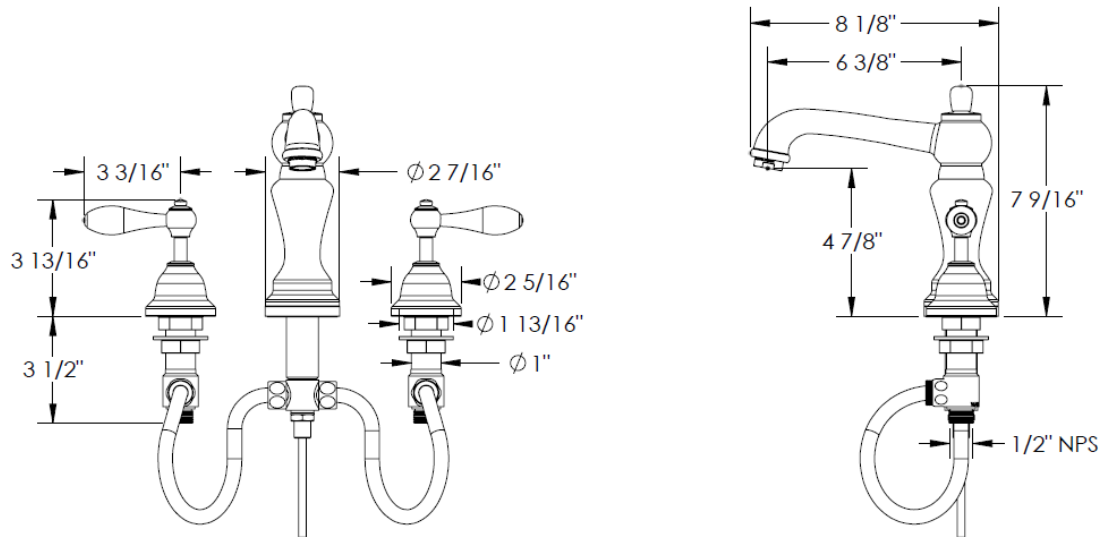


### FEATURES

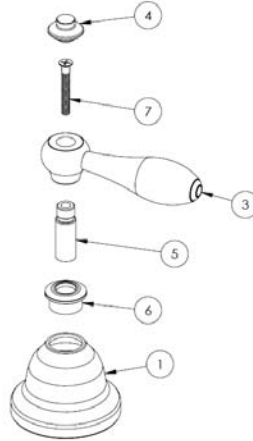
- ¼ turn washerless ceramic disc valve cartridges
- Flexible hose connection for 8" to 16" spread installations
- Flow rate 1.5 gpm (5.7 lpm) maximum flow rate
- Solid brass construction
- Listed by IAPMO, CSA, NSF, and other municipalities
- Warranty:
  - Limited lifetime warranty (residential use)
  - One year (commercial use)
- Shipping weight (lbs.) 10
- Shipping dimensions (in.): 29x12x4



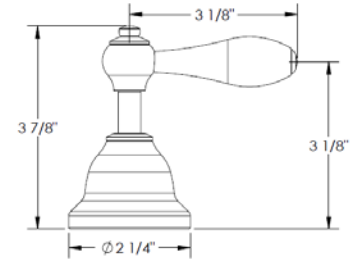
ITEM NO.	PART NUMBER	QTY.
2	28-2-BASE-RING	1
3	28-2 SPOUT	1
7	502-LIFT-ROD	1
8	502-TEE	1
11	501-HEX-NUT	1
12	172 BRASS WASHER	1
13	28-2-BASE ORING	1
14	502-AERTR-SHLL	1
16	502 T GASKET	1
17	28-2 AERATOR GASKET	1
18	NEOPERL PCA PL STD	1
19	O-018 O-RING	1
20	502 FLEX HOSE	2
22	142-LOCK-NUT	4
23H/23C	SS-502 Valve Body	2
24H/24C	SS-502 Cartridge	2
44	502 LOCK NUT	1

### HANDLE TRIMS

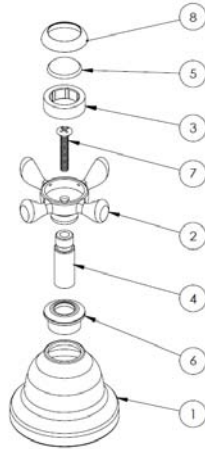
#### Heritage (Code: B4)



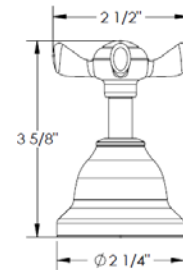
ITEM NO.	PART NUMBER	QTY.
1	B4-ESC	1
3	B4-LVR	1
4	B4-POST-CAP	1
5	S1-STEM	1
6	B4-ESC-NUT	1
7	CR-FHM1 0.164-32x1.25x1-S	1



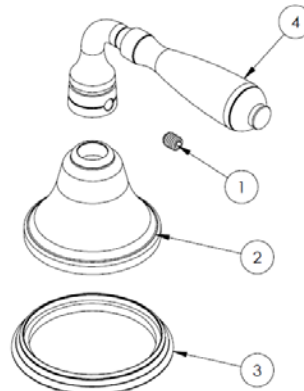
#### Edwardian (Code: B5)



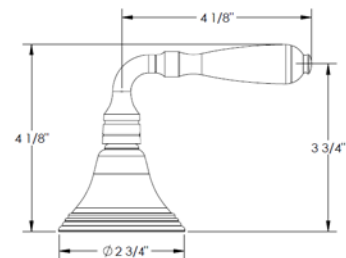
ITEM NO.	PART NUMBER	QTY.
1	B4-ESC	1
2	B5-CRSS-HNDL	1
3	B5-CAP-ADAP	1
4	S1-STEM	1
5	B5-PRCLN-INSRT-(PLN/COLD/HOT)	1
6	B4-ESC-NUT	1
7	CR-OHMS 0.164-32x1x1-S	1
8	B5-CAP-RING	1



#### Laprade (Code: BV01)



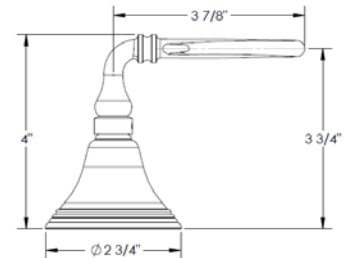
ITEM NO.	PART NUMBER	QTY.
1	SSCUPSKT 0.25-20x0.3125-HX-S	1
2	A-ESC	1
3	A-ESC-RING	1
4	BV01-LVR	1



Richelieu (Code: BV02)



ITEM NO.	PART NUMBER	QTY.
1	BV02-LVR-(RGHT/LEFT)	1
2	B18.3.6M - M6 x 1 x 6 Hex Socket Type I Cup Pt. SS --S	1
3	A-ESC-RING	1
4	A-ESC	1



### **IMPORTANT INSTALLATION INFORMATION**

- USE TEFLON TAPE OR PIPE SEALANT FOR THREADED CONNECTIONS
- DO NOT USE PLUMBER'S PUTTY ON ANY OF THE BRASS COMPONENTS  
This will cause the finish to tarnish and void the warranty. A non-corrosive Alkoxy Silicone is recommended.
- DURING SWEATING OF LINES DO NOT OVERHEAT CASTING  
Overheating may cause damage to internal mechanism
- COPPER ADAPTORS MAY BE REQUIRED TO COMPLETE YOUR INSTALLATION

**For technical support, please call 718-257-2800**

Rev. 1/1