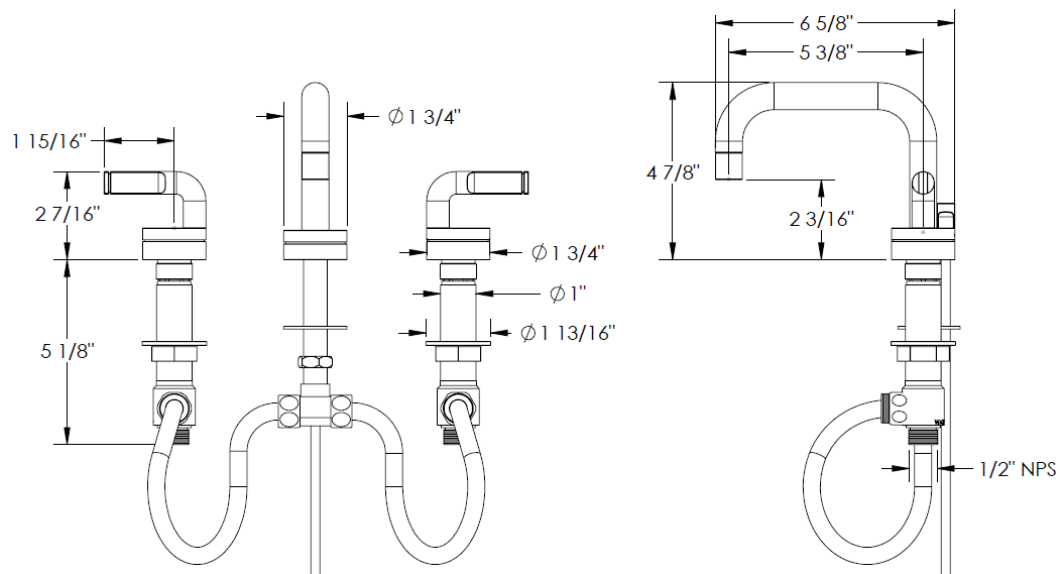


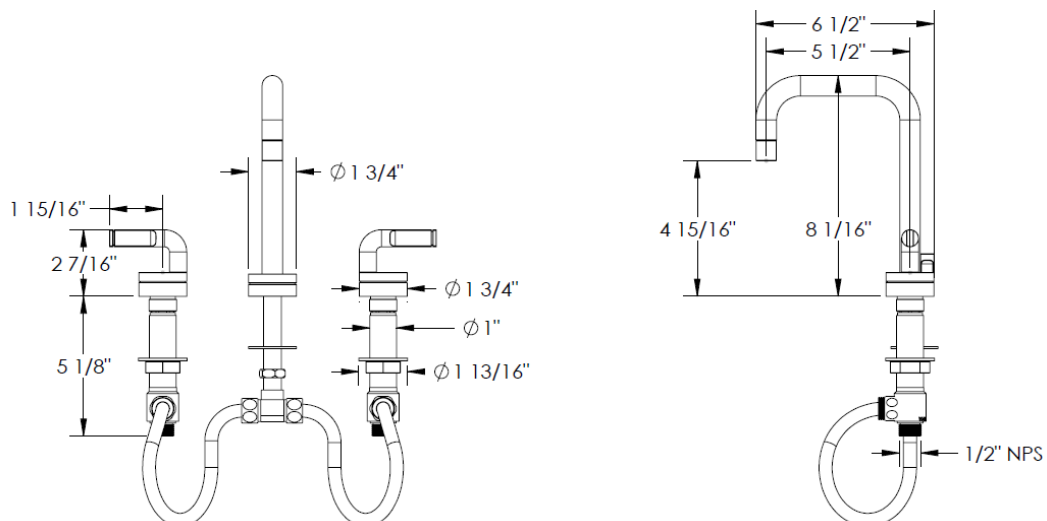
FEATURES

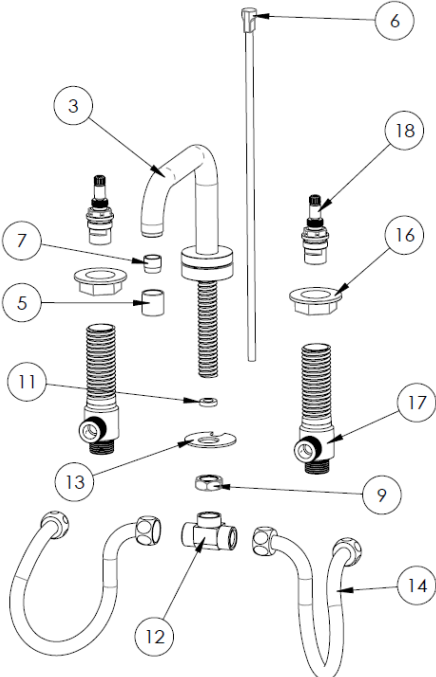
- ¼ turn washerless ceramic disc valve cartridges
- Flexible hose connection for 8" to 16" spread installations
- Flow rate 1.5 gpm (5.7 lpm) maximum flow rate
- Solid brass construction
- Listed by IAPMO, CSA, NSF, and other municipalities
- Warranty:
 - Limited lifetime warranty (residential use)
 - One year (commercial use)
- Shipping weight (lbs.) 10
- Shipping dimensions (in.): 29x12x4

26-2 (Widespread)



26-2.1 (Widespread with Gooseneck Spout)





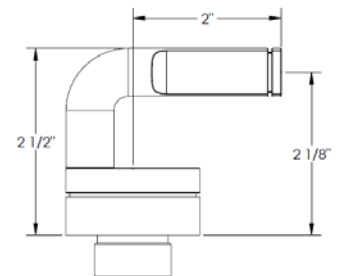
ITEM NO.	PART NUMBER	QTY.
3	26-2-SPT	1
5	26-2-AERTR-SHLL	1
6	26-2 LIFT KNOB	1
7	NEOPERL PCA PL TT	1
9	142-LOCK-NUT	1
11	142-TEE-GSKT	1
12	142-TEE	1
13	142-HRS-SHOE-WSHR	1
14	502 FLEX HOSE	2
16	142-LOCK-NUT	2
17H/17C	SS-502 Valve Body	2
18H/18C	SS-502 Cartridge	2

HANDLE TRIMS

Eccentric (Code: V1)



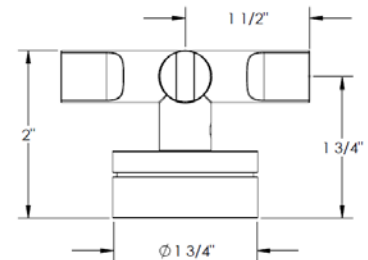
ITEM NO.	PART NUMBER	QTY.
1	V1-ESC	1
2	V1-LVR-BASE-(RGHT/LEFT)	1
3	V1-LVR	1
4	CR-FHM1 0.164-32x0.5x0.5-S	1
5	SSCUPSKT 0.164-32x0.1875-HX-S	1
6	M3x10-SS-PIN	1



Punk (Code: V2)



ITEM NO.	PART NUMBER	QTY.
1	V2-ESC	1
2	V2-CRSS-HNDL	1
3	SSCUPSKT 0.164-32x0.125-HX-S	1



IMPORTANT INSTALLATION INFORMATION

- USE TEFLON TAPE OR PIPE SEALANT FOR THREADED CONNECTIONS
- DO NOT USE PLUMBER'S PUTTY ON ANY OF THE BRASS COMPONENTS
This will cause the finish to tarnish and void the warranty. A non-corrosive Alkoxy Silicone is recommended.
- DURING SWEATING OF LINES DO NOT OVERHEAT CASTING
Overheating may cause damage to internal mechanism
- COPPER ADAPTORS MAY BE REQUIRED TO COMPLETE YOUR INSTALLATION

For technical support, please call 718-257-2800

Rev. 1/1