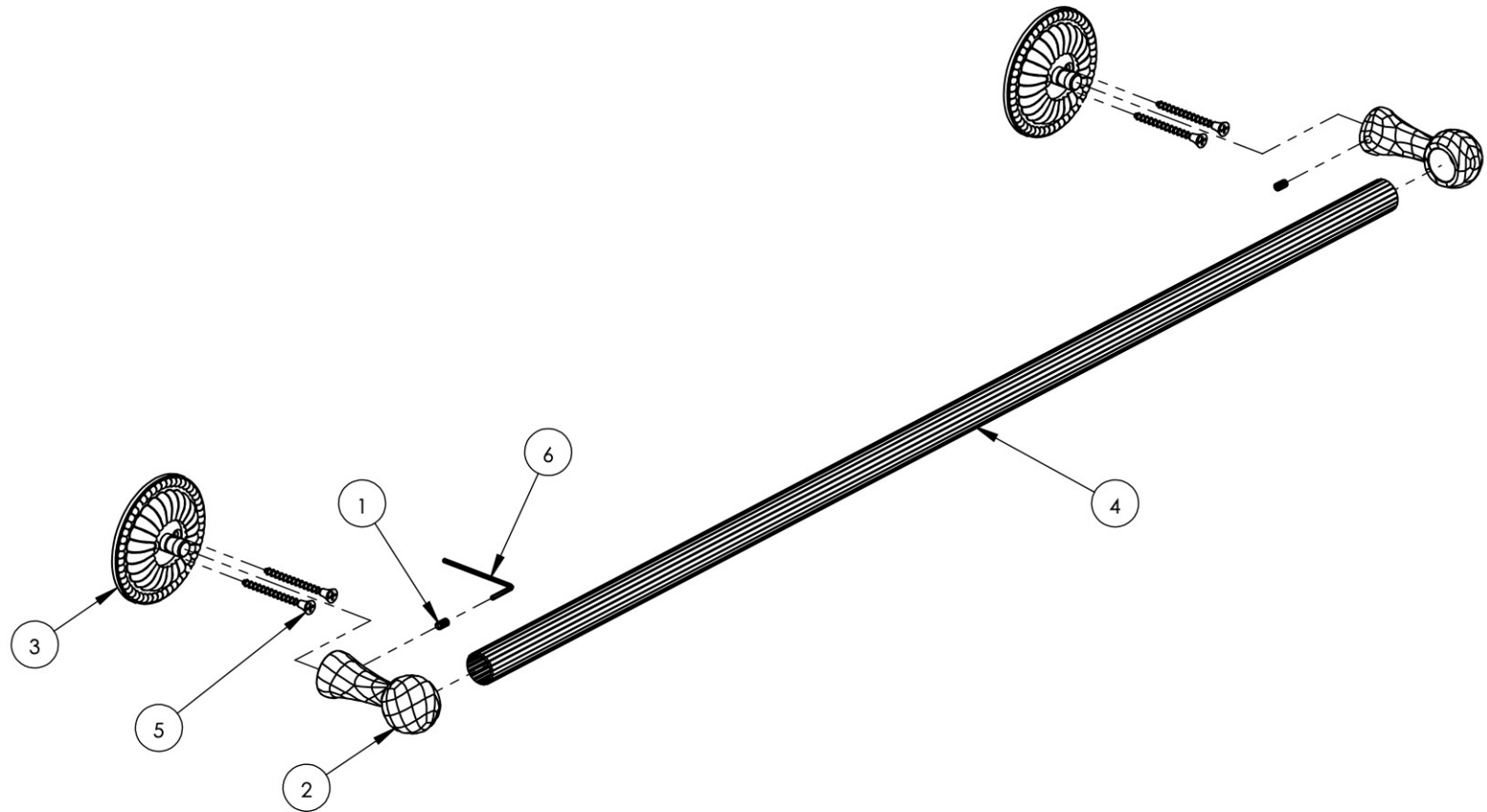


ITEM NO.	PART NUMBER	DESCRIPTION	QTY.
1	92010	SET SCREW, CUP POINT 8-32UNC 5/16" LENGTH SS	2
2	P23047/00	KCW 50/65 POST	2
3	P23055/00	KPG BACKPLATE	2
4	P23081/00	30 INCH KPG TOWEL BAR	1
5	P36005	#6 DRY WALL SCREW	4
6	P39001	5/64 HEX KEY, FOR 8/32 SET SCREW	1



A

B

C

D

E

ZONE	REV.	DESCRIPTION	DATE	APPROVED
------	------	-------------	------	----------

REVISIONS

1261 LOGAN AVENUE COSTA MESA, CALIFORNIA 92626 PHONE: 714.361.4800 FAX: 714.617.3120	<h1>PHYL RICH®</h1> <p>Defining Luxury Since 1959</p>	<b>PROPRIETARY AND CONFIDENTIAL</b> THE INFORMATION CONTAINED IN THIS DRAWING IS THE SOLE PROPERTY OF RSS MANUFACTURING. ANY REPRODUCTION IN PART OR AS A WHOLE WITHOUT THE WRITTEN PERMISSION OF RSS MANUFACTURING IS PROHIBITED.

-	-	INTERPRET GEOMETRIC DIMENSIONING & TOLERANCING IN ACCORDANCE WITH ASME Y14.5-2009 & ASME Y14.41-2003 STANDARDS, UNLESS OTHERWISE SPECIFIED. DIMENSIONS ARE IN INCHES. TOLERANCES ARE:		
NEXT ASSY	USED ON	FRACTIONS ±1/64"	DECIMALS X.X: ±.1 X.XX: ±.01 X.XXX: ±.005	ANGULAR ±.5°
APPLICATION		MATERIAL	NAME	DATE
FINISH		DRAWN	LLO	7/29/2013
<b>DO NOT SCALE DRAWING</b>		CHECKED	GRE	

30" TOWEL BAR, GEORGIAN & BARCELONA (360-72/00)		
SIZE <b>A</b>	ASM/PRT NO. KPG75/00	REV -
SCALE: 1:4	WEIGHT: lbs.	SHEET 1 OF 2

5

4

3

2

1