

INSTALLATION FOR CENTERSETS & MONOBLOCK FAUCETS

Note:

- Use teflon tape or pipe sealant for threaded connections.
- Do not use plumber's putty, chemical cleaners, or any product with ammonia on any of the brass components. This will cause the finish to tarnish and void the warranty. A non-corrosive 100% silicone is recommended.

1 Carefully remove all parts from the box. This basic faucet should contain the following:

- Complete faucet assembly with handles.
- Pop up drain assembly
- Pop up rod and knob.

Note: Some monoblock basin faucets may contain either flexible hoses or rigid copper supply tubes with copper x female iron pipe adapters. (Refer to monoblock assembly diagrams).

2 Begin by first installing the faucet assembly.**For 4" centersets:**

- Remove the bottom locknuts.
- Align protector with holes in counter top or sink.
- Position the faucet through the holes in your counter top or sink.
- Tighten the locknuts against the underside of mounting surface.

For monoblocks:

- Install flex lines. Tighten with adjustable wrench until stop but be careful not to overtighten.
- Place faucet assembly, including flex hoses, and mounting rod through hole in sink or countertop. For certain faucets insert lift knob and lift rod into slot at back of faucet body as well.
- Install horseshoe bracket and washer. Firmly tighten 2 brass locknuts to mounting rods with wrench.

3 Begin by bleeding the water lines before connecting to the valves. Connect water supplies to bottom of each valve. There are several methods of doing this, depending upon your current installation.**4 Install the pop-up drain assembly, if applicable.**

- Remove collar, plug, and tail piece from the pop-up body.
- Lower nut to the lowest possible thread.
- Push pop-up body, including washers up through the sink drain.
- Screw collar to the pop-up assembly. You may want to use a sealant under the collar. Use a non-corrosive 100% silicone. The use of any other sealant will cause your warranty to be voided.
- Hand tighten the bottom nut. Do not over-tighten or you may crack your sink.
- Re-attach the tail piece. This piece may have to be cut down depending upon the height of your drain.
- Unscrew side nut from pop-up assembly.
- Place ball washer inside hole.
- Place pop-up plug into the sink, down through pop-up collar.
- Install ball rod into pop-up body.
- Place second ball washer on the rod.
- Hand tighten side nut securely.
- Put lift rod through spout.
- Use thumb nut to secure rod extension onto end of lift rod.
- Pull ball rod towards the floor until it stops. Do not force.
- Slip ball rod through nearest hole in lift rod extension. Lift rod extension may be bent to accomplish this.
- Secure the ball rod and lift rod extension with clip as shown in diagram.

5 Remove aerator and flush faucet by running both hot and cold water in full open position. Replace the aerator.**6 Check for leaks. If leaks or problems occur, retighten all nuts before consulting a plumber.**

FOR TECHNICAL SUPPORT PLEASE CALL 718-257-2800

REV. 4/06

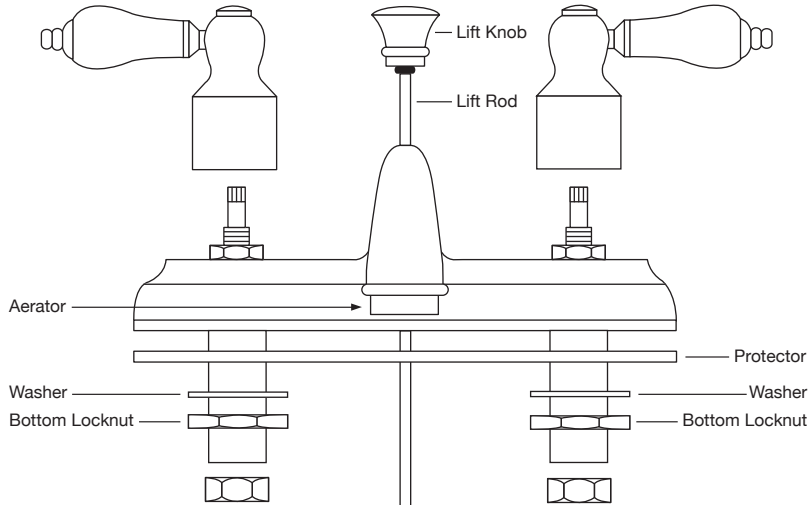
CENTERSETS & MONOBLOCK FAUCETS

WATERMARK

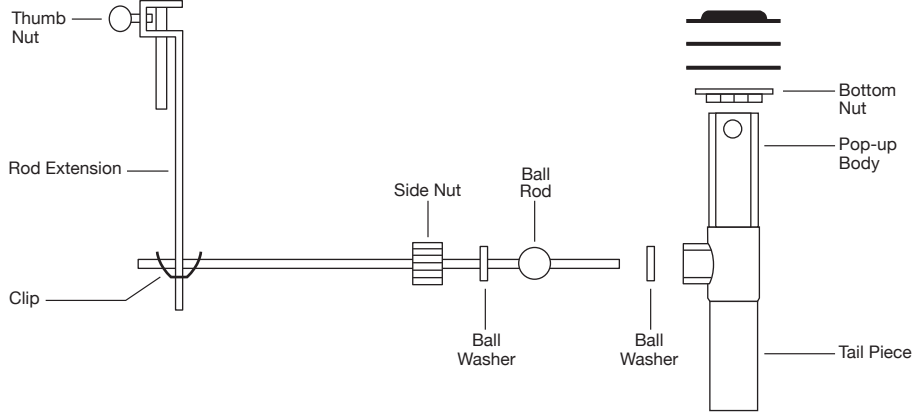
INSTALLATION DIAGRAM

DESIGNS

FAUCET ASSEMBLY



POP-UP DRAIN ASSEMBLY



MONOBLOCK ASSEMBLIES

