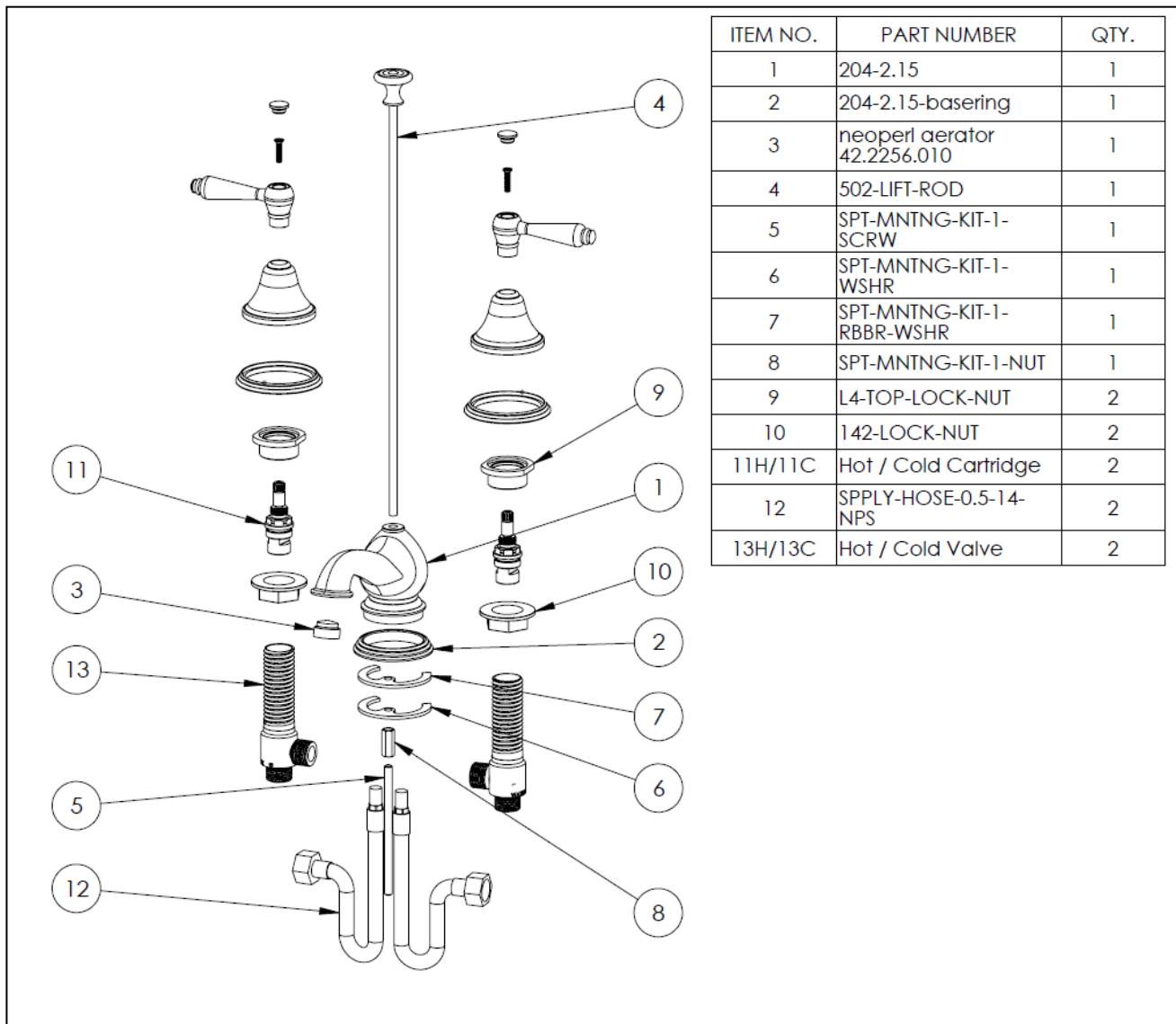


FEATURES

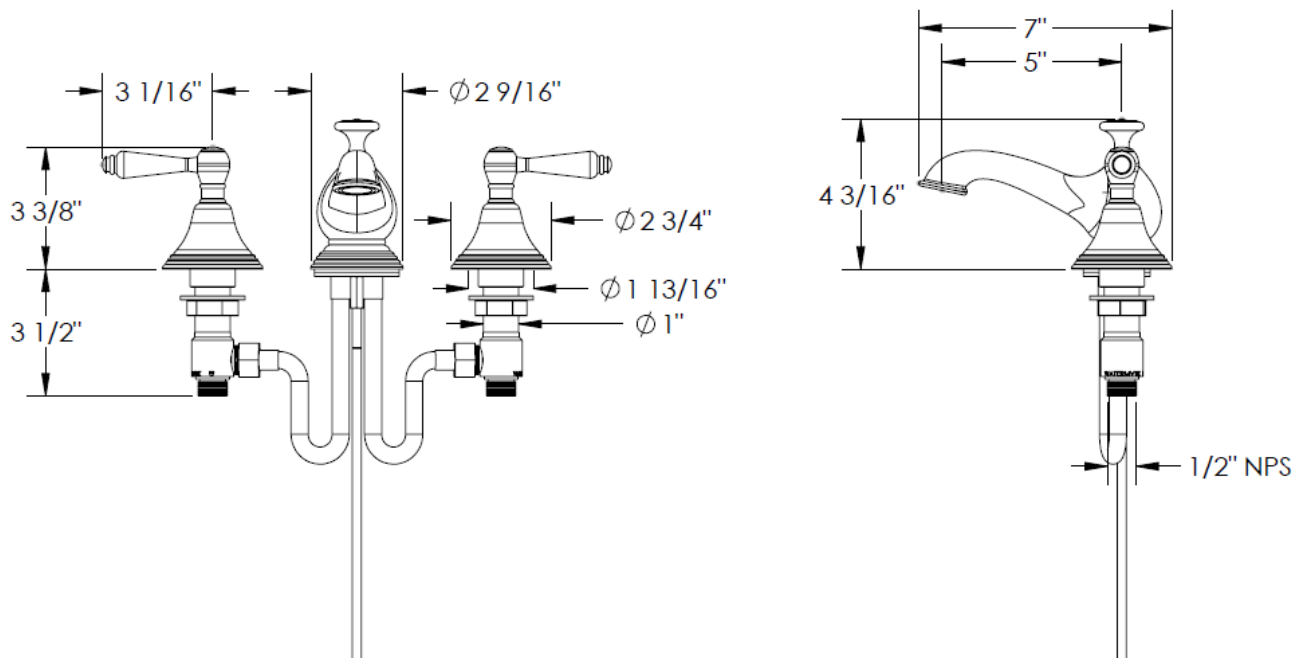
- ¼ turn washerless ceramic disc valve cartridges
- Flexible hose connection for 8" to 16" spread installations
- Flow rate 2.2 gpm (8.3 lpm) maximum flow rate
- Solid brass construction
- Warranty:
 - Limited lifetime warranty (residential use)
 - One year (commercial use)
- Standard finishes:
 - polished chrome
 - satin nickel
 - polished nickel
 - rustic brass
- Listed by IAPMO, CSA, NSF, and other municipalities
- Shipping weight (lbs.) 10
- Shipping dimensions (in.): 29x12x4



ITEM NO.	PART NUMBER	QTY.
1	204-2.15	1
2	204-2.15-basing	1
3	neoperl aerator 42.2256.010	1
4	502-LIFT-ROD	1
5	SPT-MNTNG-KIT-1- SCRW	1
6	SPT-MNTNG-KIT-1- WSHR	1
7	SPT-MNTNG-KIT-1- RBBR-WSHR	1
8	SPT-MNTNG-KIT-1-NUT	1
9	L4-TOP-LOCK-NUT	2
10	142-LOCK-NUT	2
11H/11C	Hot / Cold Cartridge	2
12	SPPLY-HOSE-0.5-14- NPS	2
13H/13C	Hot / Cold Valve	2

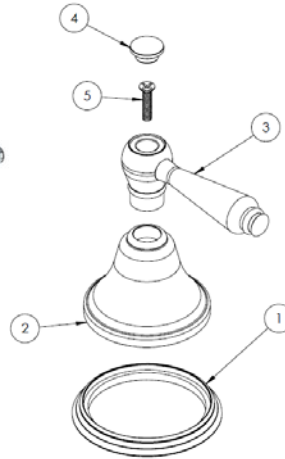
1. **Carefully remove all parts from the box.**
2. **Begin by first installing the Spout.**
 - a. Remove the Mounting Kit (5,6,7,8) from the Spout (1).
 - b. Drop the Spout through the hole in your countertop or sink.
 - c. Tighten the Nut (8) against the underside of mounting surface and Mounting Kit Washers (6,7).
3. **Identify your Hot and Cold Valves.**
 - a. Remove all trim from Valve Assembly (including Top Lock Nut [9] where applicable), leaving Bottom Lock Nut (10).
 - b. Begin to tighten the Valve to your countertop or sink with a Top Lock Nut (9) (Refer to Diagram) but do not tighten completely.
 - c. Install Escutcheon and Handle (refer to "Handle Trims" section) on valve body (13). Be sure that bottom of handle properly clears top of the Escutcheon.
 - d. Once you have adjusted the Valve height, remove Handle and proceed to tighten Valve from the bottom until it is snug.
 - e. Install Handle on the Valve.
4. **Connect the two Flex Hoses (12) to underside of Spout (1) and to the HOT (13H) and COLD (13C) valves respectively.**
These hoses can be bent or twisted, but be careful not to kink the hoses or you will have limited water supply and excessive noise from the faucet.
5. **Begin by bleeding the water lines before connecting to the valves. Connect water supplies to bottom of each valve.**
6. **Remove flow restrictors found in both inlets of Flex Hoses (12) and flush faucet by running both Hot and Cold water in full open position. Replace the flow restrictors.**
7. **Check for leaks. If leaks or problems occur, re-tighten all nuts before consulting a plumber.**

NOTE: The above instructions apply to the "A" handle trim.

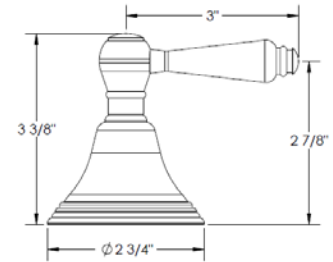


HANDLE TRIMS

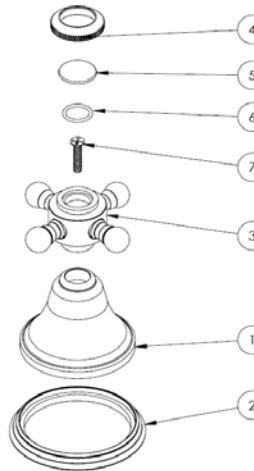
New York (Code: A)



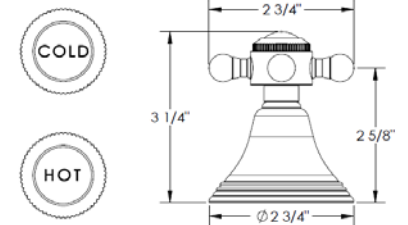
ITEM NO.	PART NUMBER	QTY.
1	A-ESC-RING	1
2	A-ESC	1
3	A-LVR	1
4	A-POST-CAP	1
5	CR-FHMS 0.164-32x0.75x0.75-S	1



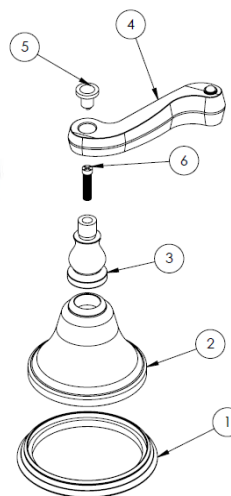
Charlton (Code: AXP)



ITEM NO.	PART NUMBER	QTY.
1	A-ESC	1
2	A-ESC-RING	1
3	X-POST	1
4	X-CAP-RING	1
5	X-PRCLN-INSRT-(PLN/COLD/HOT)	1
6	AS568 - 014	1
7	CR-FHMS 0.164-32x0.75x0.75-S	1

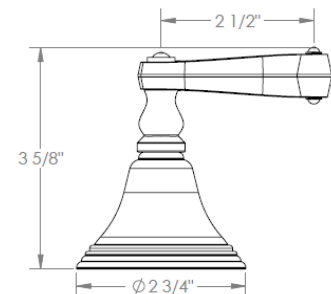


Houston (Code: F)

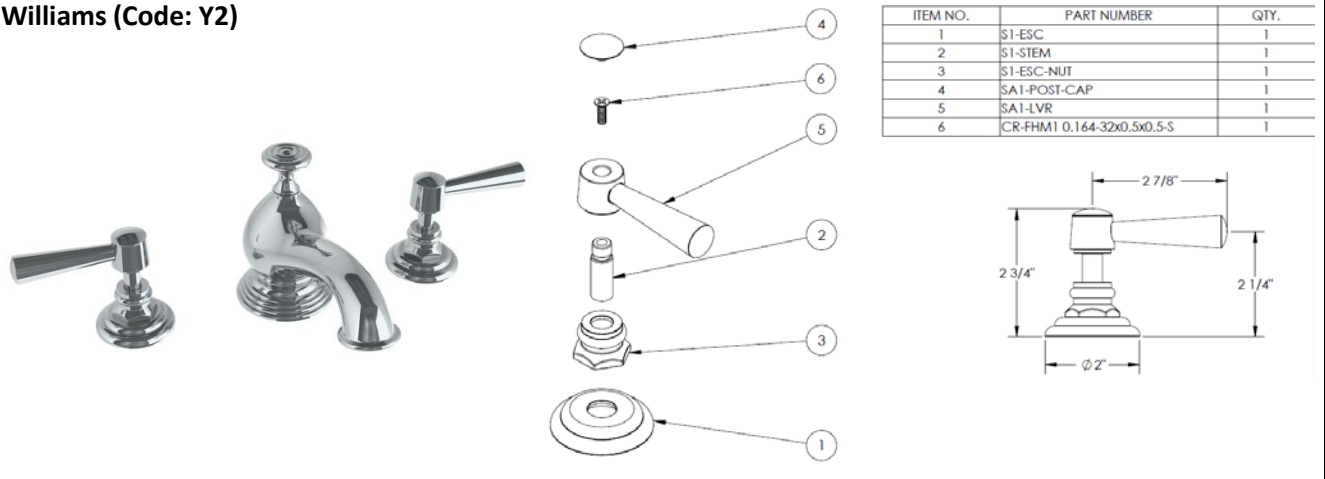


ITEM NO.	PART NUMBER	QTY.
1	A-ESC-RING	1
2	A-ESC	1
3	F-POST	1
4	F-LVR	1
5	F-POST-CAP	1
6	F-POST-SCRW	1

HNDL: 3, 4, 5 & 6



Williams (Code: Y2)



IMPORTANT INSTALLATION INFORMATION

- USE TEFLON TAPE OR PIPE SEALANT FOR THREADED CONNECTIONS
- DO NOT USE PLUMBER'S PUTTY ON ANY OF THE BRASS COMPONENTS
This will cause the finish to tarnish and void the warranty. A non-corrosive Alkoxy Silicone is recommended.
- DURING SWEATING OF LINES DO NOT OVERHEAT CASTING
Overheating may cause damage to internal mechanism
- COPPER ADAPTORS MAY BE REQUIRED TO COMPLETE YOUR INSTALLATION

For technical support, please call 718-257-2800

Rev. 1/1