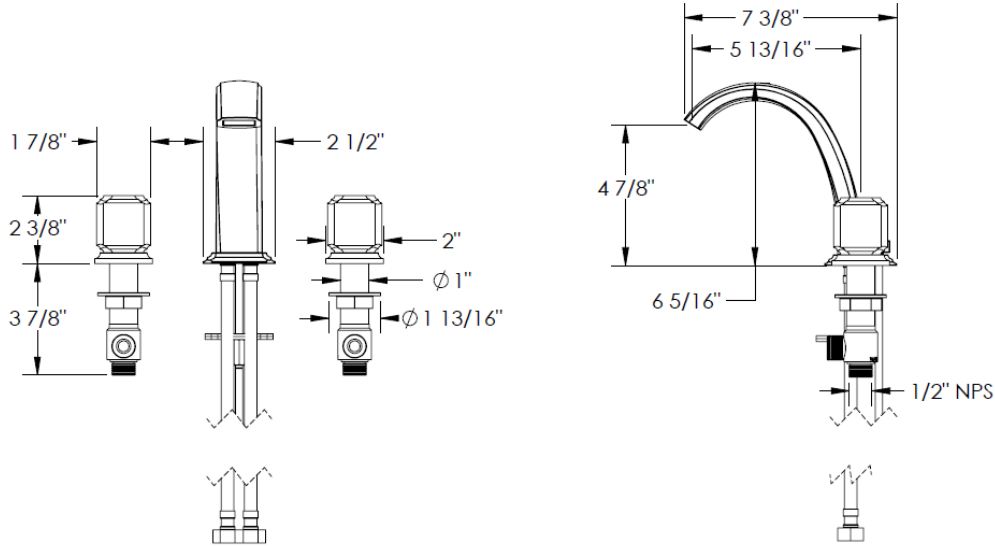


FEATURES

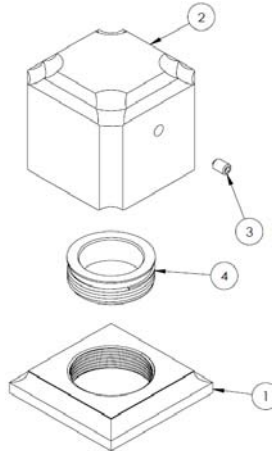
- ¼ turn washerless ceramic disc valve cartridges
- Flexible hose connection for 8" to 16" spread installations
- Flow rate 1.5 gpm (5.7 lpm) maximum flow rate
- Solid brass construction
- Listed by IAPMO, CSA, NSF, and other municipalities
- Warranty:
 - Limited lifetime warranty (residential use)
 - One year (commercial use)
- Shipping weight (lbs.) 10
- Shipping dimensions (in.): 29x12x4



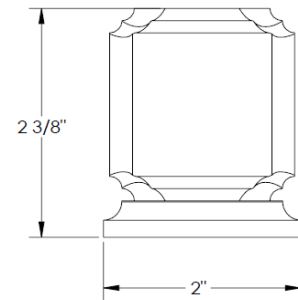
ITEM NO.	PART NUMBER	QTY.
1	203-2-SPT	1
2	203-2 SPOUT BASE	1
3	203-2 LIFT KNOB	1
6	SPT-MNTNG-KIT-1-SCRW	1
7	SPT-MNTNG-KIT-1-WSHR	1
8	SPT-MNTNG-KIT-1-RBBR-WSHR	1
9	SPT-MNTNG-KIT-1-NUT	1
10	SPPLY-HOSE-0.5-14-NPS	2
11	58.6310.1	2
12	142-LOCK-NUT	2
13H/13C	SS-502 Valve Body	2
14H/14C	SS-502 Cartridge	2

HANDLE TRIMS

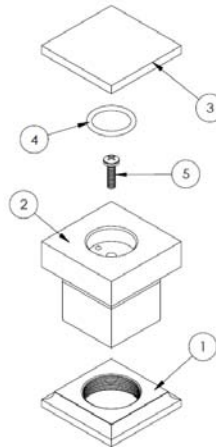
Valetin (Code: T1)



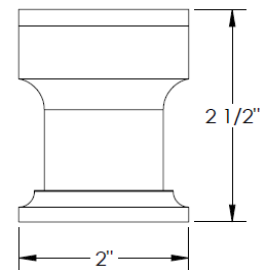
ITEM NO.	PART NUMBER	QTY.
1	T1-ESC	1
2	T1-KNOB	1
3	SSCUPSKT 0.164-32x0.25-HX-N	1
4	T1-ESC-ADAP	1



Louvre (Code: T4)



ITEM NO.	PART NUMBER	QTY.
1	T1-ESC	1
2	T4-KNOB	1
3	T4-KNOB-CAP	1
4	AS568 - 117	1
5	CR-PHMS 0.164-32x0.625x0.625-S	1



IMPORTANT INSTALLATION INFORMATION

- USE TEFLON TAPE OR PIPE SEALANT FOR THREADED CONNECTIONS
- DO NOT USE PLUMBER'S PUTTY ON ANY OF THE BRASS COMPONENTS
This will cause the finish to tarnish and void the warranty. A non-corrosive Alkoxy Silicone is recommended.
- DURING SWEATING OF LINES DO NOT OVERHEAT CASTING
Overheating may cause damage to internal mechanism
- COPPER ADAPTORS MAY BE REQUIRED TO COMPLETE YOUR INSTALLATION

For technical support, please call 718-257-2800

Rev. 1/1