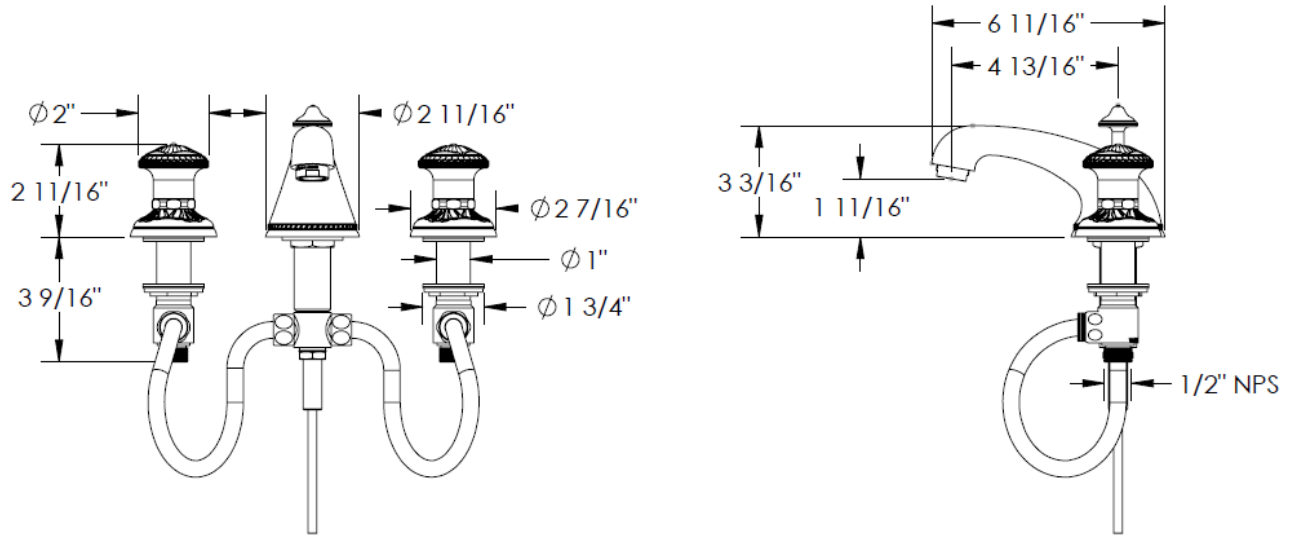


FEATURES

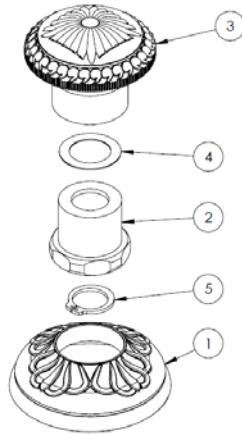
- ¼ turn washerless ceramic disc valve cartridges
- Flexible hose connection for 8" to 16" spread installations
- Flow rate 1.5 gpm (5.7 lpm) maximum flow rate
- Solid brass construction
- Listed by IAPMO, CSA, NSF, and other municipalities
- Warranty:
 - Limited lifetime warranty (residential use)
 - One year (commercial use)
- Shipping weight (lbs.) 10
- Shipping dimensions (in.): 29x12x4



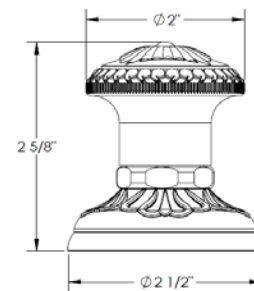
ITEM NO.	PART NUMBER	QTY.
1	150-2 SPOUT	1
4	172 BRASS WASHER	1
5	501-HEX-NUT	1
7	501-LIFT-ROD	1
8	502-AERTR-SHLL	1
9	502 T GASKET	1
10	502-TEE	1
11	502 LOCK NUT	1
12	O-018 O-RING	1
13	NEOPERL PCA PL STD	1
15	502AZ-LOCK-NUT	4
16	502AZ-RBBR-WSHR	4
17	502AZ-WSHR	4
19H/19C	SS-502AZ Valve Body	2
20H/20C	SS-502AZ Cartridge	2
21	502 FLEX HOSE	2

HANDLE TRIMS

Lago/Azhar (Code: AZ1)



ITEM NO.	PART NUMBER	QTY.
1	AZ1-ESC	1
2	AZ1-POST	1
3	AZ1-KNOB	1
4	AZ1-KNOB-WSHR	1
5	15mm External Retaining Ring	1



IMPORTANT INSTALLATION INFORMATION

- USE TEFLON TAPE OR PIPE SEALANT FOR THREADED CONNECTIONS
- DO NOT USE PLUMBER'S PUTTY ON ANY OF THE BRASS COMPONENTS
This will cause the finish to tarnish and void the warranty. A non-corrosive Alkoxy Silicone is recommended.
- DURING SWEATING OF LINES DO NOT OVERHEAT CASTING
Overheating may cause damage to internal mechanism
- COPPER ADAPTORS MAY BE REQUIRED TO COMPLETE YOUR INSTALLATION

For technical support, please call 718-257-2800

Rev. 1/1