

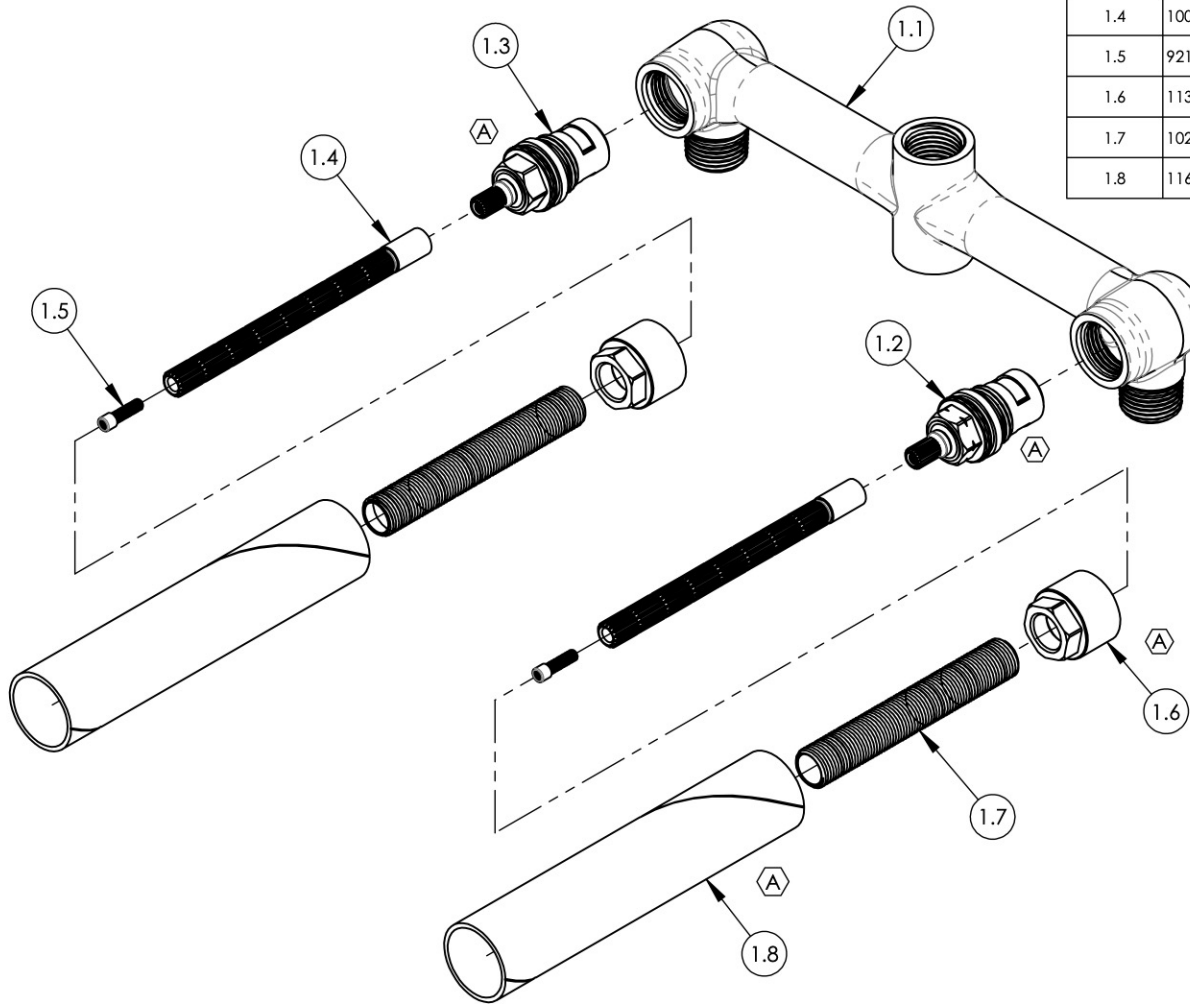
ITEM NO.	PART NO.	DESCRIPTION	QTY.
1	1-048	VALVE, INWALL TUB-SHOWER	1
1.1	10107	VALVE BODY, TUBE-SHOWER VALVE	1
1.2	11540	CARTRIDGE, 1/2"G 20PT HOT, HI-TRQ LLL, EXACTO	1
1.3	11541	CARTRIDGE, 1/2" 20PT COLD, HI-TRQ LLL, EXACTO	1
1.4	10054	STEM EXTENSION, 6" LONG 20PT INT. TO 16PT LONG EXT. BROACH	2
1.5	92157	SCREW, SMALL HD M4X0.7 - 1/2"L	2
1.6	11321	CARTRIDGE RETAINER NUT	2
1.7	10209	SHANK, NIPPLE THREAD ALL 9/16"-20UN WITH .433"ID	2
1.8	11648	MUD GUARD, CARDBOARD, LONG	2

A

B

C

D



C3	A	UPDATED CARTRIDGES, RETAINER NUT AND MUD GUARDS	2/22/2018	RAH
ZONE	REV.	DESCRIPTION	DATE	APPROVED

REVISIONS

PROPRIETARY AND CONFIDENTIAL

THE INFORMATION CONTAINED IN THIS DRAWING IS THE SOLE PROPERTY OF RSS MANUFACTURING. ANY REPRODUCTION IN PART OR AS A WHOLE WITHOUT THE WRITTEN PERMISSION OF RSS MANUFACTURING IS PROHIBITED.

1261 LOGAN AVENUE
COSTA MESA, CALIFORNIA 92626
PHONE: 714.361.4800
FAX: 714.617.3120



MANUFACTURING

INTERPRET GEOMETRIC DIMENSIONING & TOLERANCING IN ACCORDANCE WITH ASME Y14.5-2009 & ASME Y14.41-2003 STANDARDS. UNLESS OTHERWISE SPECIFIED, DIMENSIONS ARE IN INCHES. TOLERANCES ARE:			
FRACTIONS ±1/64"	DECIMALS X.X: ±.1 X.XX: ±.01 X.XXX: ±.005	ANGULAR ±.5°	
NEXT ASSY	USED ON		
APPLICATION			
MATERIAL		NAME	DATE
FINISH		MAF	4/17/2014
DO NOT SCALE DRAWING	CHECKED		

WALL SHOWER/WALL TUB VALVE

SIZE	ASM/PRT NO.	REV
A	8090536R	A

SCALE: 1:2.5	WEIGHT: lbs.	SHEET 1 OF 2
--------------	--------------	--------------

5

4

3

2

1