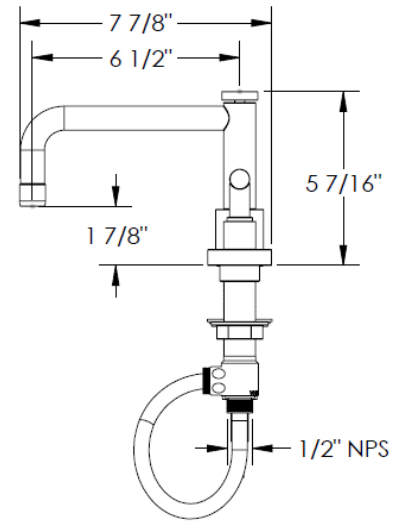
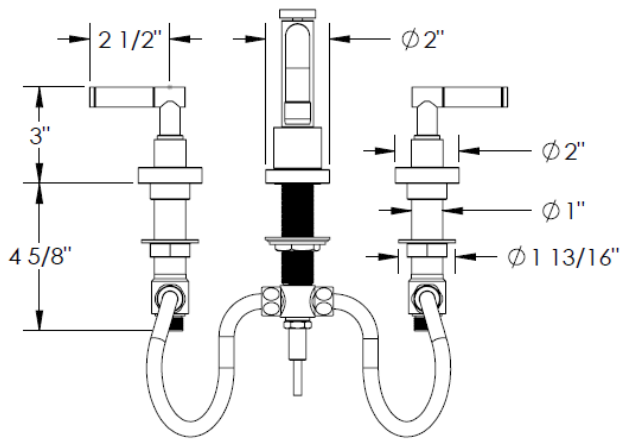


### FEATURES

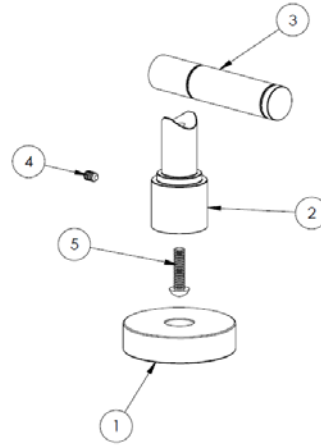
- ¼ turn washerless ceramic disc valve cartridges
- Flexible hose connection for 8" to 16" spread installations
- Flow rate 1.5 gpm (5.7 lpm) maximum flow rate
- Solid brass construction
- Listed by IAPMO, CSA, NSF, and other municipalities
- Warranty:
  - Limited lifetime warranty (residential use)
  - One year (commercial use)
- Shipping weight (lbs.) 10
- Shipping dimensions (in.): 29x12x4



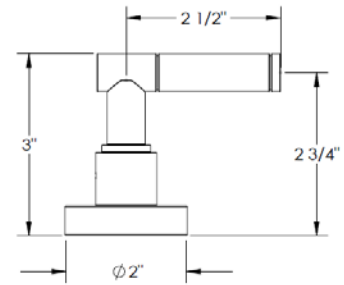
ITEM NO.	PART NUMBER	QTY.
7	24-2 SPOUT	1
8	24-2.2 AERATOR	1
9	24-2 LIFT KNOB	1
14	NEOPERL PERLATOR JR	1
15	501 AERATOR WASHER	1
17	502 FLEX HOSE	2
20	AS568 - 018	1
21	172 BRASS WASHER	1
22	501-HEX-NUT	1
23	502 T GASKET	1
24	502-TEE	1
25	502 LOCK NUT	1
26	1.9IN OD PLASTIC GASKET	1
27	24-2-RBBR-WSHR	1
28	142-LOCK-NUT	2
29H/29C	SS-502 Valve Body	2
30H/30C	SS-502 Cartridge	2
47	L4-TOP-LOCK-NUT	2
48	24-2-RBBR-GSKT	1

### HANDLE TRIMS

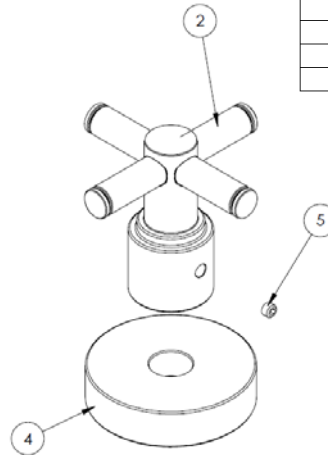
#### Mercer (Code: L4)



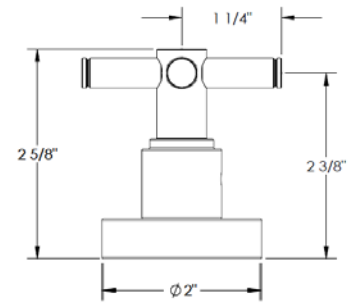
ITEM NO.	PART NUMBER	QTY.
1	L4-ESC	1
2	L4-POST	1
3	L4-LVR	1
4	SSCUPSKT 0.164-32x0.25-HX-S	1
5	CR-RHMS 0.19-24x0.75x0.75-S	1



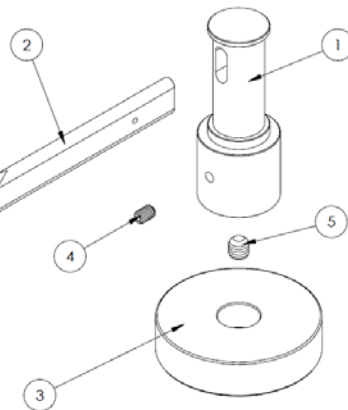
#### Lafayette (Code: L5)



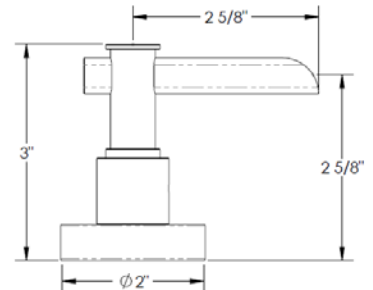
ITEM NO.	PART NUMBER	QTY.
2	L5-ARM	1
4	L4-ESC	1
5	SSCUPSKT 0.164-32x0.125-HX-N	1



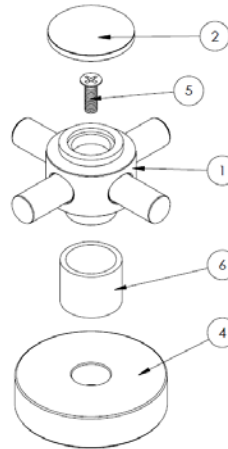
#### Crosby (Code: L6)



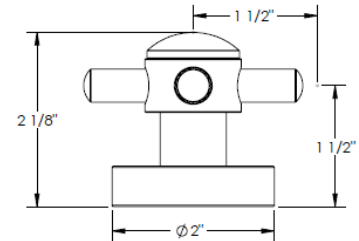
ITEM NO.	PART NUMBER	QTY.
1	L6-POST	1
2	L6-LVR	1
3	L4-ESC	1
4	SSCUPSKT 0.164-32x0.25-HX-S	1
5	SSCUPSKT 0.25-20x0.25-HX-S	1



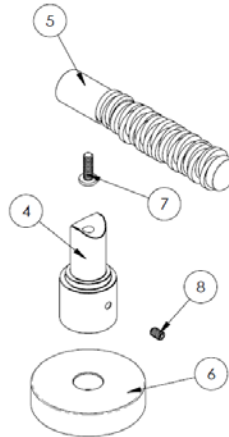
### Soho (Code: U8)



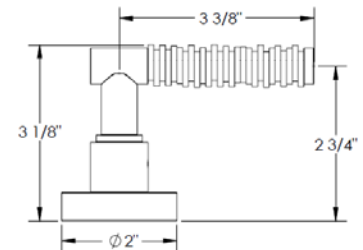
ITEM NO.	PART NUMBER	QTY.
1	X-POST	1
2	SA2-POST-CAP	1
4	L4-ESC	1
5	CR-FHM1 0.164-32x0.5x0.5-S	1
6	U8-POST-ADAP	1



### Classic Contemporary (Code: CC51)



ITEM NO.	PART NUMBER	QTY.
4	L4-POST	1
5	CC51-POST-TOP	1
6	L4-ESC	1
7	CR-PHMS 0.164-32x0.5x0.5-S	1
8	SSCUPSKT 0.164-32x0.25-HX-S	1



#### **IMPORTANT INSTALLATION INFORMATION**

- USE TEFLON TAPE OR PIPE SEALANT FOR THREADED CONNECTIONS
- DO NOT USE PLUMBER'S PUTTY ON ANY OF THE BRASS COMPONENTS  
This will cause the finish to tarnish and void the warranty. A non-corrosive Alkoxy Silicone is recommended.
- DURING SWEATING OF LINES DO NOT OVERHEAT CASTING  
Overheating may cause damage to internal mechanism
- COPPER ADAPTORS MAY BE REQUIRED TO COMPLETE YOUR INSTALLATION

**For technical support, please call 718-257-2800**

Rev. 1/1