

Lavatory Ensemble Model K109_014

FEATURES

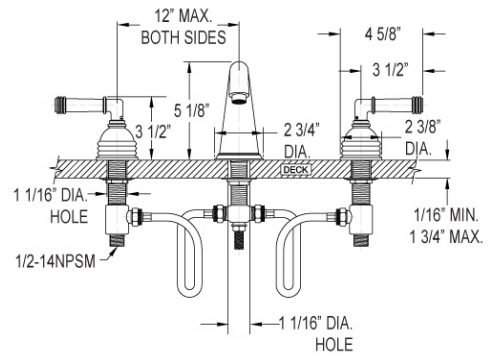
- Style: Deco Decor
- Collection: Swing
- Temperature controlled by handles
- 1-1/16" (27mm) hole size for spout
- 1-1/16" (27mm) hole size for valves
- 12" (305mm) maximum centers
- Pop-up drain with lift rod and tailpiece
- 1.5 gpm @ 60 psi



COLOR FINISHES

- Polished Nickel (K109_014)
- Satin Nickel (K109_015)
- Pewter (K109_15A)
- Polished Chrome (K109_026)
- Polished Brass (K109_003)
- Polished Brass Antiqued (K109_007)
- Satin Brass (K109_004)
- Polished Gold (K109_025)
- Polished Gold Antiqued (K109_25D)
- Satin Gold (K109_024)
- Satin Gold Antiqued (K109_24D)
- Satin Jeweler's Gold (K109_24J)
- Old English Brass (K109_OEB)
- Antique Brass (K109_047)
- Antique Bronze (K109_11B)

Image shown may not be in the finish selected



WARRANTY

- Limited Lifetime

COMPLIES WITH

- CA AB 1953-CERTIFIED
- ADA
- A112.18.1-05/CSA B125.1-2005-CERTIFIED
- cUPC-CERTIFIED
- UPC-CERTIFIED
- EPA WaterSense-CERTIFIED

