

### Lavatory Ensemble Model D102\_003

#### FEATURES

- Style: Revival Grandeur
- Collection: Revere & Savannah
- Temperature controlled by handles
- 1-1/16" (27mm) hole size for spout
- 1-1/16" (27mm) hole size for valves
- 12" (305mm) maximum centers
- Pop-up drain with lift rod and tailpiece
- 1.5 gpm @ 60 psi



#### COLOR FINISHES

- Polished Nickel (D102\_014)
- Satin Nickel (D102\_015)
- Pewter (D102\_15A)
- Polished Chrome (D102\_026)
- Polished Brass (D102\_003)
- Old English Brass (D102\_OEB)
- Antique Brass (D102\_047)
- Antique Bronze (D102\_11B)

Image shown may not be in the finish selected

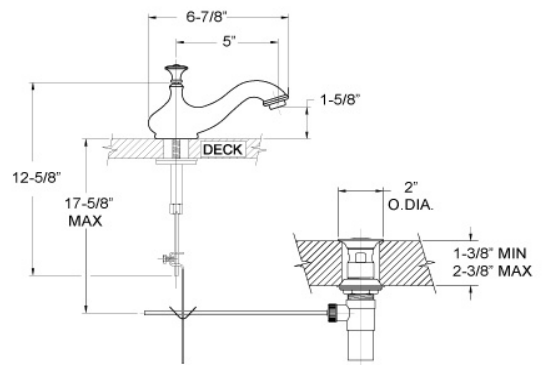
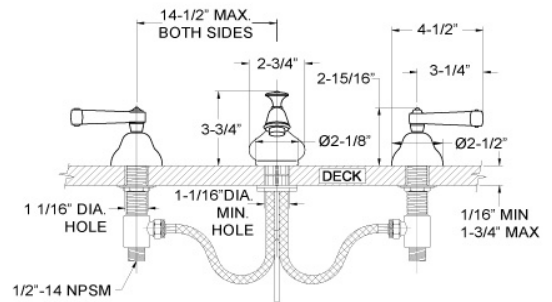
**D102**

#### WARRANTY

- Limited Lifetime

#### COMPLIES WITH

- CA AB 1953-CERTIFIED
- ADA
- ANSI/NSF61-CERTIFIED
- A112.18.1-05/CSA B125.1-2005-CERTIFIED
- cUPC-CERTIFIED
- UPC-CERTIFIED
- EPA WaterSense-CERTIFIED
- VT S152



Doralfe Specifications 0304

