

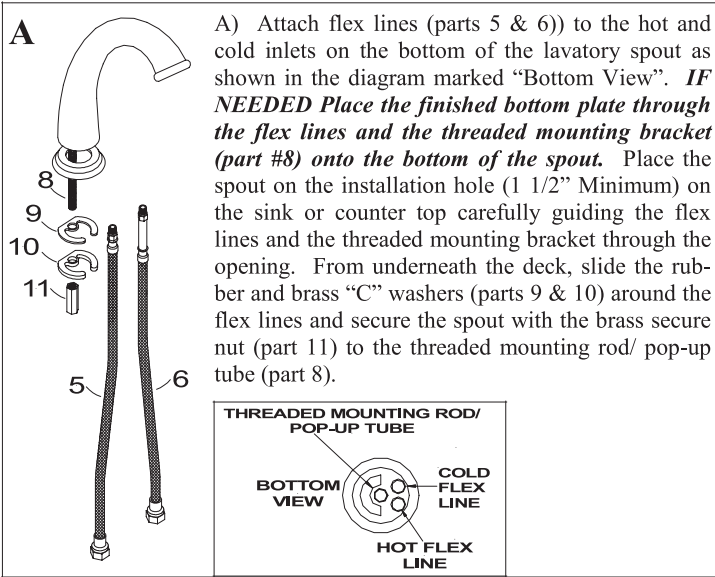
PHYLIRICH®

Defining Luxury Since 1959

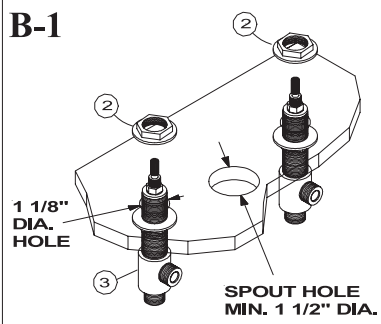
INSTALLATION INSTRUCTIONS FOR LAVATORY FAUCETS TEELESS ASSEMBLY

1261 Logan Ave, Costa Mesa, CA 92626
Telephone: 714-361-4830 Fax: 714-617-3120
www.phylrich.com

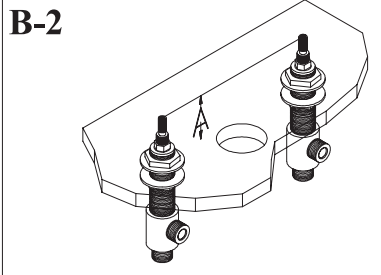
LAVATORY INSTALLATION GUIDE



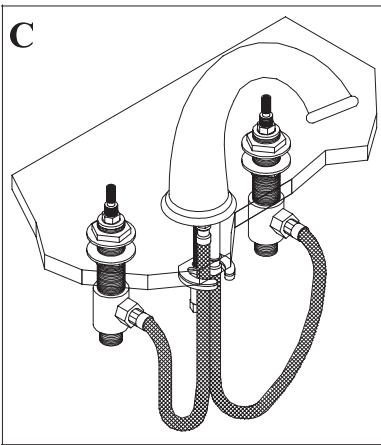
A) Attach flex lines (parts 5 & 6) to the hot and cold inlets on the bottom of the lavatory spout as shown in the diagram marked "Bottom View". **IF NEEDED Place the finished bottom plate through the flex lines and the threaded mounting bracket (part #8) onto the bottom of the spout.** Place the spout on the installation hole (1 1/2" Minimum) on the sink or counter top carefully guiding the flex lines and the threaded mounting bracket through the opening. From underneath the deck, slide the rubber and brass "C" washers (parts 9 & 10) around the flex lines and secure the spout with the brass secure nut (part 11) to the threaded mounting rod/ pop-up tube (part 8).



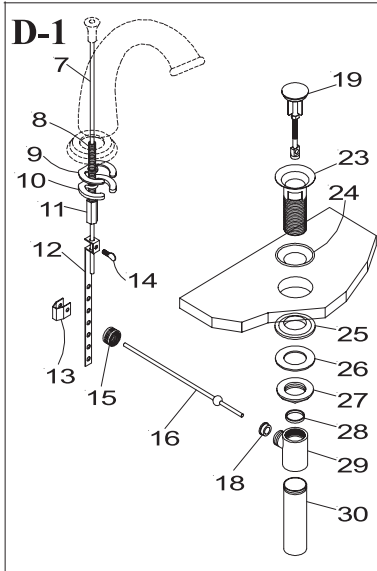
B) Remove the top-fastening nut (part 2) from the lavatory valve. Insert from below through the hole in the counter top or lavatory. Reinstall top fastening nut setting the valve to the proper height "A" as shown in Diagram B-2 to fit your individual lavatory faucet. Set the height by adjusting bottom-fastening nut. **You may need to cut the all broached stem to acquire the specified height listed in this brochure.** Secure the valve by tightening the top-fastening nut. Repeat this procedure for the remaining valve.



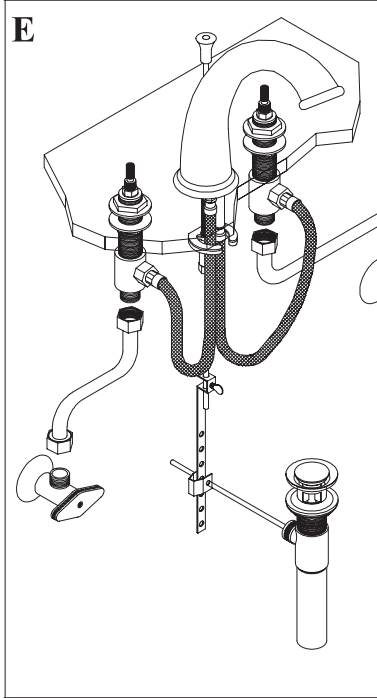
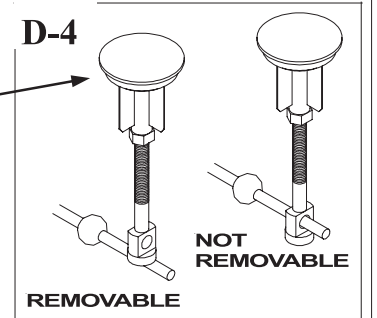
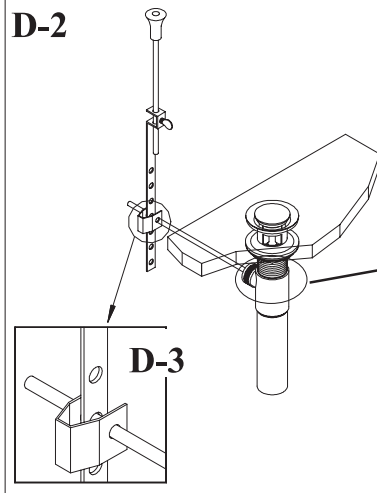
Note:
All lever handle sets are supplied with one right hand valve (cold: turns on counter-clockwise) and one left hand valve (hot: turns on clockwise). Install valve with the blue tag on the cold side.



C) Connect the hot and cold flex lines from the spout to the appropriate valve outlet. **FLEX LINES MUST NOT BE KINKED.** Install escutcheons onto the valve and hand tighten. Do not over-tighten. Install handles onto valve stems.

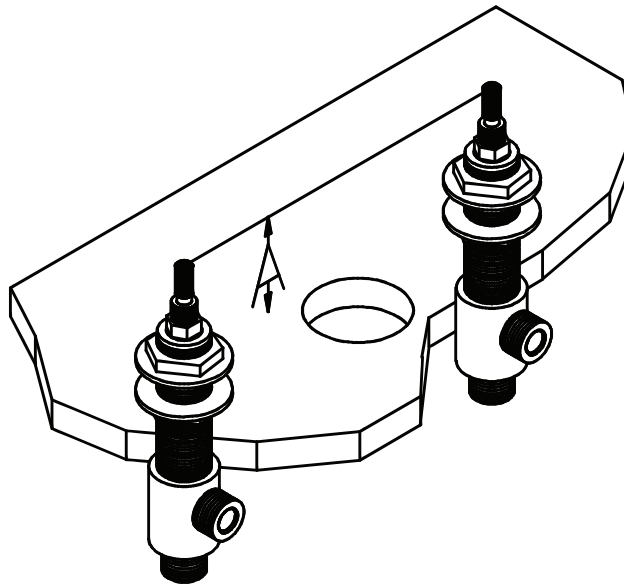


D) Remove the drain rim (part 23) and the drain plug (part 19) from the complete drain assembly. Insert drain rim and the white teflon washer (parts 23 & 24) into the drain hole. From below the basin slip the rubber and stainless steel washer (parts 25 & 26) onto the drain rim. Secure these parts by tightening the drain nut (part 27). Attach the mid-drain section (part 29) to the drain rim with drain gasket between (part 28). Install drain plug (part 19) into drain assembly and insert ball rod (part 16) into or under the hole in the bottom of the drain plug [Please see Diagram D-4]. Secure ball rod by hand tightening nut (part 15). Place pop-up rod (part 7) and knob through the spout attaching the pop-up rod extension (part 12) with thumb screw (part 14). Slip the secure clip (part 13) onto the back of the ball rod (part 16) to join with the pop-up rod extension [Please see Diagram D-3].



E) Flush hot and cold supply lines before connecting faucet to supply risers [WARNING: Failure to do so could result in valve failure and will void the warranty]. Connect the supply risers to the bottom of the lavatory valves. Connect your waste supply to the tailpiece extension tube.

ROUGH IN SPECIFICATIONS FOR LAVATORY SETS



ALL PHYLRICH VALVE INSTALLATIONS MUST FOLLOW THE ABOVE
 DIAGRAM AND MEASUREMENTS FOR "A" LISTED BELOW.
 CONSULT THE TRIM NUMBER FOR THE CORRECT MEASUREMENT.

<u>PRODUCT</u>	<u>ROUGH IN</u>	<u>PRODUCT</u>	<u>ROUGH IN</u>	<u>PRODUCT</u>	<u>ROUGH IN</u>	<u>PRODUCT</u>	<u>ROUGH IN</u>
K101	2-1/2"	K160	2-1/4"	K274	3-1/8"		
K109	2-1/2"	K161	2-1/4"	K280	2-7/8"		
K110	2-1/2"	K162	2-1/4"	K291	2-13/16"		
K120	2-1/2"	K163	2-1/4"	K291A	2-13/16"		
K120A	2-1/2"	K170	2-1/2"	K310	2-5/8"		
K121	2-1/2"	K171	2-1/2"	K311	2-5/8"		
K121A	2-1/2"	K180	2-7/8"	K314	2-5/8"		
K123	2-5/8"	K181	2-7/8"	K330	3-1/8"		
K124A	2-5/16"	K183	2-7/8"	K331	3-1/8"		
K124B	2-5/16"	K184	2-1/2"	K332	3-1/8"		
K124C	2-5/16"	K190	2-1/2"	K333	3-1/8"		
K124D	2-5/16"	K190A	2-1/2"	K334	3-1/8"		
K124F	2-5/16"	K191	2-1/2"	K337	2-1/2"		
K125	2-5/16"	K191A	2-1/2"	K337SF	2-1/2"		
K126	2-5/16"	K211	2-13/16"	K338A	2-5/8"		
K135	2-1/4"	K230	2-5/8"	K338B	2-5/8"		
K137	2-1/2"	K231	2-5/8"	K338C	2-5/8"		
K137SF	2-1/2"	K234	2-5/8"	K338D	2-5/8"		
K141	2-5/16"	K240	3-1/8"	K338F	2-5/8"		
K144	2-7/16"	K241	3-1/8"	K341	2-13/16"		
K153	2-5/16"	K242	3-1/8"	K360	2-5/16"		
K154	2-5/16"	K243	3-1/8"	K361	2-5/16"		
K155	2-5/16"	K244	3-1/8"	K370	3-1/8"		
K156	2-5/16"	K251	2-11/16"	K371	3-1/8"		
K157	2-5/16"	K261	2-11/16"	K372	3-1/8"		
K158A	2-1/4"	K270	3-1/8"	K373	3-1/8"		
K158B	2-1/4"	K271	3-1/8"	K374	3-1/8"		
K158C	2-1/4"	K272	3-1/8"	K392	2-1/2"		
K158D	2-1/4"	K273	3-1/8"	K393	2-1/2"		
K158F	2-1/4"						

<u>DORALFE PRODUCTS</u>	
D100	2-1/4"
D102	2-1/4"
D103	2-1/4"
D111	2-1/4"
D200	2-1/4"
D202	2-1/4"
D203	2-1/4"
D211	2-1/4"