

# 3838ANEOB – EVERYDAY SHOWER PANS

inches (mm)

38 x 38 x 6 (965 x 965 x 150) • Fax on Demand #1222



Shown with optional brass drain assembly.

## FEATURES

- Shower pan
- Slip-resistant, textured bottom
- Neo-angle corner design
- Extended tiling flange (2T)
- Enhanced front profile
- Patented design features:
  - corner drainage channels
  - step-design finishing guides
  - extended nailing flange
- Center drain
- Acrylic surface
- 5-year limited warranty

## OPTIONS

- Brass drain assembly and cover

## AQUATIC ADVANTAGE

- National distribution
- 5 manufacturing facilities
- Private fleet
- Centralized customer service
- Field support
- 24-hour fax-on-demand

## COLOR OPTIONS

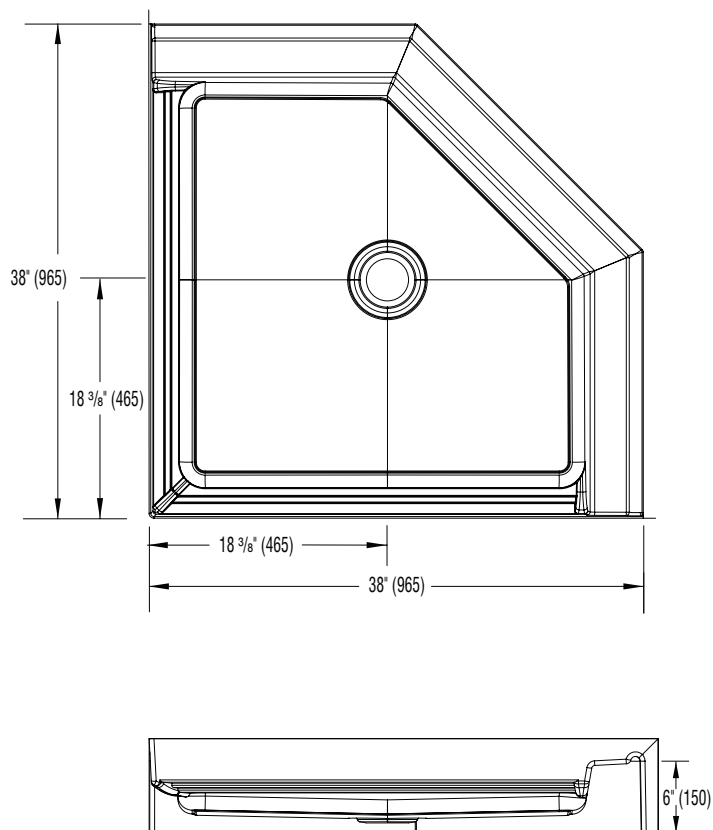
### Stock

Almond  
Biscuit/Linen  
Bone  
White



# 3838ANEOB

38 x 38 x 6 (965 x 965 x 150)  
inches (mm)



**FEATURES** lbs (kg) Dimensional Tolerance  $\pm \frac{3}{8}$ ". Dimensions needed for site preparation should be measured from the unit. Aquatic assumes no responsibility for preparatory work.

| Model #               | Material | Drain  | Net Wt. | Pkg. Wt. |
|-----------------------|----------|--------|---------|----------|
| Shower Pan #3838ANEOB | Acrylic  | Center | 27 (12) | 32 (15)  |

## DIMENSIONS

| Specifications                  | inches (mm)         |
|---------------------------------|---------------------|
| Width: Overall / Net            | 38 (965)            |
| Depth: Overall / Net            | 38 (965)            |
| Height: Overall / Net           | 7 ¼ (185) / 6 (150) |
| Enclosure Opening               | -                   |
| Skirt Height                    | 6 (150)             |
| Drain Rough-In (from Back Wall) | 18 ¾ (465)          |
| Drain Rough-In (from Side Wall) | 18 ¾ (465)          |
| Drain: Diameter / Clearance     | 3 ¼ (85) / 3/4 (20) |

## FRAMING DIMENSIONS inches (mm)

| Type   | D<br>Depth  | W<br>Width  | H<br>Height | A       | B          | C          |
|--------|-------------|-------------|-------------|---------|------------|------------|
| Corner | 38<br>(965) | 38<br>(965) | -           | Box Out | 18 ¾ (465) | 18 ¾ (465) |

