

3636 ANEO – EVERYDAY SHOWER PANS

inches (mm)

36 x 36 x 4 (915 x 915 x 100) • Fax on Demand #1249



Shown with optional brass drain assembly.

FEATURES

- Shower pan
- Slip-resistant, textured bottom
- Neo-angle corner design
- Integral tiling flange (2T)
- Reduces Threshold for Easy Step-in
- Patented design features:
 - corner drainage channels
 - step-design finishing guides
- Center drain
- Acrylic surface
- 5-year limited warranty

OPTIONS

- Brass drain assembly and cover

AQUATIC ADVANTAGE

- National distribution
- 5 manufacturing facilities
- Private fleet
- Centralized customer service
- Field support
- 24-hour fax-on-demand

COLOR OPTIONS

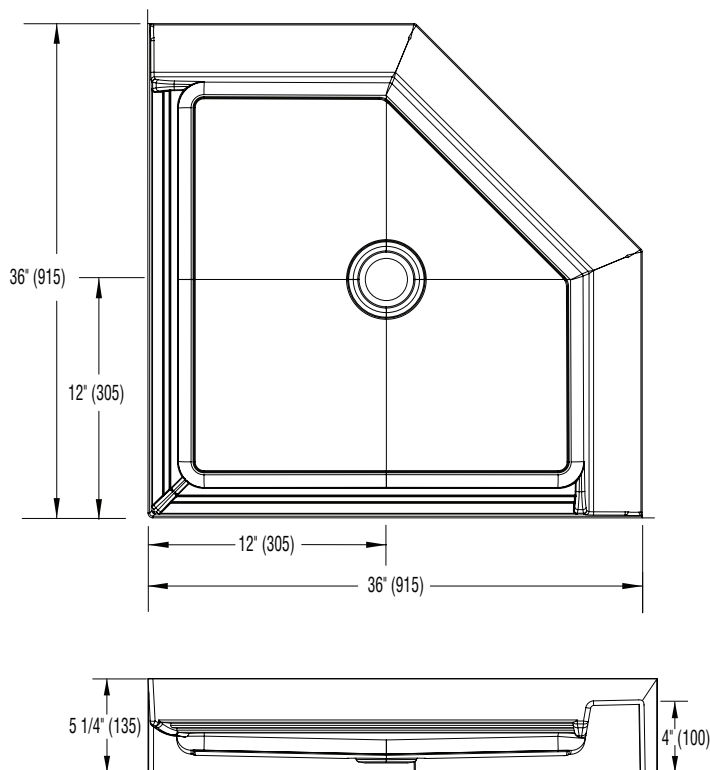
Stock

Almond
Biscuit/Linen
Bone
White



3636ANE0

36 x 36 x 5 1/4 (915 x 915 x 135)
inches (mm)



FEATURES lbs (kg) Dimensional Tolerance $\pm \frac{3}{8}$ ". Dimensions needed for site preparation should be measured from the unit. Aquatic assumes no responsibility for preparatory work.

Model #	Material	Drain	Net Wt.	Pkg. Wt.
Shower Pan #3636ANE0	Acrylic	Center	25 (11)	30 (13)

DIMENSIONS

Specifications	inches (mm)
Width: Overall / Net	36 (915)
Depth: Overall / Net	36 (915)
Height: Overall / Net	5 1/4 (135) / 4 (100)
Enclosure Opening	-
Skirt Height	4 (100)
Drain Rough-In (from Back Wall)	12 (305)
Drain Rough-In (from Side Wall)	12 (305)
Drain: Diameter / Clearance	3 1/4 (80) / 1/2 (10)

FRAMING DIMENSIONS inches (mm)

Type	D Depth	W Width	H Height	A	B	C
Corner	36 (915)	36 (915)	-	Box Out	12 (305)	12 (305)

