

# VELENCIA II – BUILDERS' CHOICE

inches (mm)

74 x 44 3/8 x 19 1/2 (1880 x 1125 x 495) • Fax on Demand #5097

SOAKER MODEL #8774620

WHIRLPOOL MODEL #8774621



## FEATURES (ALL MODELS)

- Slip-resistant floor
- Pre-leveled base
- Lucite® cast acrylic surface
- Limited 10-year warranty
- UL and IAPMO listed

## OPTIONS

- Comfort pillow:  
Biscuit, Black, White
- 1.5kW inline maintenance heater  
(whirlpool only)
- Lift & turn waste & overflow:  
Chrome, Oil Rubbed Bronze,  
Polished Brass, Brushed Nickel
- Cable drive waste & overflow:  
Chrome, Oil Rubbed Bronze,  
Polished Brass, Brushed Nickel,  
Color Matched (Biscuit, Bone, White)
- Optional pump location

## AQUATIC ADVANTAGE

- National distribution
- 6 manufacturing facilities
- Private fleet
- Centralized customer service
- Field support
- 24-hour fax-on-demand

## COLOR & TRIM OPTIONS

Stock

Almond (C)  
Bone (C)  
Biscuit (C)  
White (C)

C = Color Matched Trim

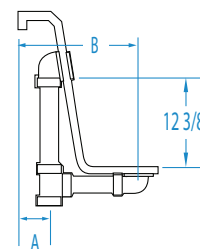
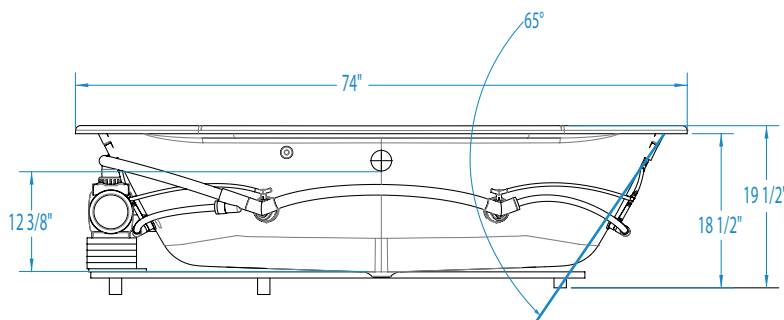
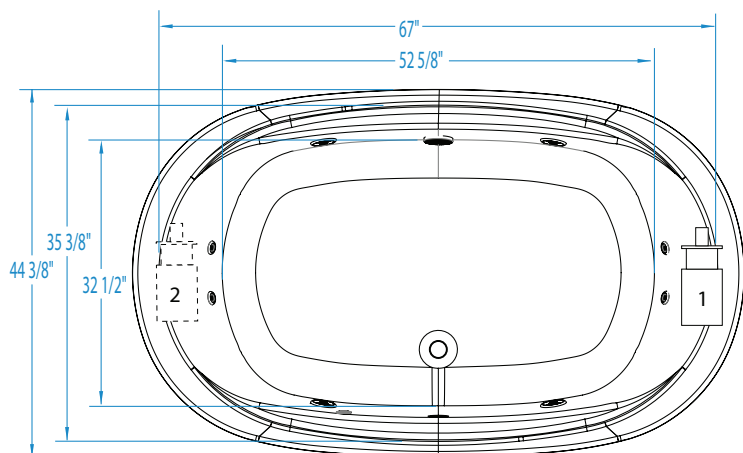
## AVAILABLE SYSTEM

### WHIRLPOOL

- 8 whirlpool hydrotherapy jets including:
  - High-flow directional jets
  - Low-profile spinning micro-jets
- .75 hp pump
- Pneumatic on/off control
- Advanced safety suction system
- Factory run-tested



# VELENCIA II

 74 x 44 <sup>3</sup>/<sub>8</sub> x 19 <sup>1</sup>/<sub>2</sub> (1880 x 1125 x 495)  
 inches (mm)

**FEATURES** lbs (kg) Dimensional Tolerance ± 3/8". Dimensions needed for site preparation should be measured from the unit. Aquatic assumes no responsibility for preparatory work.

Type and Model #	Material	Jets	Pump	Air System	Heater	Controls	Drain	Pkg. Wt.
Soaker #8774620	Acrylic	0	–	–	–	–	Center Front	86 (39)
Whirlpool #8774621	Acrylic	8	0.75 HP	–	1.5kW inline (optional)	Pneumatic	Center Front	136 (62)

**DIMENSIONS** inches (mm)

Width Overall / Net	Depth Overall / Net	Height Overall / Net	Skirt Height
74 (1880)	44 <sup>3</sup> / <sub>8</sub> (1125)	19 <sup>1</sup> / <sub>2</sub> (495)	–

**SUMP DATA** inches (mm)

Capacity to Overflow gal (ltr)	Min. Operating Capacity gal (ltr)	WIDTH @ centerline		DEPTH @ centerline	
		Top	Bottom	Top	Bottom
84 (318)	52 (197)	67 (1700)	52 <sup>5</sup> / <sub>8</sub> (1335)	35 <sup>3</sup> / <sub>8</sub> (900)	32 <sup>1</sup> / <sub>2</sub> (825)

**PLUMBING DIMENSIONS** inches (mm)

A	B	Drain to Overflow	Drain Diameter / Clearance
3 <sup>1</sup> / <sub>2</sub> (90)	6 <sup>1</sup> / <sub>8</sub> (155)	12 <sup>3</sup> / <sub>8</sub> (315)	2 (50) / 1 <sup>1</sup> / <sub>4</sub> (30)

**ELECTRICAL DATA**

Component	Specification	Requirement
Pump	.75 HP; 5 AMP; 120 V	15 AMP; 120V, separate circuit; Class A GFCI
Optional Heater (whirlpool model)	1.5KW; 12 AMP; 120 V	15 AMP; 120V, separate circuit; Class A GFCI

**NOTES:**

1) Where applicable, utilize cut-out templates packed with unit for deck cutouts.

2) 16 x 16 (405 x 405) minimum access required at pump/blower location(s).