

# VELENCIA 1.5 – BUILDERS' CHOICE

inches (mm)

65 ¾ x 43 ¾ x 19 ½ (1670 x 1100 x 495) • Fax on Demand #5096

SOAKER MODEL #8666620

WHIRLPOOL MODEL #8666621



## FEATURES (ALL MODELS)

- Slip-resistant floor
- Pre-leveled base
- Lucite® cast acrylic surface
- Limited 10-year warranty
- UL and IAPMO listed

## OPTIONS

- Comfort pillow:  
Biscuit, Black, White
- 1.5kW inline maintenance heater  
(whirlpool only)
- Lift & turn waste & overflow:  
Chrome, Oil Rubbed Bronze,  
Polished Brass, Brushed Nickel
- Cable drive waste & overflow:  
Chrome, Oil Rubbed Bronze,  
Polished Brass, Brushed Nickel,  
Color Matched (Biscuit, Bone, White)

## AQUATIC ADVANTAGE

- National distribution
- 6 manufacturing facilities
- Private fleet
- Centralized customer service
- Field support
- 24-hour fax-on-demand

## COLOR & TRIM OPTIONS

Stock

Almond (C)  
Bone (C)  
Biscuit (C)  
White (C)

C = Color Matched Trim

## AVAILABLE SYSTEM

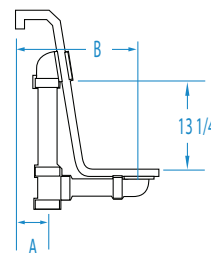
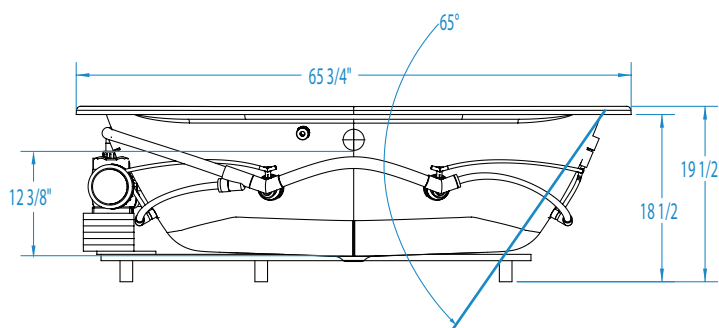
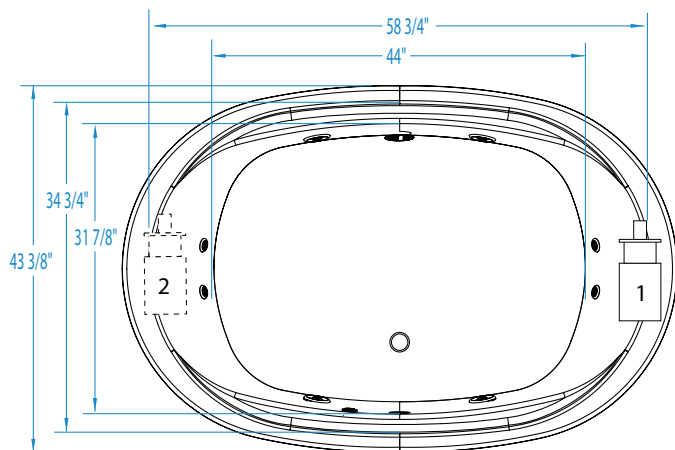
### WHIRLPOOL

- 8 whirlpool hydrotherapy jets including:
  - High-flow directional jets
  - Low-profile spinning micro-jets
- .75 hp pump
- Pneumatic on/off control
- Advanced safety suction system
- Factory run-tested



# VELENCIA 1.5

65 3/4 x 43 3/8 x 19 1/2 (1670 x 1100 x 495)  
inches (mm)



**FEATURES** lbs (kg) Dimensional Tolerance  $\pm 3/8$ ". Dimensions needed for site preparation should be measured from the unit. Aquatic assumes no responsibility for preparatory work.

Type and Model #	Material	Jets	Pump	Air System	Heater	Controls	Drain	Pkg. Wt.
Soaker #8666620	Acrylic	0	–	–	–	–	Center Front	79 (36)
Whirlpool #8666621	Acrylic	8	0.75 HP	–	1.5kW inline (optional)	Pneumatic	Center Front	129 (59)

## DIMENSIONS inches (mm)

Width Overall / Net	Depth Overall / Net	Height Overall / Net	Skirt Height
65 3/4 (1670)	43 3/8 (1100)	19 1/2 (495)	–

## SUMP DATA inches (mm)

Capacity to Overflow gal (ltr)	Min. Operating Capacity gal (ltr)	WIDTH @ centerline		DEPTH @ centerline	
		Top	Bottom	Top	Bottom
69 (261)	46 (174)	58 3/4 (1490)	44 (1120)	34 3/4 (885)	31 7/8 (810)

## PLUMBING DIMENSIONS inches (mm)

A	B	Drain to Overflow	Drain Diameter / Clearance
3 1/2 (90)	7 (180)	12 3/8 (315)	2 (50) / 1 1/4 (30)

## ELECTRICAL DATA

Component	Specification	Requirement
Pump	.75 HP; 5 AMP; 120 V	15 AMP; 120V, separate circuit; Class A GFCI
Optional Heater (whirlpool model)	1.5KW; 12 AMP; 120 V	15 AMP; 120V, separate circuit; Class A GFCI

**NOTES:**

1) Where applicable, utilize cut-out templates packed with unit for deck cutouts.

2) 16 x 16 (405 x 405) minimum access required at pump/blower location(s).