

MONTROSE II – BUILDERS' CHOICE

inches (mm)

72 x 36 x 21 ¾ (1830 x 915 x 550) • Fax on Demand #5039

SOAKER MODEL #4272620

WHIRLPOOL MODEL #4272621

AIR BATH MODEL #4272620A



FEATURES (ALL MODELS)

- Slip-resistant floor
- Pre-leveled base
- Lucite® cast acrylic surface
- Limited 10- year warranty
- UL and IAPMO listed

OPTIONS

- Comfort pillow: Biscuit, Black, White
- 1.5kW inline maintenance heater (whirlpool only)
- Grab bar(s): Chrome, Oil Rubbed Bronze, Polished Brass, Brushed Nickel, Color matched (Biscuit, White, Acrylic)
- Cable drive waste & overflow: Chrome, Oil Rubbed Bronze, Polished Brass, Brushed Nickel, Color Matched (Biscuit, Bone, White)
- Lift & turn waste & overflow: Chrome, Oil Rubbed Bronze, Polished Brass, Brushed Nickel
- Tile flange
- Acrylic skirt

AQUATIC ADVANTAGE

- National distribution
- 6 manufacturing facilities
- Private fleet
- Centralized customer service
- Field support
- 24-hour fax-on-demand

COLOR & TRIM OPTIONS

Stock

Almond (C)
Bone (C)
Biscuit (C)
White (C)

C = Color Matched Trim

AVAILABLE SYSTEMS

WHIRLPOOL

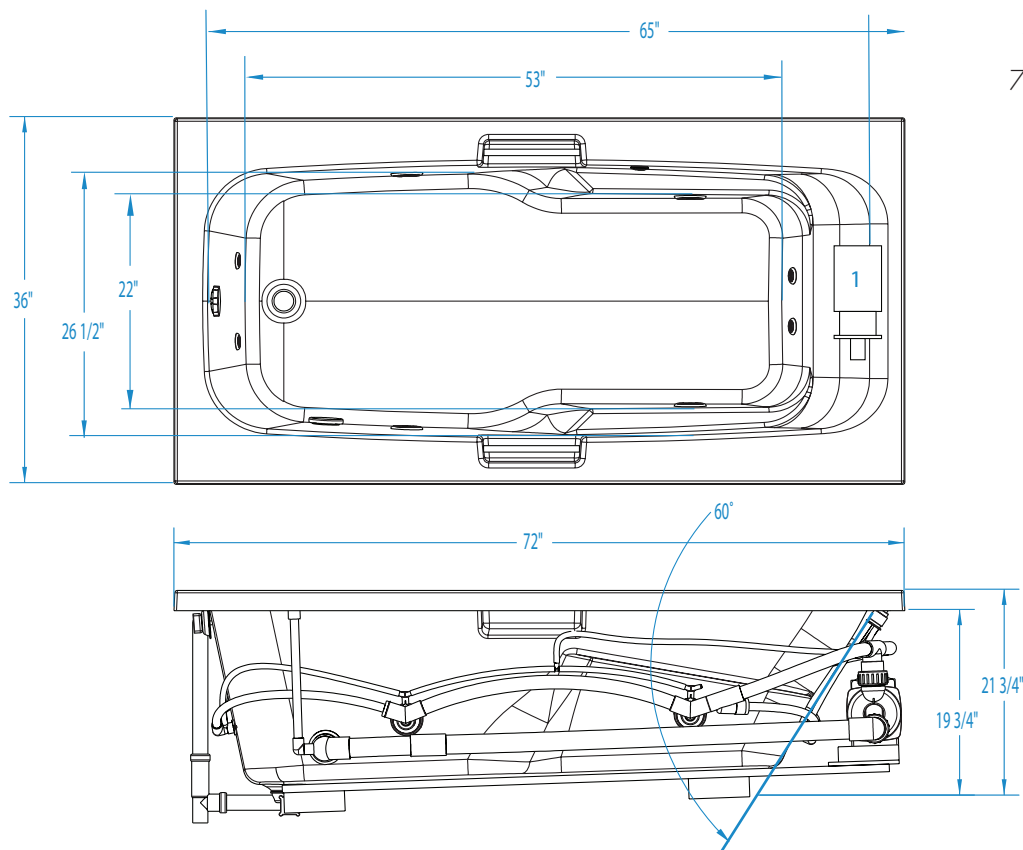
- 8 whirlpool hydrotherapy jets including:
 - High-flow directional jets
 - Low-profile spinning micro-jets
 - .75 hp pump
 - Pneumatic on/off control
 - Advanced safety suction system
 - Factory run-tested

AIR BATH

- Perimeter air channel lined with antimicrobial coating
- Single-speed heated-air blower with automated purge-and-dry cycle
- Pneumatic on/off control
- Factory run-tested



MONTROSE II

 72 x 36 x 21 3/4 (1830 x 915 x 550)
 inches (mm)

FEATURES lbs (kg) Dimensional Tolerance ± 3/8". Dimensions needed for site preparation should be measured from the unit. Aquatic assumes no responsibility for preparatory work.

Type and Model #	Material	Jets	Pump	Air System	Heater	Controls	Drain	Pkg. Wt.
Soaker #4272620	Acrylic	0	-	-	-	-	Universal	122 (55)
Whirlpool #4272621	Acrylic	8	0.75 HP	-	1.5kW inline (optional)	Pneumatic	Universal	172 (78)
Air Bath #4272620A	Acrylic	0	-	Channel	Inline	Pneumatic	Universal	152 (69)

DIMENSIONS inches (mm)

Width	Depth	Height	Skirt Height
Overall / Net	Overall / Net	Overall / Net	
72 (1830)	36 (915)	21 3/4 (550) / 19 3/4 (500)	-

SUMP DATA inches (mm)

Capacity to Overflow gal (ltr)	Min. Operating Capacity gal (ltr)	WIDTH @ centerline		DEPTH @ centerline	
		Top	Bottom	Top	Bottom
80 (303)	60 (227)	65 (1650)	53 (1345)	26 1/2 (675)	22 (560)

PLUMBING DIMENSIONS inches (mm)

A	B	Drain to Overflow	Drain Diameter / Clearance
3 (75)	9 3/4 (250)	16 (405)	2 (50) / 1 3/4 (45)

ELECTRICAL DATA

Component	Specification	Requirement
Pump	.75 HP; 5 AMP; 120 V	15 AMP; 120V, separate circuit; Class A GFCI
Optional Heater (whirlpool model)	1.5KW; 12 AMP; 120 V	15 AMP; 120V, separate circuit; Class A GFCI
Heated Blower	5 AMP; 120 V	15 AMP; 120V, separate circuit; Class A GFCI

NOTES:

1) Where applicable, utilize cut-out templates packed with unit for deck cutouts.

2) 16 x 16 (405 x 405) minimum access required at pump/blower location(s).

Each air bath is equipped with an air heating system to raise the temperature of the air entering the bath. This air temperature will be lower than the bathing temperature of the water, but will help reduce rapid decrease in water temperature. In addition, the air coming from the air jets will feel cool against the skin. This system does not heat the water.