

# HIALEAH II – BUILDERS' CHOICE

inches (mm)

72 ¼ x 42 ¼ x 23 ½ (1835 x 1075 x 595) • Fax on Demand #5048

SOAKER MODEL #6472620

WHIRLPOOL MODEL #6472621



## FEATURES (ALL MODELS)

- Slip-resistant floor
- Pre-leveled base
- Lucite® cast acrylic surface
- Limited 10-year warranty
- UL and IAPMO listed

## OPTIONS

- Comfort pillow: Biscuit, Black, White
- 1.5kW inline maintenance heater (whirlpool only)
- Bolt-on grab bar(s):  
Chrome, Oil-Rubbed Bronze,  
Polished Brass, Brushed Nickel,  
Color Matched (Biscuit, White)
- Cable drive waste & overflow:  
Chrome, Oil Rubbed Bronze,  
Polished Brass, Brushed Nickel,  
Color Matched (Biscuit, Bone, White)
- Lift & turn waste & overflow:  
Chrome, Oil Rubbed Bronze,  
Polished Brass, Brushed Nickel
- Tile flange
- Optional pump location
- Acrylic skirt

## AQUATIC ADVANTAGE

- National distribution
- 6 manufacturing facilities
- Private fleet
- Centralized customer service
- Field support
- 24-hour fax-on-demand

## COLOR & TRIM OPTIONS

Stock

Almond (C)  
Bone (C)  
Biscuit (C)  
White (C)

C = Color Matched Trim

## AVAILABLE SYSTEM

### WHIRLPOOL

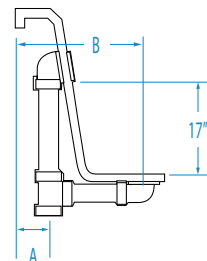
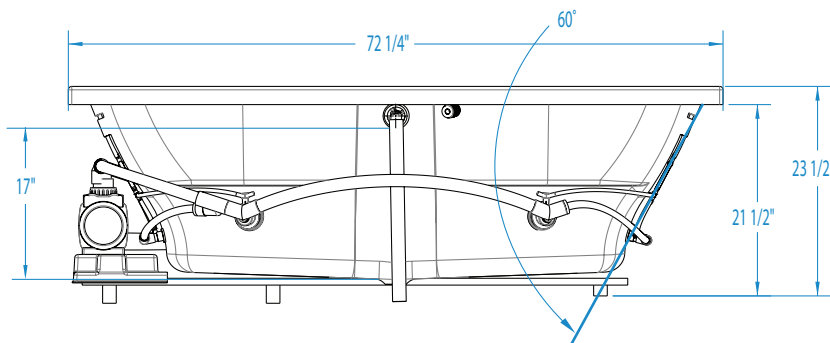
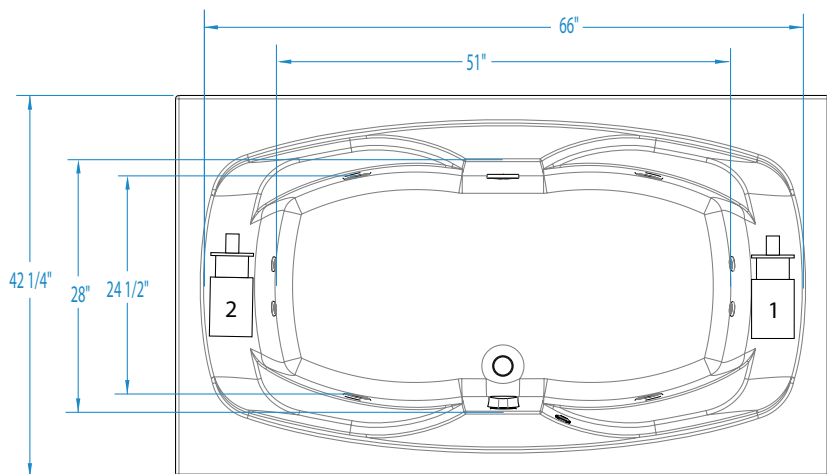
- 8 whirlpool hydrotherapy jets including:
  - High-flow directional jets
  - Low-profile spinning micro-jets
- .75 hp pump
- Pneumatic on/off control
- Advanced safety suction system
- Factory run-tested



**AQUATIC**

Where Inspiration Takes Shape

# HIALEAH II

 72 1/4 x 42 1/4 x 23 1/2 (1835 x 1075 x 595)  
 inches (mm)

**FEATURES** lbs (kg)      Dimensional Tolerance ± 3/8". Dimensions needed for site preparation should be measured from the unit. Aquatic assumes no responsibility for preparatory work.

Type and Model #	Material	Jets	Pump	Air System	Heater	Controls	Drain	Pkg. Wt.
Soaker #6472620	Acrylic	0	-	-	-	-	Center Front	127 (58)
Whirlpool #6472621	Acrylic	8	0.75 HP	-	1.5kW inline (optional)	Pneumatic	Center Front	183 (83)

**DIMENSIONS** inches (mm)

Width	Depth	Height	Skirt Height
Overall / Net	Overall / Net	Overall / Net	
72 1/4 (1835)	42 1/4 (1070)	23 1/2 (595)	-

**SUMP DATA** inches (mm)

Capacity to Overflow gal (ltr)	Min. Operating Capacity gal (ltr)	WIDTH @ centerline		DEPTH @ centerline	
		Top	Bottom	Top	Bottom
72 (273)	47 (178)	66 (1675)	51 (1295)	28 (710)	24 1/2 (620)

**PLUMBING DIMENSIONS** inches (mm)

A	B	Drain to Overflow	Drain Diameter / Clearance
5 3/4 (145)	10 3/4 (275)	17 (430)	2 (50) / 1 1/4 (30)

**NOTES:**

1) Where applicable, utilize cut-out templates packed with unit for deck cutouts.

2) 16 x 16 (405 x 405) minimum access required at pump/blower location(s).

**ELECTRICAL DATA**

Component	Specification	Requirement
Pump	.75 HP; 5 AMP; 120 V	15 AMP; 120V, separate circuit; Class A GFCI
Optional Heater (whirlpool model)	1.5KW; 12 AMP; 120 V	15 AMP; 120V, separate circuit; Class A GFCI