

# DOSSI 30 Q – BUILDERS' CHOICE

inches (mm)

60 x 31 ¼ x 24 ⅛ (1525 x 795 x 610) • Fax on Demand #1233

**SOAKER MODEL #7160620Q**

**WHIRLPOOL MODEL #7160621Q**



## AQUATIC ADVANTAGE

- National distribution
- 6 manufacturing facilities
- Private fleet
- Centralized customer service
- Field support
- 24-hour fax-on-demand

## FEATURES (ALL MODELS)

- Extended skirt (AFR)
- Integral double tile flange
- Slip-resistant floor
- Pre-leveled base
- Lucite® cast acrylic surface
- Limited 10- year warranty
- UL and IAPMO listed

## OPTIONS

- Comfort pillow:  
Biscuit, Black, White
- 1.5kW inline maintenance heater  
(whirlpool only)
- Bolt-on grab bar(s):  
Chrome, Oil-Rubbed Bronze,  
Polished Brass, Brushed Nickel,  
Color Matched (Biscuit, White)
- Cable drive waste & overflow:  
Chrome, Oil Rubbed Bronze,  
Polished Brass, Brushed Nickel,  
Color Matched (Biscuit, Bone, White)
- Lift & turn waste & overflow:  
Chrome, Oil Rubbed Bronze,  
Polished Brass, Brushed Nickel
- Optional pump location
- Cut skirt (19")

## COLOR & TRIM OPTIONS

Stock

Almond (C)  
Bone (C)  
Biscuit (C)  
White (C)

C = Color Matched Trim

## AVAILABLE SYSTEM

### WHIRLPOOL

- 8 whirlpool hydrotherapy jets including:
  - High-flow directional jets
  - Low-profile spinning micro-jets
- .75 hp pump
- Pneumatic on/off control
- Advanced safety suction system
- Factory run-tested

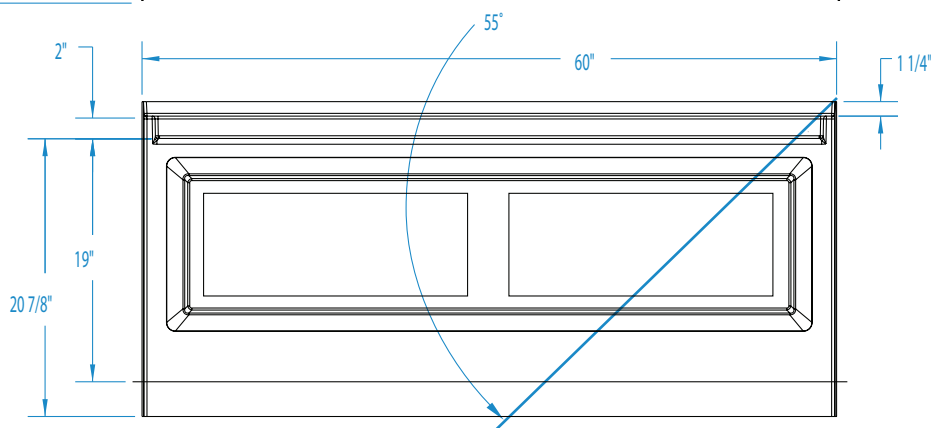
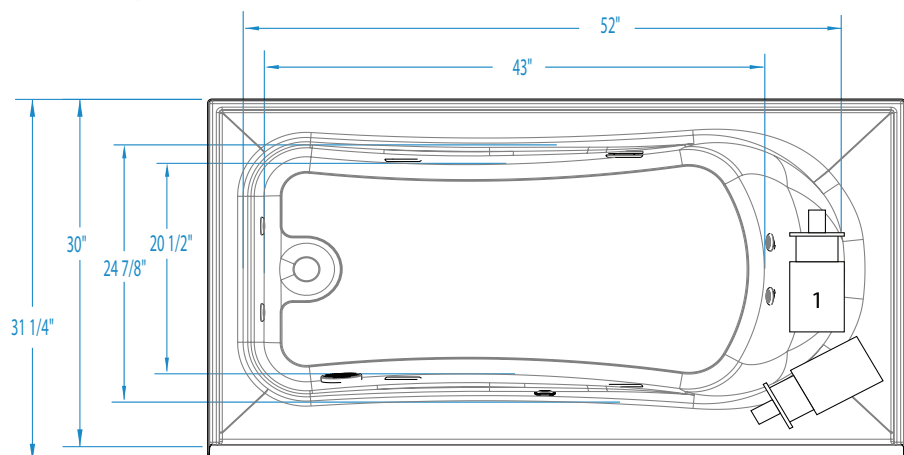


# DOSSI 30 Q

60 x 31 1/4 x 24 1/8 (1525 x 795 x 610) inches (mm)



AFR allows for above the floor installation of waste, overflow and drainage. This unit is standard as AFR. Optional cut skirt available.


**FEATURES** lbs (kg) Dimensional Tolerance ± 3/8". Dimensions needed for site preparation should be measured from the unit. Aquatic assumes no responsibility for preparatory work.

Type and Model #	Material	Jets	Pump	Air System	Heater	Controls	Drain	Pkg. Wt.
Soaker #7160620Q	Acrylic	0	–	–	–	–	LH or RH	11.5 (52)
Whirlpool #7160621Q	Acrylic	8	0.75 HP	–	1.5kW inline (optional)	Pneumatic	LH or RH	16.5 (75)

**DIMENSIONS** inches (mm)

Width	Depth	Height	Skirt Height
Overall / Net	Overall / Net	Overall / Net	Skirt Height
60 (1525)	31 1/4 (795) / 30 (760)	24 1/8 (615) / 22 7/8 (580)	20 7/8 (530)

**SUMP DATA** inches (mm)

Capacity to Overflow	Min. Operating Capacity	WIDTH @ centerline		DEPTH @ centerline	
		Top	Bottom	Top	Bottom
gal (ltr)	gal (ltr)	Top	Bottom	Top	Bottom
55 (210)	32 2/8 (120)	52 (1320)	43 (1090)	24 7/8 (635)	20 1/2 (520)

**PLUMBING DIMENSIONS** inches (mm)

A	B	Drain to Overflow	Drain Diameter / Clearance
2 (50)	9 3/8 (240)	15 (380)	2 (50) / 3 1/4 (80)

**NOTES:**

1) Where applicable, utilize cut-out templates packed with unit for deck cutouts.

2) 16 x 16 (405 x 405) minimum access required at pump/blower location(s).

**ELECTRICAL DATA**

Component	Specification	Requirement
Pump	.75 HP; 5 AMP; 120 V	15 AMP; 120V, separate circuit; Class A GFCI
Optional Heater (whirlpool model)	1.5KW; 12 AMP; 120 V	15 AMP; 120V, separate circuit; Class A GFCI