

# DELPHINIUS – BUILDERS' CHOICE

inches (mm)

60 x 60 x 22 (1525 x 1525 x 560) • Fax on Demand #5029

SOAKER MODEL #1260640

WHIRLPOOL MODEL #1260641



## FEATURES (ALL MODELS)

- Slip-resistant floor
- Pre-leveled base
- Lucite® cast acrylic surface
- Limited 10- year warranty
- UL and IAPMO listed

## OPTIONS

- Comfort pillow: Biscuit, Black, White
- 1.5kW inline maintenance heater (whirlpool only)
- Grab bar(s): Chrome, Oil Rubbed Bronze, Polished Brass, Brushed Nickel, Color matched (Biscuit, White, Clear)
- Cable drive waste & overflow: Chrome, Oil Rubbed Bronze, Polished Brass, Brushed Nickel, Color Matched (Biscuit, Bone, White)
- Lift & turn waste & overflow: Chrome, Oil Rubbed Bronze, Polished Brass, Brushed Nickel
- Tile flange
- Acrylic skirt

## AQUATIC ADVANTAGE

- National distribution
- 6 manufacturing facilities
- Private fleet
- Centralized customer service
- Field support
- 24-hour fax-on-demand

## COLOR & TRIM OPTIONS

Stock

Almond (C)  
Bone (C)  
Biscuit (C)  
White (C)

C = Color Matched Trim

## AVAILABLE SYSTEM

### WHIRLPOOL

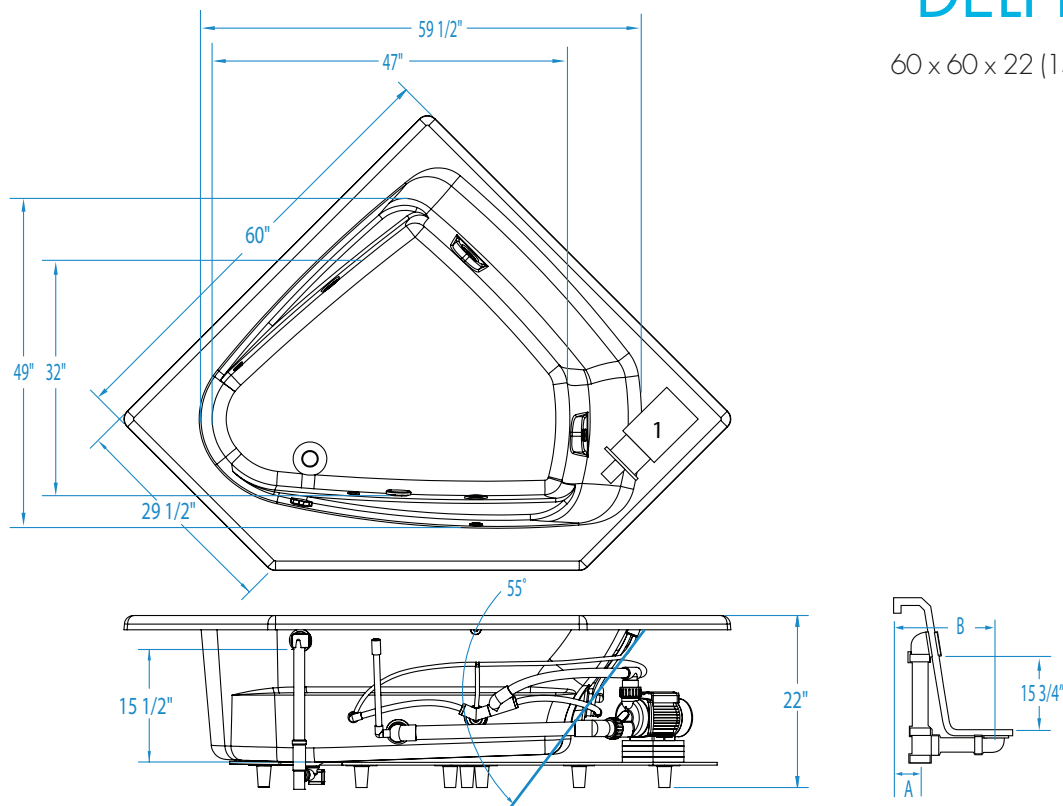
- 7 whirlpool hydrotherapy jets including:
  - High-flow directional jets
  - Low-profile spinning micro-jets
- .75 hp pump
- Pneumatic on/off control
- Advanced safety suction system
- Factory run-tested



AQUATIC

Where Inspiration Takes Shape

# DELPHINIUS

 60 x 60 x 22 (1525 x 1525 x 560)  
 inches (mm)

**FEATURES** lbs (kg) Dimensional Tolerance  $\pm 3/8"$ . Dimensions needed for site preparation should be measured from the unit. Aquatic assumes no responsibility for preparatory work.

Type and Model #	Material	Jets	Pump	Air System	Heater	Controls	Drain	Pkg. Wt.
Soaker #1260640	Acrylic	0	-	-	-	-	Left Front	155 (70)
Whirlpool #1260641	Acrylic	7	0.75 HP	-	1.5kW inline (optional)	Pneumatic	Left Front	205 (93)

**DIMENSIONS** inches (mm)

Width Overall / Net	Depth Overall / Net	Height Overall / Net	Skirt Height
60 (1525)	60 (1525)	22 (560)	-

**SUMP DATA** inches (mm)

Capacity to Overflow gal (ltr)	Min. Operating Capacity gal (ltr)	WIDTH @ centerline		DEPTH @ centerline	
		Top	Bottom	Top	Bottom
90 (340)	74 (281)	59 1/2 (1510)	47 (1195)	49 (1245)	32 (810)

**PLUMBING DIMENSIONS** inches (mm)

A	B	Drain to Overflow	Drain Diameter / Clearance
30 (760)	9 1/2 (240)	15 1/2 (395)	2 (50) / 1 1/4 (30)

**ELECTRICAL DATA**

Component	Specification	Requirement
Pump	.75 HP; 5 AMP; 120 V	15 AMP; 120V, separate circuit; Class A GFCI
Optional Heater (whirlpool model)	1.5KW; 12 AMP; 120 V	15 AMP; 120V, separate circuit; Class A GFCI

**NOTES:**

1) Where applicable, utilize cut-out templates packed with unit for deck cutouts.

2) 16 x 16 (405 x 405) minimum access required at pump/blower location(s).