

# DAVENPORT — BUILDERS' CHOICE

inches (mm)

59 x 35 ½ x 21 ¼ (1500 x 900 x 540) • Fax on Demand #9066

SOAKER MODEL #2460360

WHIRLPOOL MODEL #2460361

AIR BATH MODEL #2460360A



## FEATURES (ALL MODELS)

- Slip-resistant floor
- Pre-leveled base
- Lucite® cast acrylic surface
- Limited 10-year warranty
- UL and IAPMO listed

## OPTIONS

- Comfort pillow: Biscuit, Black, White
- 1.5 kW inline maintenance heater (whirlpool only)
- Cable drive waste & overflow: Chrome, Oil Rubbed Bronze, Polished Brass, Brushed Nickel, Color Matched (Biscuit, Bone, White)
- Lift & turn waste & overflow: Chrome, Oil Rubbed Bronze, Polished Brass, Brushed Nickel
- Acrylic skirt

## AQUATIC ADVANTAGE

- National distribution
- 6 manufacturing facilities
- Private fleet
- Centralized customer service
- Field support
- 24-hour fax-on-demand

## COLOR & TRIM OPTIONS

Stock

Almond (C)  
Bone (C)  
Biscuit (C)  
White (C)

C = Color Matched Trim

## AVAILABLE SYSTEMS

### WHIRLPOOL

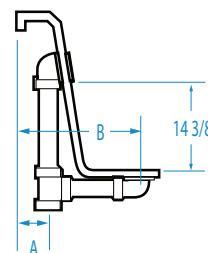
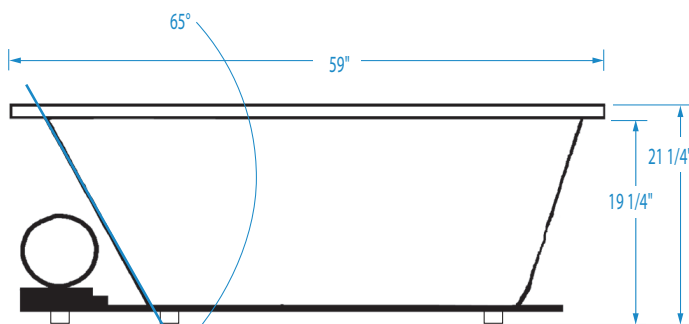
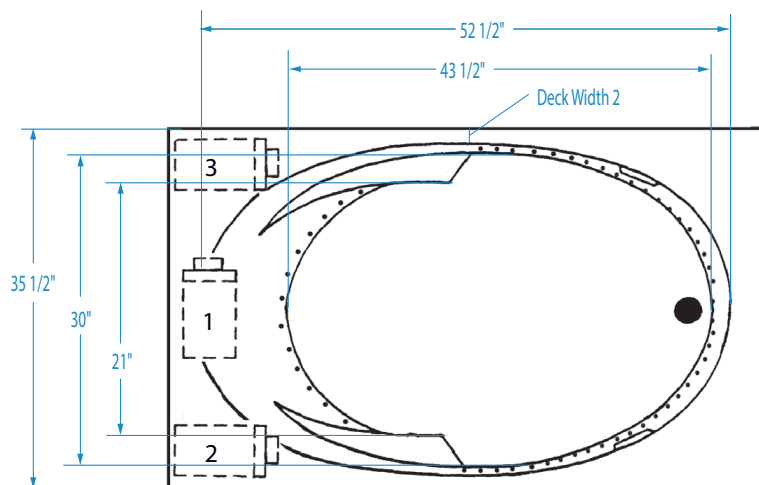
- 8 whirlpool hydrotherapy jets including:
  - High-flow directional jets
  - Low-profile spinning micro-jets
- .75 hp pump
- Pneumatic on/off control
- Advanced safety suction system
- Factory run-tested

### AIR BATH

- Perimeter air channel lined with antimicrobial coating
- Single-speed heated-air blower with automated purge-and-dry cycle
- Pneumatic on/off control
- Factory run-tested



# DAVENPORT

 59 x 35 1/2 x 21 1/4 (1500 x 900 x 540)  
 inches (mm)

**FEATURES** lbs (kg) Dimensional Tolerance  $\pm 3/8"$ . Dimensions needed for site preparation should be measured from the unit. Aquatic assumes no responsibility for preparatory work.

Type and Model #	Material	Jets	Pump	Air System	Heater	Controls	Drain	Pkg. Wt.
Soaker #2460360	Acrylic	0	-	-	-	-	Universal	116 (53)
Whirlpool #2460361	Acrylic	8	0.75 HP	-	1.5kW inline (optional)	Pneumatic	Universal	166 (75)
Air Bath #2460360A	Acrylic	0	-	Channel	Inline	Pneumatic	Universal	146 (66)

**DIMENSIONS** inches (mm)

Width Overall / Net	Depth Overall / Net	Height Overall / Net	Skirt Height
59 (1500)	35 1/2 (900)	21 1/4 (540)	-

**SUMP DATA** inches (mm)

Capacity to Overflow gal (ltr)	Min. Operating Capacity gal (ltr)	WIDTH @ centerline		DEPTH @ centerline	
		Top	Bottom	Top	Bottom
63 (240)	58 (220)	52 1/2 (1335)	43 1/2 (1105)	29 3/4 (750)	21 (540)

**PLUMBING DIMENSIONS** inches (mm)

A	B	Drain to Overflow	Drain Diameter / Clearance
2 3/8 (60)	8 7/8 (225)	14 3/8 (365)	

**NOTES:**

1) Where applicable, utilize cut-out templates packed with unit for deck cutouts.

2) 16 x 16 (405 x 405) minimum access required at pump/blower location(s).

**ELECTRICAL DATA**

Component	Specification	Requirement
Pump	.75 HP; 5 AMP; 120 V	15 AMP; 120V, separate circuit; Class A GFCI
Optional Heater (whirlpool model)	1.5KW; 12 AMP; 120 V	15 AMP; 120V, separate circuit; Class A GFCI
Heated Blower	5 AMP; 120 V	15 AMP; 120V, separate circuit; Class A GFCI

Each air bath is equipped with an air heating system to raise the temperature of the air entering the bath. This air temperature will be lower than the bathing temperature of the water, but will help reduce rapid decrease in water temperature. In addition, the air coming from the air jets will feel cool against the skin. This system does not heat the water.