

# ASCOT II – BUILDERS' CHOICE

inches (mm)

66 x 34 x 21 1/2 (1675 x 865 x 545) • Fax on Demand #5034

SOAKER MODEL #4466530

WHIRLPOOL MODEL #4466531



## FEATURES (ALL MODELS)

- Slip-resistant floor
- Pre-leveled base
- Lucite® cast acrylic surface
- Limited 10- year warranty
- UL and IAPMO listed

## OPTIONS

- Comfort pillow:  
Biscuit, Black, White
- 1.5kW inline maintenance heater  
(whirlpool only)
- Bolt-on grab bar(s):  
Chrome, Oil-Rubbed Bronze,  
Polished Brass, Brushed Nickel,  
Color Matched (Biscuit, White)
- Cable drive waste & overflow:  
Chrome, Oil Rubbed Bronze,  
Polished Brass, Brushed Nickel,  
Color Matched (Biscuit, Bone, White)
- Lift & turn waste & overflow:  
Chrome, Oil Rubbed Bronze,  
Polished Brass, Brushed Nickel
- Tile flange
- Acrylic skirt

## AQUATIC ADVANTAGE

- National distribution
- 6 manufacturing facilities
- Private fleet
- Centralized customer service
- Field support
- 24-hour fax-on-demand

## COLOR & TRIM OPTIONS

Stock

Almond (C)  
Bone (C)  
Biscuit (C)  
White (C)

C = Color Matched Trim

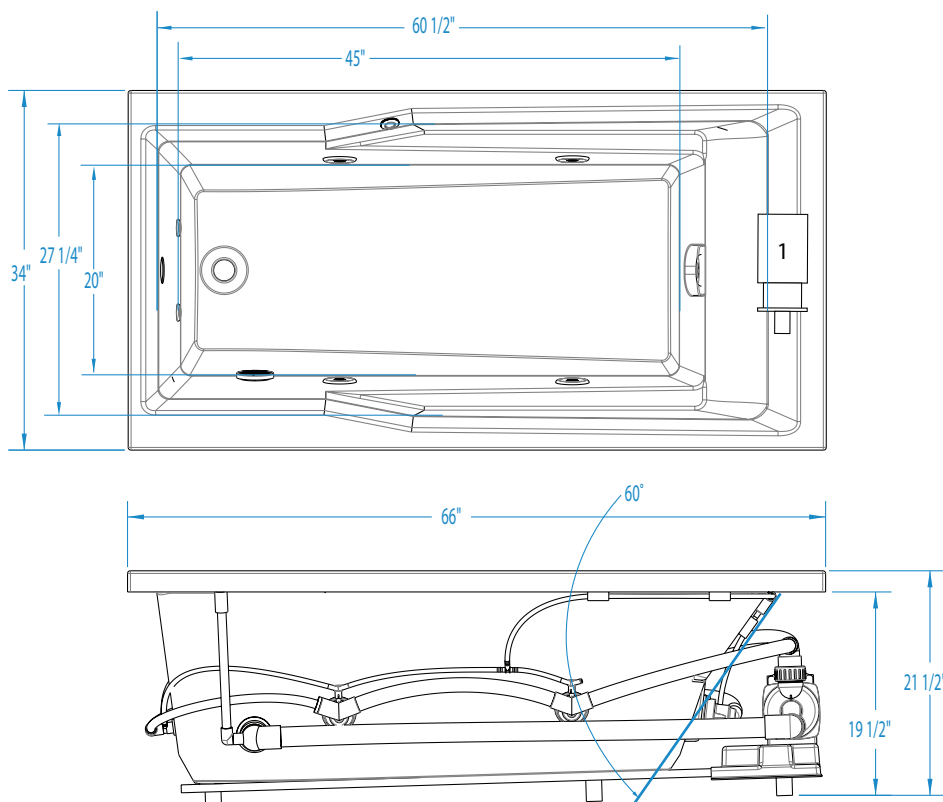
## AVAILABLE SYSTEM

### WHIRLPOOL

- 7 whirlpool hydrotherapy jets including:
  - High-flow directional jets
  - Low-profile spinning micro-jets
- .75 hp pump
- Pneumatic on/off control
- Advanced safety suction system
- Factory run-tested



# ASCOT II

 66 x 34 x 21 1/2 (1675 x 865 x 545)  
 inches (mm)

**FEATURES** lbs (kg)      Dimensional Tolerance  $\pm 3/8"$ . Dimensions needed for site preparation should be measured from the unit. Aquatic assumes no responsibility for preparatory work.

Type and Model #	Material	Jets	Pump	Air System	Heater	Controls	Drain	Pkg. Wt.
Soaker #4466530	Acrylic	0	-	-	-	-	Universal	116 (53)
Whirlpool #4466531	Acrylic	7	0.75 HP	-	1.5kW inline (optional)	Pneumatic	Universal	166 (75)

**DIMENSIONS** inches (mm)

Width Overall / Net	Depth Overall / Net	Height Overall / Net	Skirt Height
66 (1675)	34 (865)	21 1/2 (545)/ 19 1/2 (495)	-

**SUMP DATA** inches (mm)

Capacity to Overflow gal (ltr)	Min. Operating Capacity gal (ltr)	WIDTH @ centerline		DEPTH @ centerline	
		Top	Bottom	Top	Bottom
62 (235)	47 (178)	60 1/2 (1535)	45 (1145)	27 1/4 (695)	20 (510)

**PLUMBING DIMENSIONS** inches (mm)

A	B	Drain to Overflow	Drain Diameter / Clearance
2 (50)	7 3/4 (195)	14 (355)	2 (50) / 1 1/4 (30)

**ELECTRICAL DATA**

Component	Specification	Requirement
Pump	.75 HP; 5 AMP; 120 V	15 AMP; 120V, separate circuit; Class A GFCI
Optional Heater (whirlpool model)	1.5KW; 12 AMP; 120 V	15 AMP; 120V, separate circuit; Class A GFCI

**NOTES:**

1) Where applicable, utilize cut-out templates packed with unit for deck cutouts.

2) 16 x 16 (405 x 405) minimum access required at pump/blower location(s).