

ALYDAR II – BUILDERS' CHOICE

inches (mm)

72 x 42 x 23 7/8 (1830 x 1065 x 605) • Fax on Demand #5043

SOAKER MODEL #5772620

WHIRLPOOL MODEL #5772621

AIR BATH MODEL #5772620A



FEATURES (ALL MODELS)

- Slip-resistant floor
- Pre-leveled base
- Lucite® cast acrylic surface
- Limited 10-year warranty
- UL and IAPMO listed

OPTIONS

- Comfort pillow:
Biscuit, Black, White
- 1.5kW inline maintenance heater
(whirlpool only)
- Cable drive waste & overflow:
Chrome, Oil Rubbed Bronze,
Polished Brass, Brushed Nickel,
Color Matched (Biscuit, Bone, White)
- Lift & turn waste & overflow:
Chrome, Oil Rubbed Bronze,
Polished Brass, Brushed Nickel
- Tile flange
- Optional pump/blower location
- Acrylic skirt

AQUATIC ADVANTAGE

- National distribution
- 6 manufacturing facilities
- Private fleet
- Centralized customer service
- Field support
- 24-hour fax-on-demand

COLOR & TRIM OPTIONS

Stock

Almond (C)
Bone (C)
Biscuit (C)
White (C)

C = Color Matched Trim

AVAILABLE SYSTEMS

WHIRLPOOL

- 8 whirlpool hydrotherapy jets including:
 - High-flow directional jets
 - Low-profile spinning micro-jets
- .75 hp pump
- Pneumatic on/off control
- Advanced safety suction system
- Factory run-tested

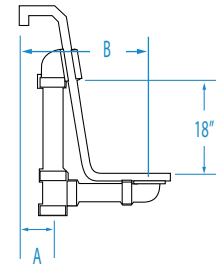
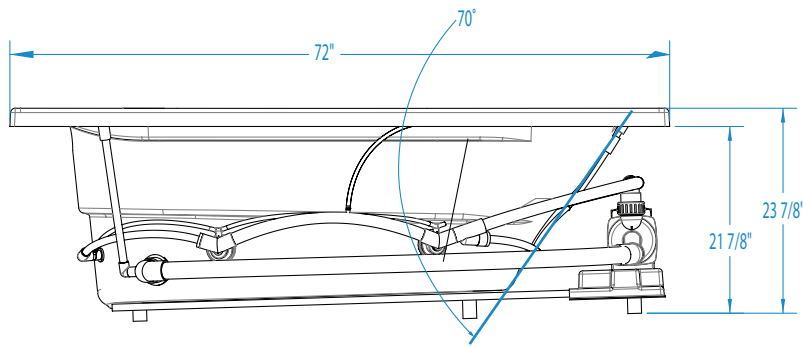
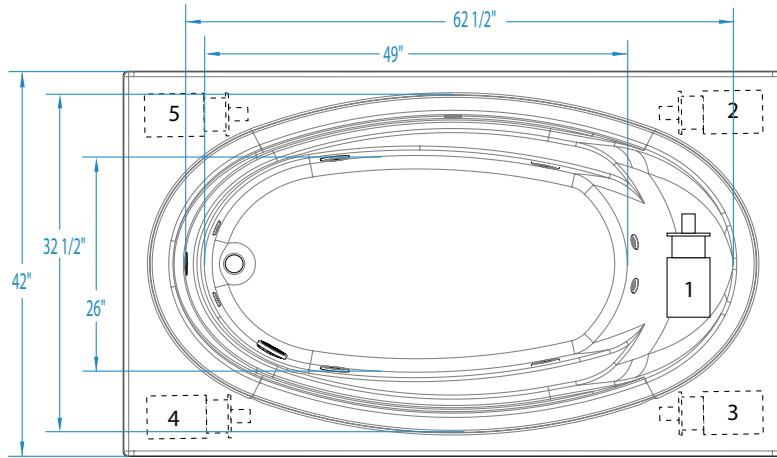
AIR BATH

- Perimeter air channel lined with antimicrobial coating
- Single-speed heated-air blower with automated purge-and-dry cycle
- Pneumatic on/off control
- Factory run-tested



ALYDAR II

72 x 42 x 23 7/8 (1830 x 1065 x 605)
inches (mm)



FEATURES lbs (kg) Dimensional Tolerance ± 3/8". Dimensions needed for site preparation should be measured from the unit. Aquatic assumes no responsibility for preparatory work.

| Type and Model # | Material | Jets | Pump | Air System | Heater | Controls | Drain | Pkg. Wt. |
|--------------------|----------|------|---------|------------|-------------------------|-----------|-----------|----------|
| Soaker #5772620 | Acrylic | 0 | - | - | - | - | Universal | 121 (55) |
| Whirlpool #5772621 | Acrylic | 8 | 0.75 HP | - | 1.5kW inline (optional) | Pneumatic | Universal | 151 (68) |
| Air Bath #5772620A | Acrylic | 0 | - | Channel | Inline | Pneumatic | Universal | 134 (60) |

DIMENSIONS inches (mm)

| Width Overall / Net | Depth Overall / Net | Height Overall / Net | Skirt Height |
|------------------------|------------------------|--------------------------------|-----------------|
| 72 (1830) | 42 (1065) | 23 7/8 (605) / 21 7/8 (555) | - |

SUMP DATA inches (mm)

| Capacity to Overflow gal (ltr) | Min. Operating Capacity gal (ltr) | WIDTH @ centerline | | DEPTH @ centerline | |
|--------------------------------------|---|--------------------|-----------|--------------------|----------|
| | | Top | Bottom | Top | Bottom |
| 67 (254) | 50 (189) | 62 1/2 (1590) | 49 (1245) | 32 1/2 (825) | 26 (660) |

PLUMBING DIMENSIONS inches (mm)

| A | B | Drain to Overflow | Drain Diameter / Clearance |
|-------------|-------------|----------------------|-------------------------------|
| 4 3/4 (120) | 9 1/2 (240) | 18 (455) | 2 (50) / 3/4 (20) |

ELECTRICAL DATA

| Component | Specification | Requirement |
|-----------------------------------|----------------------|--|
| Pump | .75 HP; 5 AMP; 120 V | 15 AMP; 120V, separate circuit; Class A GFCI |
| Optional Heater (whirlpool model) | 1.5KW; 12 AMP; 120 V | 15 AMP; 120V, separate circuit; Class A GFCI |
| Heated Blower | 5 AMP; 120 V | 15 AMP; 120V, separate circuit; Class A GFCI |

NOTES:
1) Where applicable, utilize cut-out templates packed with unit for deck cutouts.

2) 16 x 16 (405 x 405) minimum access required at pump/blower location(s).

Each air bath is equipped with an air heating system to raise the temperature of the air entering the bath. This air temperature will be lower than the bathing temperature of the water, but will help reduce rapid decrease in water temperature. In addition, the air coming from the air jets will feel cool against the skin. This system does not heat the water.