

# SERENITY 49 – SERENITY SERIES

inches (mm)

60 x 32 x 22 ¾ (1525 x 810 x 575) • Fax on Demand #9064

SOAKER MODEL #AI49AIR6032TO

AIR BATH MODEL #AI49AIR6032 (Coming Soon)

HOTSOAK MODEL #AI49AIR6032HS

DRIFTBATH MODEL #AI49AIR6032DB



## FEATURES

- Deep bathing well
- Slip-resistant floor
- Pre-leveled ABS support base
- Extended skirt (AFR)
- Integral tile flange
- Lucite® cast acrylic surface
- Design styles from transitional to modern
- Limited lifetime warranty
- UL and IAPMO listed

## OPTIONS

- Comfort pillow: Biscuit, Black, White
- Bolt-on grab bar(s): Chrome, Oil-Rubbed Bronze, Polished Brass, Brushed Nickel, Color Matched (Biscuit, White)
- Cable drive waste & overflow: Chrome, Oil Rubbed Bronze, Polished Brass, Brushed Nickel, Color Matched (Biscuit, Bone, White)
- Remote control kit (air bath only)
- Remote blower wiring kit (air bath only)
- Cut skirt (19")

## AQUATIC ADVANTAGE

- National distribution
- 6 manufacturing facilities
- Private fleet
- Centralized customer service
- Field support
- 24-hour fax-on-demand

## COLOR & TRIM OPTIONS

Stock	Premium
Almond	Black
Bone	Cashmere
Biscuit	Mexican Sand
White	Red
	Sandbar
	Sterling Silver

## AVAILABLE SYSTEMS

### HOTSOAK

- 2 low-profile circulation portals
- 1.5kW inline maintenance heater
- Quiet, run-dry safe pump
- Electronic one-touch off/on control
- Quiet pad anti-vibration pump mount
- Heatbent rigid PVC piping
- Factory run-tested

### DRIFTBATH

- Up to 70 water-only portals
- Quiet 3/4 hp pump with integrated heat
- Electronic control
- 4 high-intensity LED chromatherapy lights
- Available in White or Biscuit

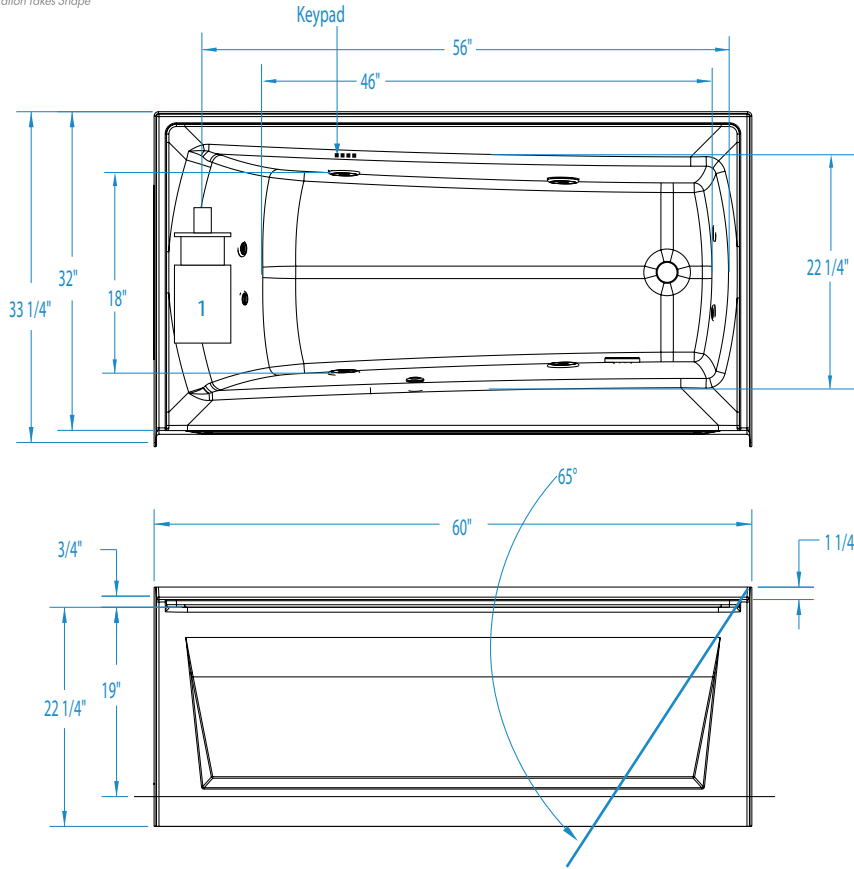


# SERENITY 49

60 x 32 x 22 3/4 (1525 x 810 x 575)  
inches (mm)



Note: Drop-in Serenity models feature a Pre-leveled ABS Support Base.



**FEATURES** lbs (kg) Dimensional Tolerance ± 3/8". Dimensions needed for site preparation should be measured from the unit. Aquatic assumes no responsibility for preparatory work.

Type and Model #	Material	System	Powered By	Heater	Controls	Drain	Pkg. Wt.
Soaker #A149AIR6032TO	Acrylic	-	-	-	-	LH or RH	120 (54)
Hotsoak #A149AIR6032HS	Acrylic	Water circulation	Pump	1.5 kW Inline maintenance	Electronic	LH or RH	150 (68)
DriftBath #A149AIR6032DB	Acrylic	Water circulation	Pump	Integrated	Electronic	LH or RH	161 (73)

## DIMENSIONS inches (mm)

Width Overall / Net	Depth Overall / Net	Height Overall / Net	Skirt Height
60 (1525)	33 1/4 (845) / 32 (810)	24 1/4 (615) / 22 3/4 (575)	22 (560)

## SUMP DATA inches (mm)

Capacity to Overflow gal (ltr)	Min. Operating Capacity gal (ltr)	WIDTH @ centerline		DEPTH @ centerline	
		Top	Bottom	Top	Bottom
56 (212)	31 (117)	56 (1420)	46 (1170)	22 1/4 (565)	18 (455)

## PLUMBING DIMENSIONS inches (mm)

A	B	Drain to Overflow	Drain Diameter / Clearance
1 (25)	8 3/4 (220)	14 3/4 (375)	2 (50) / 3 1/4 (80)

**NOTES:**

1) Where applicable, utilize cut-out templates packed with unit for deck cutouts.

2) 16 x 16 (405 x 405) minimum access required at pump/blower location(s).

3) If a (3T) tiling flange is selected, then the keypad is located opposite of the flange.

## ELECTRICAL DATA

Component	Specification	Requirement
Pump (HotSoak)	1/15 HP; 1.3 AMP; 120V	20 AMP; 120V, separate circuit; Class A GFCI
Heater (HotSoak)	1.5 kW; 12 AMP; 120V	
Pump (DriftBath)	3/4 HP; 8.8 AMP; 120V	15 AMP; 120V, separate circuit; Class A GFCI

Each Serenity air bath is equipped with an air heating system to raise the temperature of the air entering the bath. This air temperature will be lower than the bathing temperature of the water, but will help reduce rapid decrease in water temperature. In addition, the air coming from the air jets will feel cool against the skin. This system does not heat the water.

# SERENITY

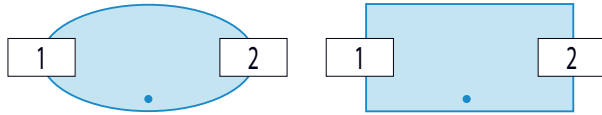
## PUMP/BLOWER LOCATIONS

### TECHNICAL SPECIFICATIONS

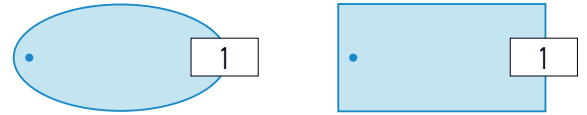
Air Bath • HotSoak • DriftBath

#### AIR BATH

Center Drain Models

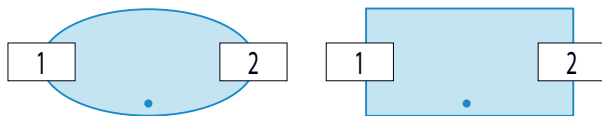


End Drain Models



#### HOTSOAK

Center Drain Models

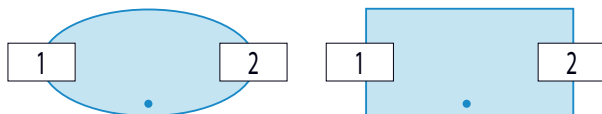


End Drain Models



#### DRIFTBATH

Center Drain Models



End Drain Models



Center Drain Models

