

# SERENITY 15 – SERENITY SERIES

inches (mm)

60 x 38 x 21 (1525 x 965 x 535) • Fax on Demand #1199

**SOAKER MODEL #A115AIR6038TO**

**AIR BATH MODEL #A115AIR6038**

**HOTSOAK MODEL #A115AIR6038HS**



## FEATURES (ALL MODELS)

- Deep bathing well
- Slip-resistant floor
- Pre-leveled ABS support base
- Lucite® cast acrylic surface
- Design styles from transitional to modern
- Limited lifetime warranty
- UL and IAPMO listed

## OPTIONS

- Comfort pillow:  
Biscuit, Black, White
- Cable drive waste & overflow:  
Chrome, Oil Rubbed Bronze,  
Polished Brass, Brushed Nickel,  
Color Matched (Biscuit, Bone, White)
- Remote control kit (air bath only)
- Remote blower wiring kit  
(air bath only)
- 1" Low Profile Deck (Skirt option not  
available with Low Profile Deck)

## AQUATIC ADVANTAGE

- National distribution
- 6 manufacturing facilities
- Private fleet
- Centralized customer service
- Field support
- 24-hour fax-on-demand

## COLOR & TRIM OPTIONS

Stock	Premium
Almond	Black
Bone	Cashmere
Biscuit	Mexican Sand
White	Red
	Sandbar
	Sterling Silver

## AVAILABLE SYSTEMS

### AIR BATH

- Perimeter air channel lined with antimicrobial coating
- Variable-speed, heated-air blower and automated purge-and-dry cycle and water sensors
- Electronic control with wave and pulse features
- Chromatherapy
- Factory run-tested

### HOTSOAK

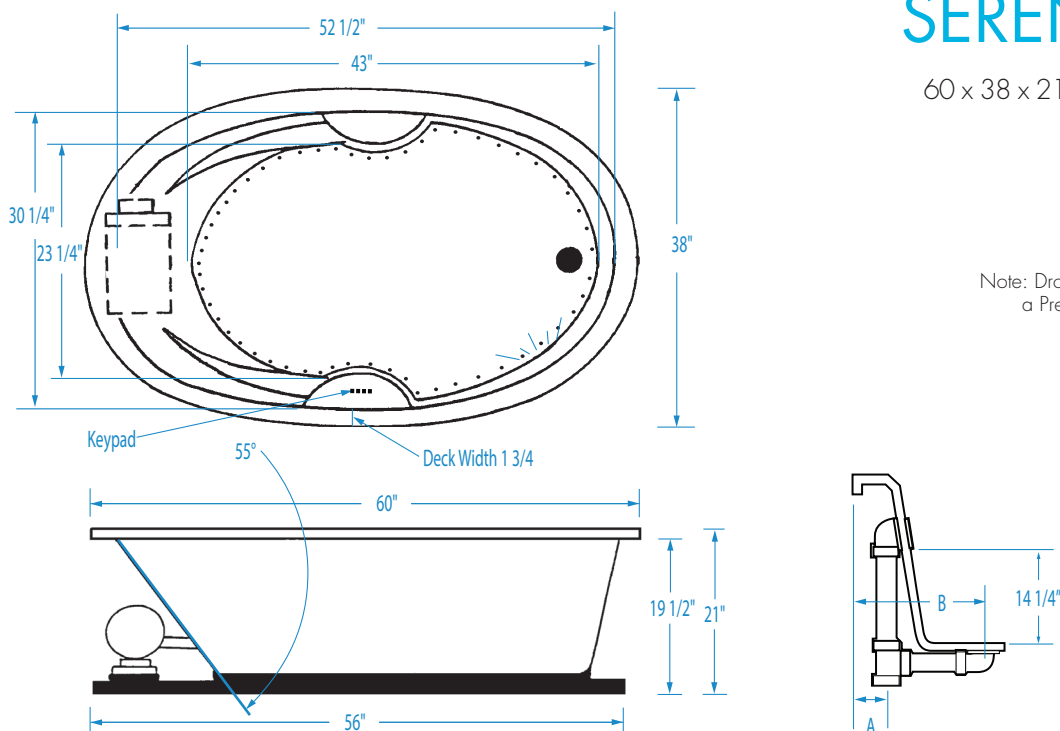
- 2 low-profile circulation portals
- 1.5kW inline maintenance heater
- Quiet, run-dry safe pump
- Electronic one-touch off/on control
- Quiet pad anti-vibration pump mount
- Heatbent rigid PVC piping
- Factory run-tested



# SERENITY 15

 60 x 38 x 21 (1525 x 965 x 535)  
 inches (mm)


Note: Drop-in Serenity models feature a Pre-leveled ABS Support Base.


**FEATURES** lbs (kg) Dimensional Tolerance  $\pm 3/8"$ . Dimensions needed for site preparation should be measured from the unit. Aquatic assumes no responsibility for preparatory work.

Type and Model #	Material	System	Powered By	Heater	Controls	Drain	Pkg. Wt.
Soaker #A115AIR6038TO	Acrylic	-	-	-	-	Universal	124 (56)
HotSoak #A115AIR6038HS	Acrylic	Water circulation	Pump	1.5 kW Inline maintenance	Electronic	Universal	154 (70)
Air Bath #A115AIR6038	Acrylic	Air channel	Variable speed blower	Integrated	Electronic	Universal	154 (70)

**DIMENSIONS** inches (mm)

Width Overall / Net	Depth Overall / Net	Height Overall / Net	Skirt Height
60 (1525)	38 (965)	21 (535)	-

**SUMP DATA** inches (mm)

Capacity to Overflow gal (ltr)	Min. Operating Capacity gal (ltr)	WIDTH @ centerline		DEPTH @ centerline	
		Top	Bottom	Top	Bottom
58 (220)	-	52 1/2 (1335)	43 (1090)	30 1/4 (770)	23 1/4 (590)

**PLUMBING DIMENSIONS** inches (mm)

A	B	Drain Diameter / Clearance
2 1/2 (65)	10 1/4 (260)	

**ELECTRICAL DATA**

Component	Specification	Requirement
Heated Blower (Air Bath)	10.5 AMP; 120V	15 AMP; 120V, separate circuit; Class A GFCI
Pump (HotSoak)	1/15 HP; 1.3 AMP; 120V	20 AMP; 120V, separate circuit; Class A GFCI
Heater (HotSoak)	1.5 kW; 12 AMP; 120V	

**NOTES:**

1) Where applicable, utilize cut-out templates packed with unit for deck cutouts.

2) 16 x 16 (405 x 405) minimum access required at pump/blower location(s).

3) For Low Profile Deck, framing height will need to be increased by an additional 1".

4) If a (3T) tiling flange is selected, then the keypad is located opposite of the flange.

Each Serenity air bath is equipped with an air heating system to raise the temperature of the air entering the bath. This air temperature will be lower than the bathing temperature of the water, but will help reduce rapid decrease in water temperature. In addition, the air coming from the air jets will feel cool against the skin. This system does not heat the water.

# SERENITY

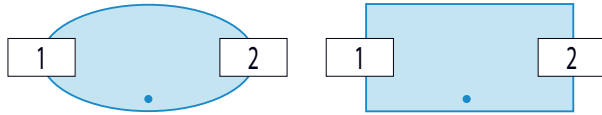
## PUMP/BLOWER LOCATIONS

### TECHNICAL SPECIFICATIONS

Air Bath • HotSoak • DriftBath

#### AIR BATH

Center Drain Models

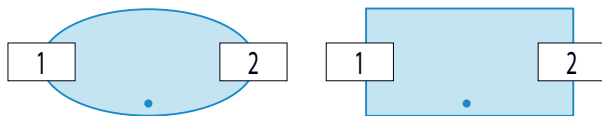


End Drain Models

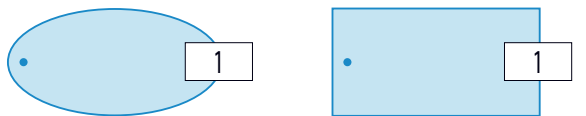


#### HOTSOAK

Center Drain Models

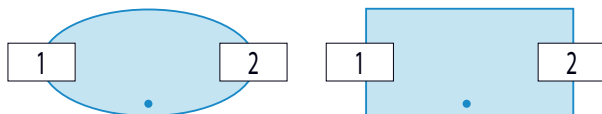


End Drain Models



#### DRIFTBATH

Center Drain Models



End Drain Models



Center Drain Models

