

POINT REYES – ESTATE SERIES

inches (mm)

72 x 39 1/4 x 22 7/8 (1830 x 1000 x 580) • Fax on Demand #1311

WHIRLPOOL MODEL #AI7240R

AIR-WHIRLPOOL MODEL #AI25LUX7240



AQUATIC ADVANTAGE

- National distribution
- 6 manufacturing facilities
- Private fleet
- Centralized customer service
- Field support
- 24-hour fax-on-demand

FEATURES

- Deep, contoured bathing well
- Slip-resistant floor
- Pre-leveled ABS support base (except skirted units)
- Quiet pad anti-vibration pump mount
- Heat-bent rigid PVC piping
- Lucite® cast acrylic surface
- Factory run-tested
- Limited lifetime warranty
- UL and IAPMO listed

OPTIONS

- Chromotherapy LED lighting
- 1.5kW inline maintenance heater (option for whirlpool; standard for air-whirlpool)
- Comfort pillow: Biscuit, Black, White
- Cable drive waste & overflow: Chrome, Oil Rubbed Bronze, Polished Brass, Brushed Nickel, Color Matched (Biscuit, Bone, White)
- Optional pump location (whirlpool only)
- Metallic Finish (Whirlpool only): Jets and suction fittings Chrome, Polished Brass, Brushed Nickel

AVAILABLE SYSTEMS

WHIRLPOOL

- 7 whirlpool hydrotherapy jets including:
 - 3-jet back, shoulder and neck massage system
 - Dual-port high-flow spinning jets
 - High-flow directional jets
- 1.75 HP run-dry safe pump
- Electronic on/off control

AIR-WHIRLPOOL COMBINATION

- Whirlpool system plus:
 - Perimeter air channel lined with antimicrobial coating
 - Variable-speed, heated-air blower with automated purge-and-dry cycle
 - Electronic control with wave and pulse features
- 1.5kW inline maintenance heater

COLOR & TRIM OPTIONS

Stock	Premium
Almond (C, M)	Black (C, M)
Bone (C, M)	Cashmere (M)
Biscuit (C, M)	Mexican Sand (M)
White (C, M)	Red (M)
	Sandbar (M)
	Sterling Silver (C, M)

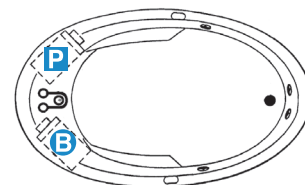
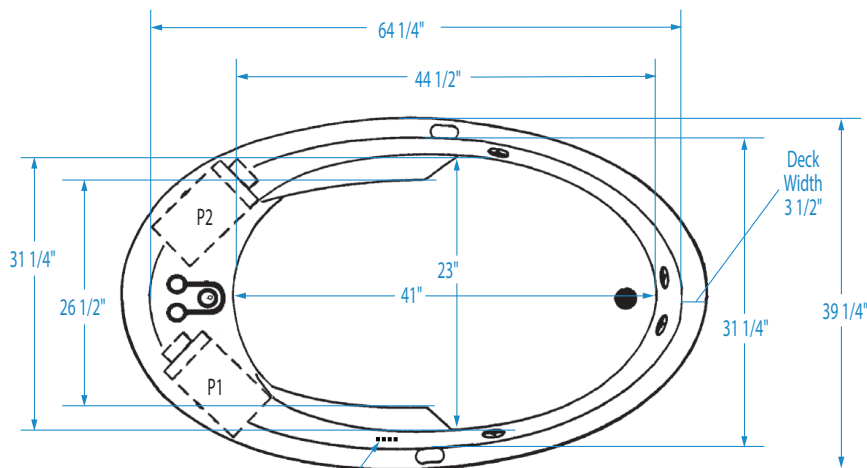
C = Color Matched Trim

M = Metallic Trim (Brushed Nickel, Chrome, Polished Brass)



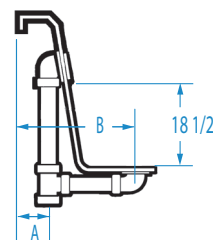
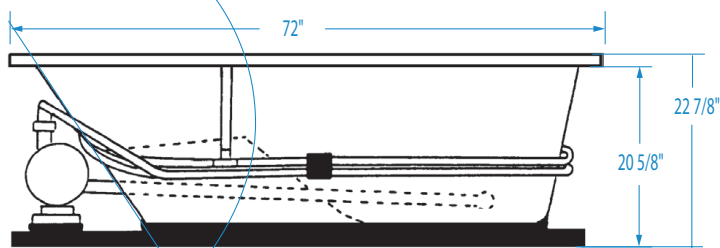
POINT REYES

72 x 39 1/4 x 22 7/8 (1830 x 1000 x 580)
inches (mm)



Note: For Air-whirlpool, no alternate pump/blower location available.

Note: No Grab Bar option available.



Note: Tub Only units do not come standard with the Pre-leveled ABS Support Base.

FEATURES lbs (kg) Dimensional Tolerance ± 3/8". Dimensions needed for site preparation should be measured from the unit. Aquatic assumes no responsibility for preparatory work.

Type and Model #	Material	Jets	Pump	Air System	Blower	Heater	Controls	Drain	Pkg. Wt.
Whirlpool #AI7240R	Acrylic	7	1.75 HP	—	—	1.5 kw Inline (optional)	Electronic	Universal	194 (88)
Air-Whirlpool #AI25LUX7240	Acrylic	7	1.75 HP	Channel	Variable speed	1.5 kw Inline	Electronic	Universal	245 (111)

DIMENSIONS inches (mm)

Width Overall / Net	Depth Overall / Net	Height Overall / Net	Skirt Height
72 (1830)	39 1/4 (1000)	22 7/8 (580) / 20 7/8 (530)	—

SUMP DATA inches (mm)

Capacity to Overflow gal (ltr)	Min. Operating Capacity gal (ltr)	WIDTH @ centerline		DEPTH @ centerline	
		Top	Bottom	Top	Bottom
86 (325)	67 (254)	64 1/4 (1630)	44 1/2 (1130)	31 1/4 (795)	26 1/2 (675)

PLUMBING DIMENSIONS inches (mm)

A	B	Drain Diameter / Clearance
6 3/4 (170)	16 3/4 (425)	2 (50) / 3/4 (20)

ELECTRICAL DATA

Component	Specification	Requirement
Pump	1.75 HP; 12 AMP; 120V	15 AMP; 120V, separate circuit; Class A GFCI
Optional Heater	1.5 kW; 12AMP; 120V	15 AMP; 120V, separate circuit; Class A GFCI
Blower	1.0 HP; 9.5 AMP; 120V	15 AMP; 120V, separate circuit; Class A GFCI

NOTES:

1) Where applicable, utilize cut-out templates packed with unit for deck cutouts.

2) 16 x 16 (405 x 405) minimum access required at pump/blower location(s).

3) If a (3T) tiling flange is selected, then the keypad is located opposite of the flange.

NOTE:

1) This whirlpool must be hard wired to the breaker box. Three outlets will be supplied on the air-whirlpool.