

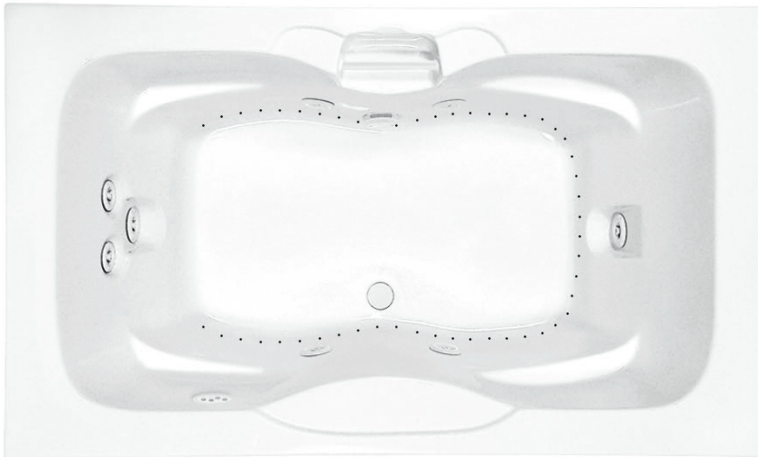
# CLEARWATER – ESTATE SERIES

inches (mm)

72 x 42 x 23 ¼ (1830 x 1070 x 590) • Fax on Demand #1282

WHIRLPOOL MODEL #AI7242R

AIR-WHIRLPOOL MODEL #AI26LUX7242



## FEATURES

- Deep, contoured bathing well
- Slip-resistant floor
- Pre-leveled ABS support base (except skirted units)
- Quiet pad anti-vibration pump mount
- Heat-bent rigid PVC piping
- Lucite® cast acrylic surface
- Factory run-tested
- Limited lifetime warranty
- UL and IAPMO listed

## OPTIONS

- Chromatherapy LED lighting
- 1.5kW inline maintenance heater (option for whirlpool; standard for air-whirlpool)
- Comfort pillow: Biscuit, Black, White
- Grab bar(s): Chrome, Oil Rubbed Bronze, Polished Brass, Brushed Nickel, Color matched (Biscuit, White, Clear)
- Cable drive waste & overflow: Chrome, Oil Rubbed Bronze, Polished Brass, Brushed Nickel, Color Matched (Biscuit, Bone, White)
- Factory installed rigid ABS tile flange
- Optional pump location (whirlpool only)
- Acrylic skirt: Color Matched
- Metallic Finish (Whirlpool only): (Jets and suction fittings) Chrome, Polished Brass, Brushed Nickel

## AQUATIC ADVANTAGE

- National distribution
- 6 manufacturing facilities
- Private fleet
- Centralized customer service
- Field support
- 24-hour fax-on-demand

## AVAILABLE SYSTEMS

### WHIRLPOOL

- 8 whirlpool hydrotherapy jets including:
  - 3-jet back, shoulder and neck massage system
  - Dual-port high-flow spinning jets
  - High-flow directional jets
- 1.75 HP run-dry safe pump
- Electronic on/off control

### AIR-WHIRLPOOL COMBINATION

- Whirlpool system plus:
  - Perimeter air channel lined with antimicrobial coating
  - Variable-speed, heated-air blower with automated purge-and-dry cycle
  - Electronic control with wave and pulse features
- 1.5kW inline maintenance heater

## COLOR & TRIM OPTIONS

Stock	Premium
Almond (C, M)	Black (C, M)
Bone (C, M)	Cashmere (M)
Biscuit (C, M)	Mexican Sand (M)
White (C, M)	Red (M)
	Sandbar (M)
	Sterling Silver (C, M)

C = Color Matched Trim

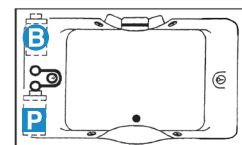
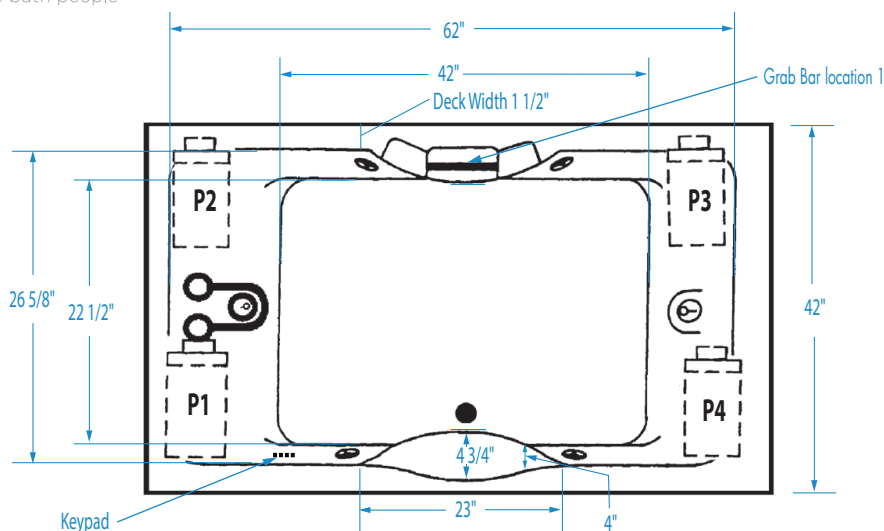
M = Metallic Trim (Brushed Nickel, Chrome, Polished Brass)



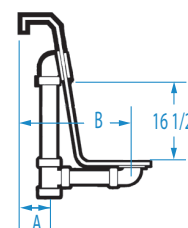
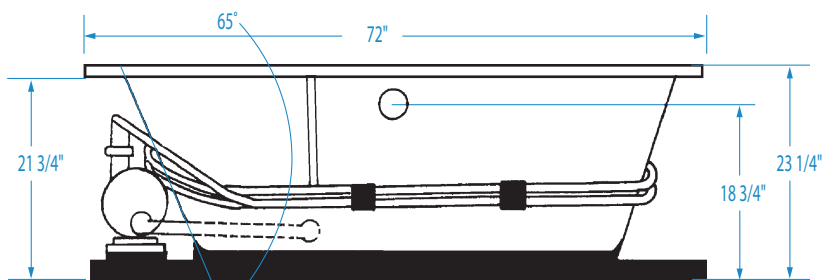
**AQUATIC**  
The bath people

## CLEARWATER

72 x 42 x 23 1/4 (1830 x 1070 x 590)  
inches (mm)



Note: For Air-whirlpool, no alternate pump/blower location available.



Note: Tub Only units do not come standard with the Pre-levleed ABS Support Base.

### FEATURES lbs (kg) Dimensional Tolerance ± 3/8". Dimensions needed for site preparation should be measured from the unit. Aquatic assumes no responsibility for preparatory work.

Type and Model #	Material	Jets	Pump	Air System	Blower	Heater	Controls	Drain	Pkg. Wt.
Whirlpool #A17242R	Acrylic	8	1.75 HP	—	—	1.5 kw Inline (optional)	Electronic	Center Front	247 (112)
Air-Whirlpool #A126LUX7242	Acrylic	8	1.75 HP	Channel	Variable speed	1.5 kw Inline	Electronic	Center Front	265 (120)

### DIMENSIONS inches (mm)

Width Overall / Net	Depth Overall / Net	Height Overall / Net	Skirt Height
72 (1830)	42 (1070)	23 1/4 (590)	—

### SUMP DATA inches (mm)

Capacity to Overflow gal (ltr)	Min. Operating Capacity gal (ltr)	WIDTH @ centerline		DEPTH @ centerline	
		Top	Bottom	Top	Bottom
90 (340)	71 (269)	62 (1575)	42 (1065)	26 5/8 (675)	22 1/2 (570)

### PLUMBING DIMENSIONS inches (mm)

A	B	Drain Diameter / Clearance
6 1/2 (165)	13 1/2 (345)	2 (50) / 1/2 (10)

### ELECTRICAL DATA

Component	Specification	Requirement
Pump	1.75 HP; 12 AMP; 120V	15 AMP; 120V, separate circuit; Class A GFCI
Optional Heater	1.5 kW; 12 AMP; 120V	15 AMP; 120V, separate circuit; Class A GFCI
Blower	1.0 HP; 9.5 AMP; 120V	15 AMP 1 pole, separate circuit, Class A GFCI

#### NOTES:

1) Where applicable, utilize cut-out templates packed with unit for deck cutouts.

2) 16 x 16 (405 x 405) minimum access required at pump/blower location(s).

3) If a (3T) tiling flange is selected, then the keypad is located opposite of the flange.

#### NOTE:

1) This whirlpool must be hard wired to the breaker box. Three outlets will be supplied on the air-whirlpool.