

INFINITY 9 – INFINITY SERIES

inches (mm)

66 x 34 1/2 x 31 1/2 (1675 x 875 x 800) • Fax on Demand #1319

AIR-WHIRLPOOL MODEL #AI9INF6636A



Not a drop-in model. Deck must be built around unit.

AQUATIC ADVANTAGE

- National distribution
- 6 manufacturing facilities
- Private fleet
- Centralized customer service
- Field support
- 24-hour fax-on-demand

FEATURES (ALL MODELS)

- Extra-soft magnetic comfort pillow
- Fast-fill waterfall spout (some models available without spout)
- Chromatherapy
- Deep bathing well with contoured seating (most models)
- Slip-resistant floor
- Sculptured arm rests
- Adjustable metal base
- Quiet pad anti-vibration pump mount
- Lucite® cast acrylic surface
- Factory run-tested
- Wood shipping crate
- Limited lifetime warranty
- UL and IAPMO listed

OPTIONS

- Bolt-on grab bars: Biscuit, Chrome, White, Oil Rubbed Bronze, Polished Brass, Brushed Nickel
- Cable drive waste & overflow: Chrome, Oil Rubbed Bronze, Polished Brass, Brushed Nickel, Color Matched (Biscuit, Bone, White)
- Available Without Fast-fill Waterfall Spout
- Metallic Finish: (jets and suction fittings) Chrome, Polished Brass, Brushed Nickel

SYSTEMS

WHIRLPOOL

- 16 whirlpool hydrotherapy jets including:
 - 12-jet shiatsu back massage system
 - Dual-port high-flow spinning jets
 - High-flow directional jets
- 1.75 HP run-dry safe pump
- 1.5 Kw Inline maintenance heater
- Digital electronic control system with custom preset capability
- Shiatsu electronic control panel with pre-programmed jet sequencer

AIR BATH

- Air bath system featuring concealed in-floor air jets with check valves
- Variable-speed, heated-air blower with automated purge-and-dry cycle

COLOR & TRIM OPTIONS

Stock	Premium
Almond (C, M)	Black (C, M)
Bone (C, M)	Cashmere (M)
Biscuit (C, M)	Mexican Sand (M)
White (C, M)	Red (M)
	Sandbar (M)
	Sterling Silver (C, M)

C = Color Matched Trim
M = Metallic Trim (Brushed Nickel, Chrome, Polished Brass)



AQUATIC

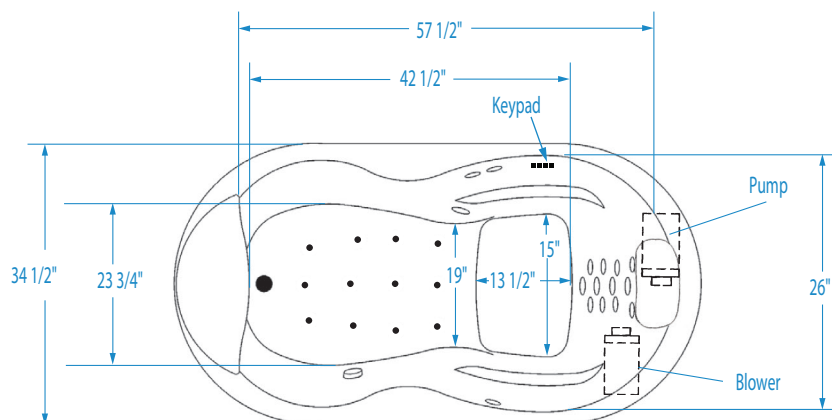
Where Inspiration Takes Shape

INFINITY 9

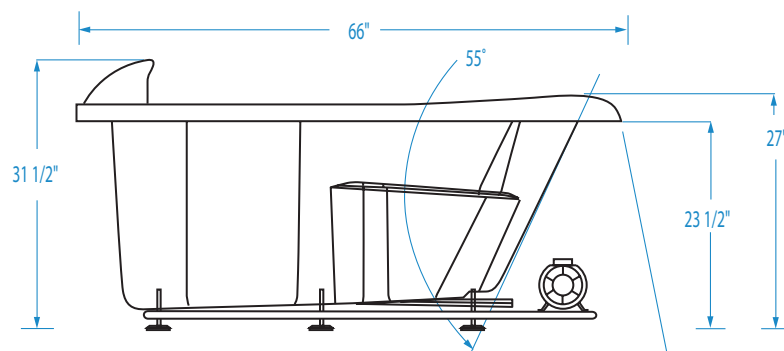
66 x 34 1/2 x 31 1/2 (1675 x 875 x 800) inches (mm)



Not a drop-in model. Deck must be built around unit.
This unit has a 3/4" female waterfall fill spout connection.

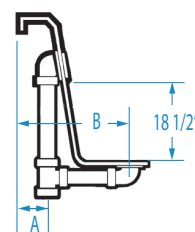


No alternate pump location available.



Note: Infinity 9 is not a drop in model.
A deck must be built around the tub.

NOTE: Please allow for plumbing to extend approx. 3" beyond tub rim.



FEATURES lbs (kg) Dimensional Tolerance ± 3/8". Dimensions needed for site preparation should be measured from the unit. Aquatic assumes no responsibility for preparatory work.

Type and Model #	Material	Jets	Pump	Air System	Blower	Heater	Controls	Drain	Pkg. Wt.
Air-whirlpool #A19INF6636A	Acrylic	16	1.75 HP	Injector	Variable speed	1.5 kw Inline	Electronic	Universal	289 (131)

DIMENSIONS inches (mm)

Width Overall / Net	Depth Overall / Net	Height Overall / Net	Skirt Height
66 (1675)	34 1/2 (875)	31 1/2 (800) / 23 1/2 (595)	-

SUMP DATA inches (mm)

Capacity to Overflow gal (ltr)	Min. Operating Capacity gal (ltr)	WIDTH @ centerline		DEPTH @ centerline	
		Top	Bottom	Top	Bottom
89 (335)	65 (246)	57 1/2 (1460)	42 1/2 (1080)	26 (660)	23 3/4 (605)

PLUMBING DIMENSIONS inches (mm)

A	B	Drain Diameter / Clearance
2 1/2 (65)	8 3/4 (220)	

ELECTRICAL DATA

Component	Specification	Requirement
Pump	1.75 HP; 12 AMP; 120 V	15 AMP 1 pole, separate circuit, Class A GFCI
Inline Heater	1.5 kW; 12.5 AMP; 120 V	15 AMP 1 pole, separate circuit, Class A GFCI
Blower	1.0 HP; 9.5 AMP; 120 V	15 AMP 1 pole, separate circuit, Class A GFCI

NOTES:

1) Where applicable, utilize cut-out templates packed with unit for deck cutouts.

2) 16 x 16 (405 x 405) minimum access required at pump/blower location(s).