

MILLENNIUM 10 – MILLENNIUM SERIES

inches (mm)

82 x 48 x 33 (2085 x 1220 x 840) • Fax on Demand #1195

MODEL #A110MIL8248



AQUATIC ADVANTAGE

- National distribution
- 6 manufacturing facilities
- Private fleet
- Centralized customer service
- Field support
- 24-hour fax-on-demand

FEATURES (ALL MODELS)

- Two-person bath with individual ergonomic hydrotherapy zones
- 2 extra-soft magnetic comfort pillows
- Digital electronic control system with custom preset capability
- Floating remote control
- Fast-fill waterfall spout
- Footrest (most models)
- Chromatherapy
- Sculpted armrests
- Slip-resistant floor
- Adjustable metal base
- Quiet pad anti-vibration pump mount
- Lucite® cast acrylic surface
- Factory run-tested
- Wood shipping crate
- Limited lifetime warranty
- UL and IAPMO listed

OPTIONS

- Cable drive waste & overflow: Chrome, Oil Rubbed Bronze, Polished Brass, Brushed Nickel, Color Matched (Biscuit, Bone, White)
- Available Without Fast-fill Waterfall Spout
- Metallic Finish: (jets and suction fittings) Chrome, Polished Brass, Brushed Nickel

AVAILABLE SYSTEMS

WHIRLPOOL

- 22 whirlpool hydrotherapy jets including:
 - 12-jet shiatsu back massage system
 - Elbow and wrist jets
 - Knee and foot jets
 - Back massage fan jets
- Shiatsu electronic control panel with pre-programmed jet sequencer
- Independent 1.75 HP 3-speed run-dry safe pumps for each hydrotherapy zone (2)
- 1.5 Inline maintenance heater

AIR BATH

- Air bath system featuring concealed in-floor air jets with check valves
- Variable-speed, heated-air blower with automated purge-and-dry cycle

COLOR & TRIM OPTIONS

Stock	Premium
Almond (C, M)	Black (C, M)
Bone (C, M)	Cashmere (M)
Biscuit (C, M)	Mexican Sand (M)
White (C, M)	Red (M)
	Sandbar (M)
	Sterling Silver (C, M)

C = Color Matched Trim

M = Metallic Trim (Brushed Nickel, Chrome, Polished Brass)

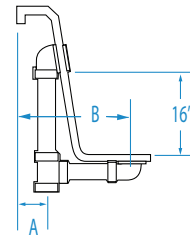
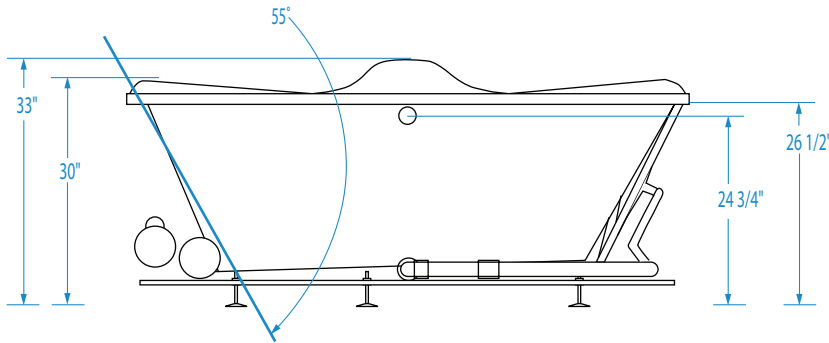
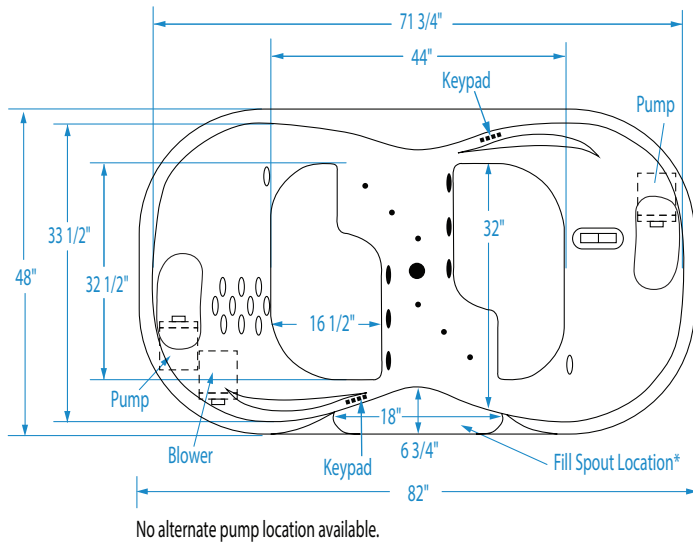


MILLENNIUM 10

82 x 48 x 33 (2085 x 1220 x 840)
inches (mm)



This unit has a 3/4" female waterfall fill spout connection.



FEATURES lbs (kg) Dimensional Tolerance ± 3/8". Dimensions needed for site preparation should be measured from the unit. Aquatic assumes no responsibility for preparatory work.

Type and Model #	Material	Jets	Pump	Air System	Blower	Heater	Controls	Drain	Pkg. Wt.
Air-Whirlpool #A110M1L8248	Acrylic	22	1.75 HP (2)	Injector	Variable speed (2)	1.5 kw Inline	Electronic	Center	740 (335)

DIMENSIONS inches (mm)

Width Overall / Net	Depth Overall / Net	Height Overall / Net	Skirt Height
82 (2085)	48 (1220)	33 (840)	-

SUMP DATA inches (mm)

Capacity to Overflow gal (ltr)	Min. Operating Capacity gal (ltr)	WIDTH @ centerline		DEPTH @ centerline	
		Top	Bottom	Top	Bottom
140 (530)	116 (439)	71 3/4 (1820)	44 (1120)	33 1/2 (850)	32 1/2 (825)

PLUMBING DIMENSIONS inches (mm)

A	B	Drain Diameter / Clearance
4 1/8 (115)	24 (610)	2 (50) / 2 3/8 (60)

ELECTRICAL DATA

Component	Specification	Requirement
Electronic Control Package		(2) 240V; 15AMP w/ GFCI; 4-Wire w/ Dedicated Neutral

NOTES:

1) Where applicable, utilize cut-out templates packed with unit for deck cutouts.

2) 16 x 16 (405 x 405) minimum access required at pump/blower location(s).