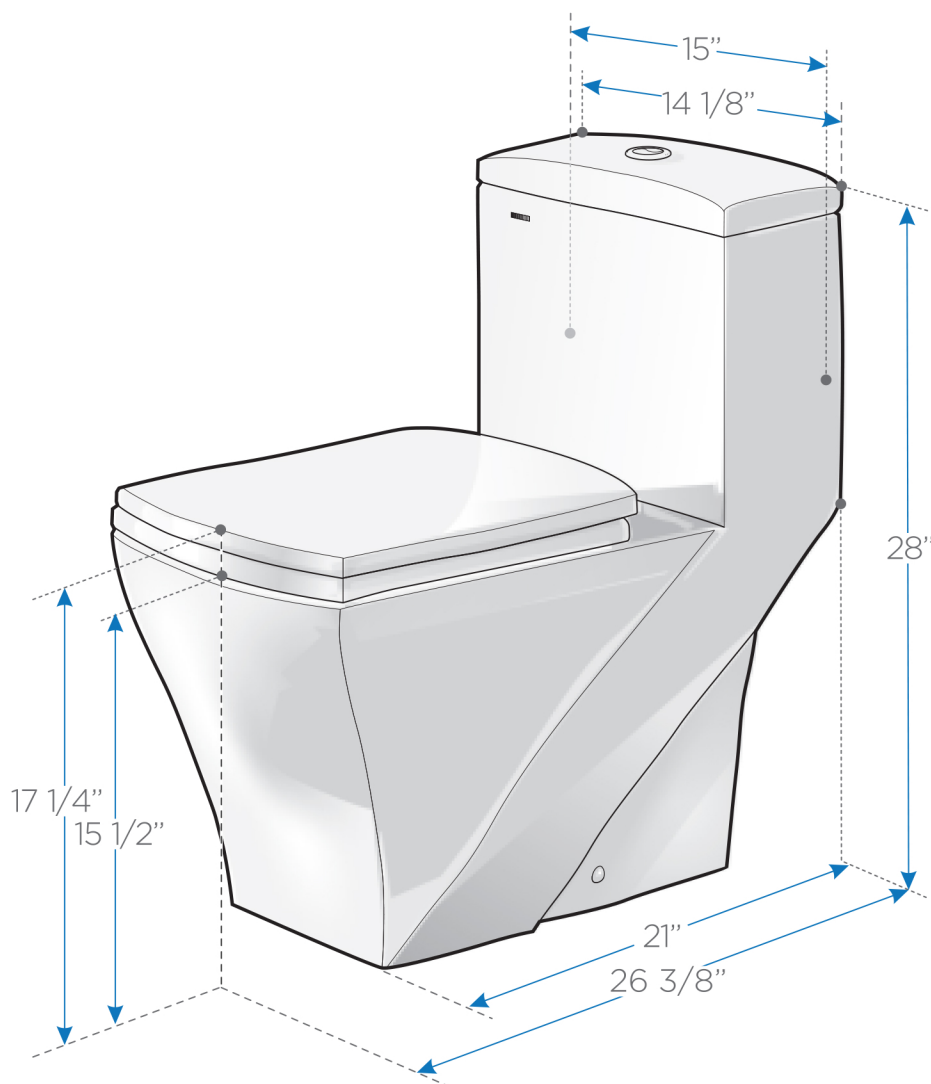


SALERNO

FTL1018

One-Piece Dual Flush Square Toilet



SPECIFICATIONS:

- Eco-Friendly Push Button Flush Mechanism
- High Quality Stain Resistant Polish w/ Fully Glazed Trapway
- 1.6/0.8GPF Water Consumption
- Seat Included
- 12" Trap Distance
- Elongated Bowl Type
- One Piece / S-trap Construction
- 3 Years Parts Warranty

BOX DIMENSIONS: L31" W16" H29" G.W.107LB

