



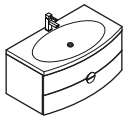
FVN5092

LUCIDO

INSTALLATION GUIDE

CONTENTS:

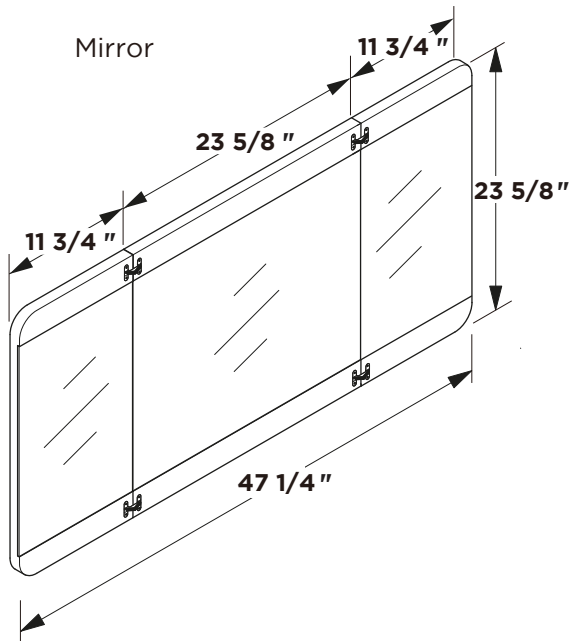
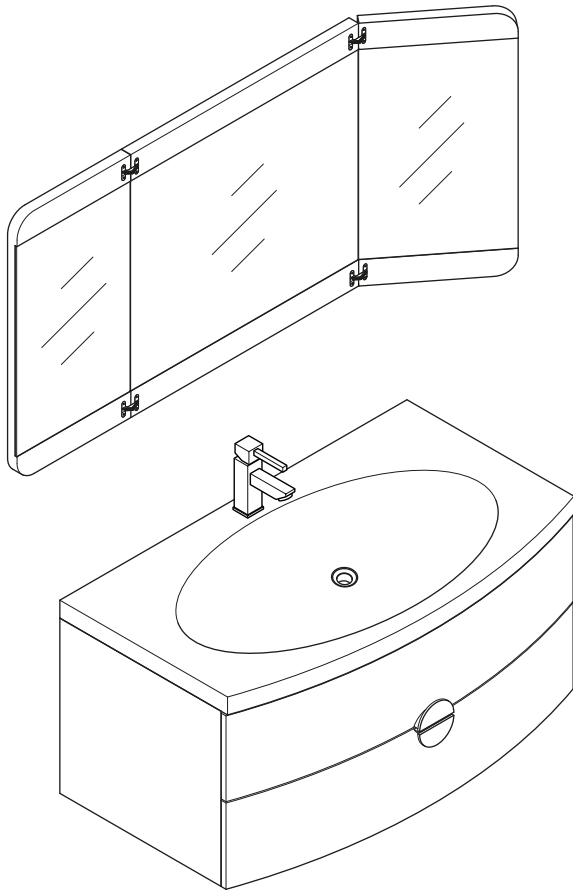
Cabinet...(FCB5092).....	PAGE 4-5 (STEPS 1-4)
Sink..... (FVS5092).....	PAGE 5 (STEP 5)
Mirror.....(FMR5092).....	PAGE 3



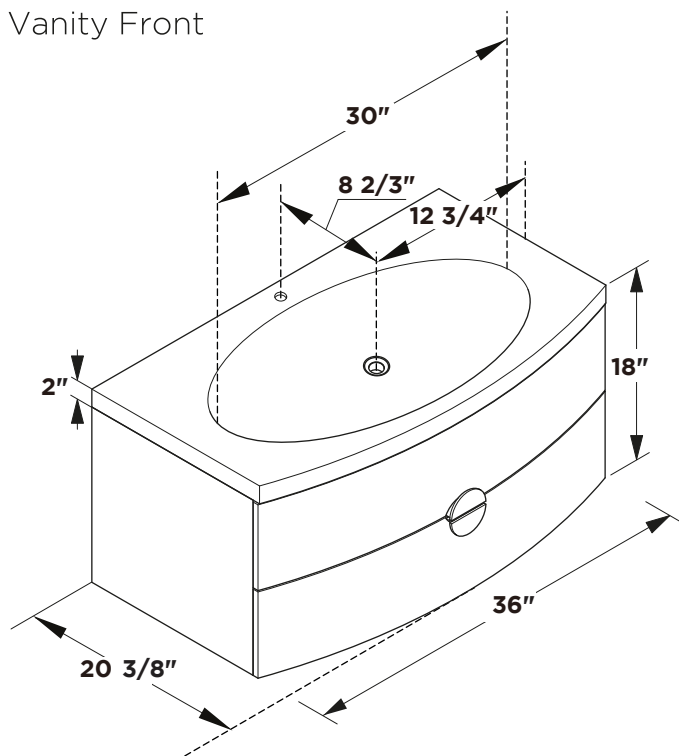
FVN5092
ENERGIA
INSTALLATION GUIDE



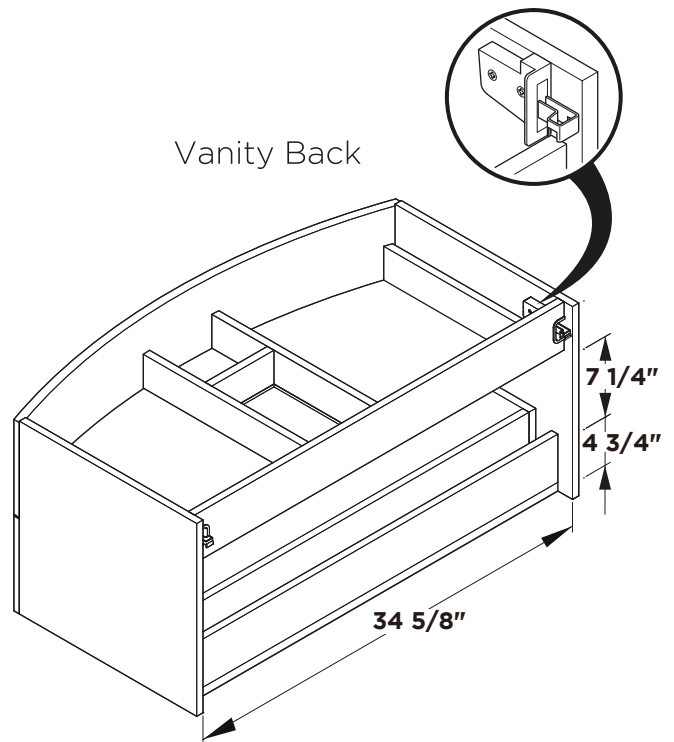
FRESCA™



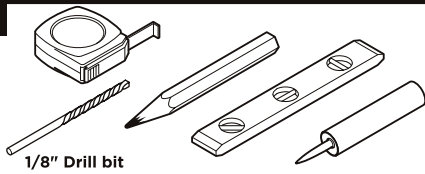
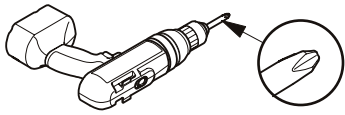
Vanity Front



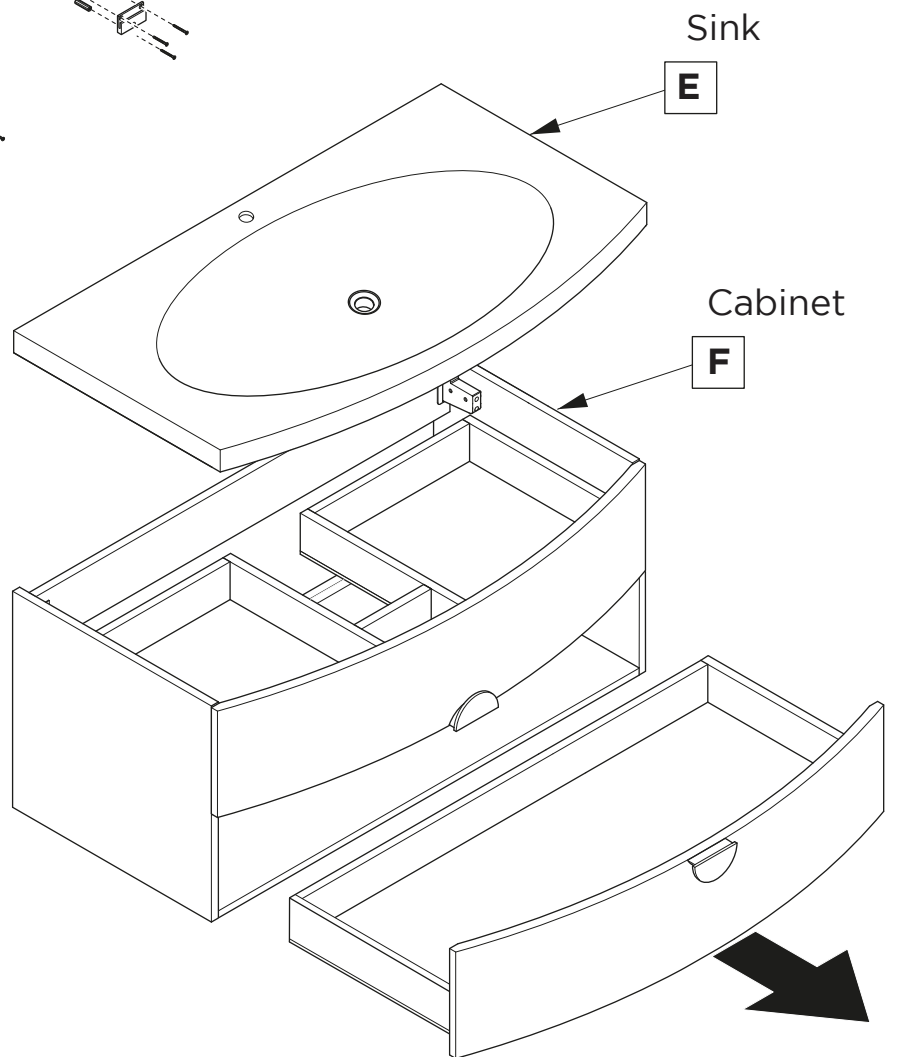
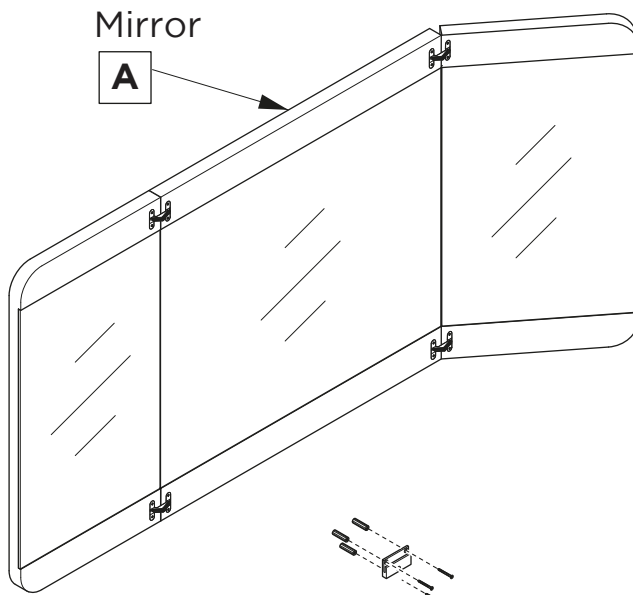
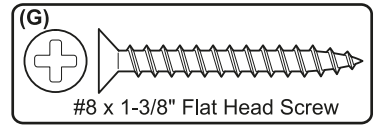
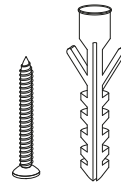
Vanity Back



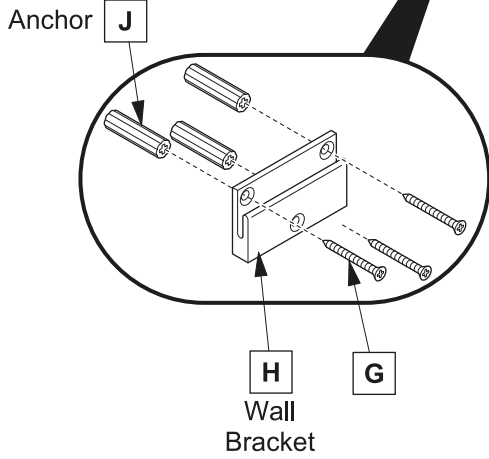
TOOLS FOR ASSEMBLY



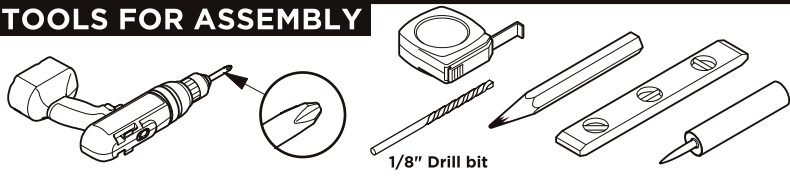
PARTS



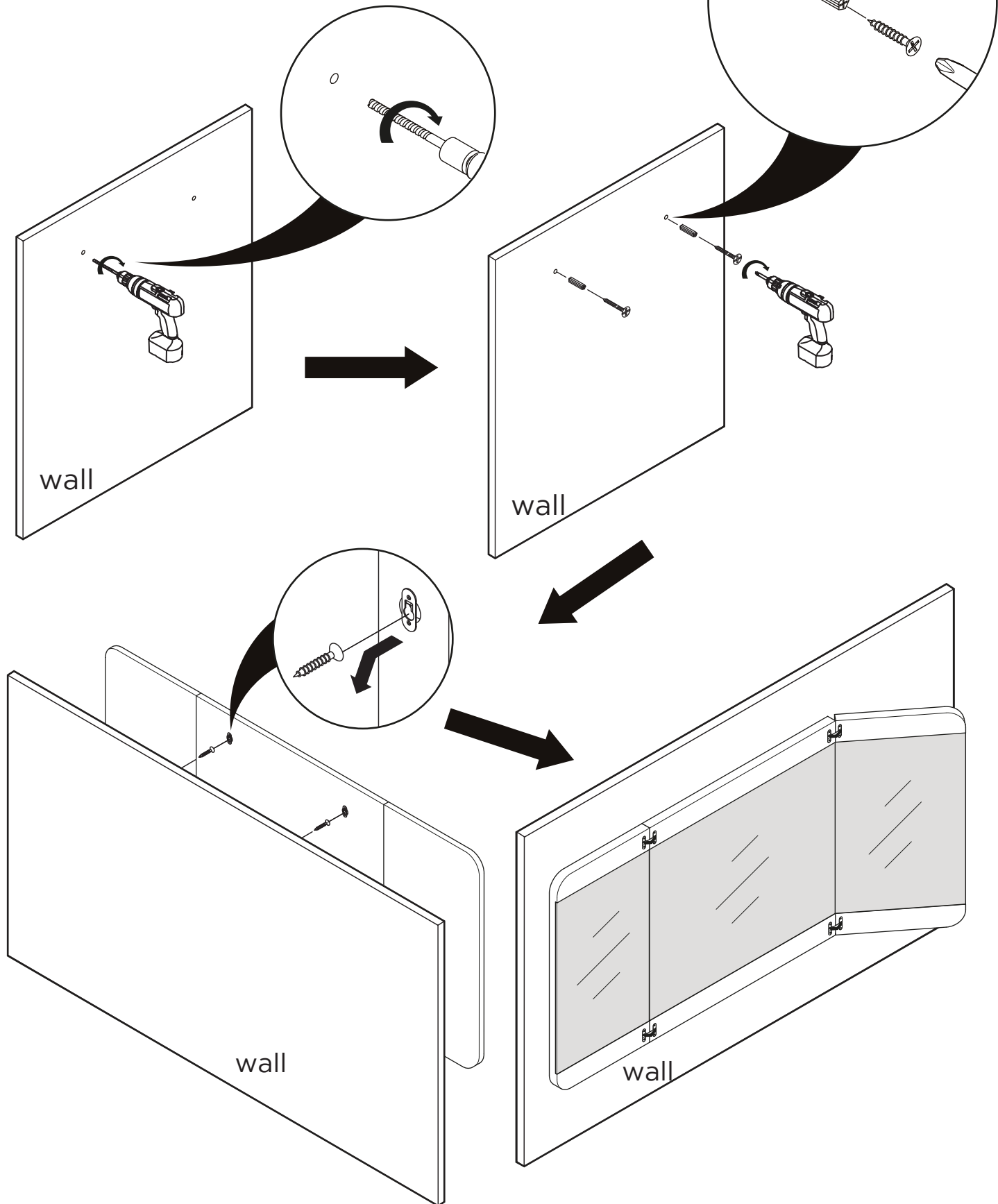
NOTE: Only use anchors (J) if stud (2"x4" frame) is not available.



TOOLS FOR ASSEMBLY

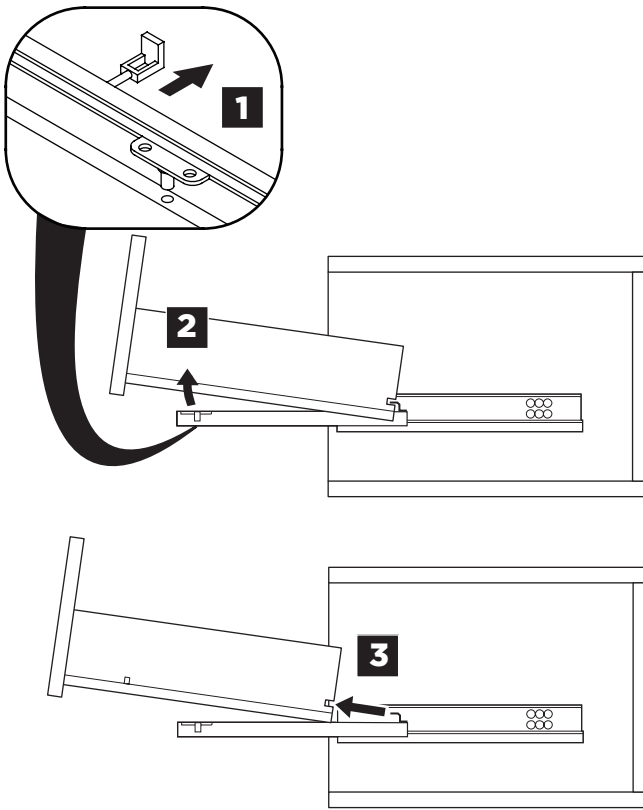


MIRROR INSTALLATION

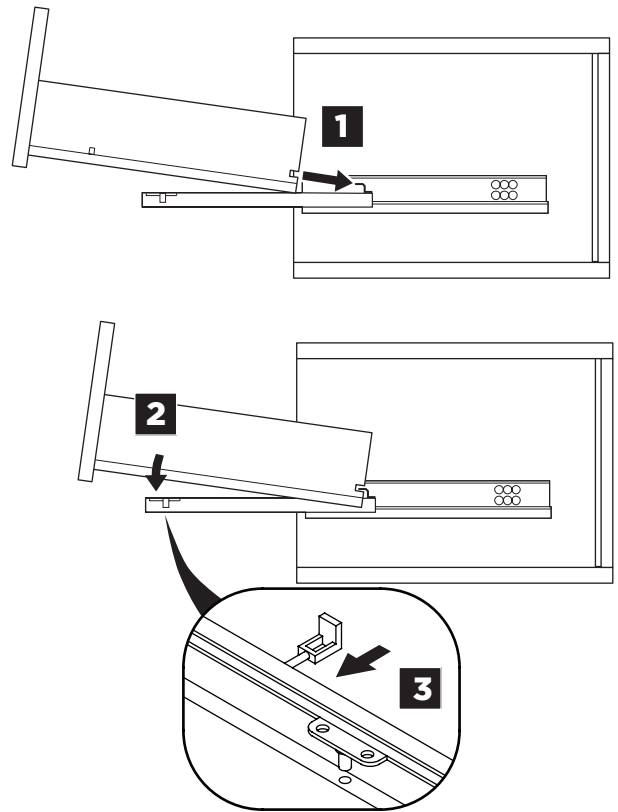


DRAWER REMOVAL & INSTALLATION

REMOVAL



INSTALLATION

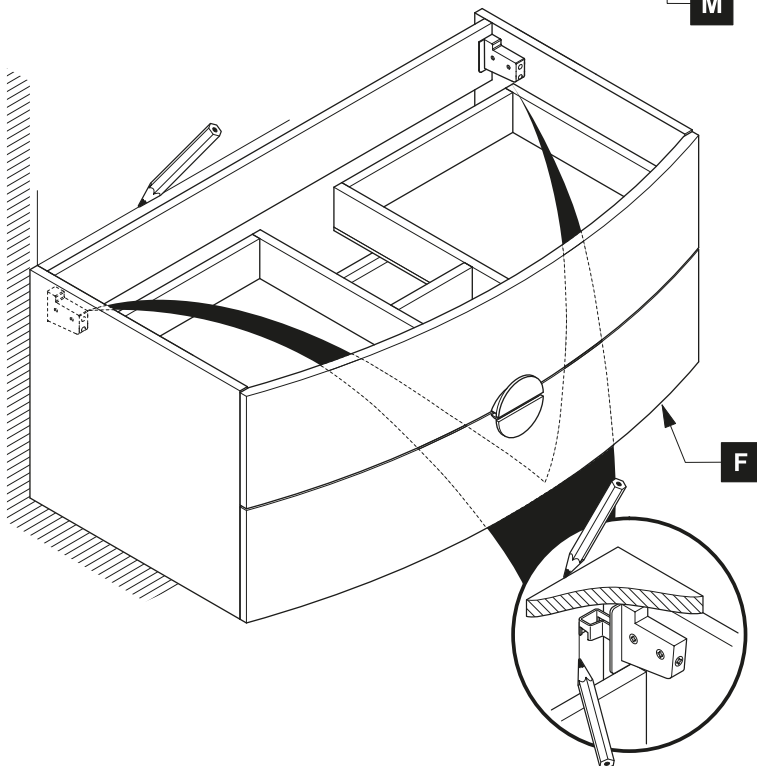
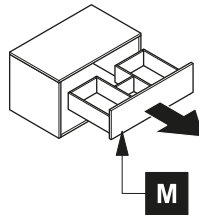


1

Remove drawer (M)

2

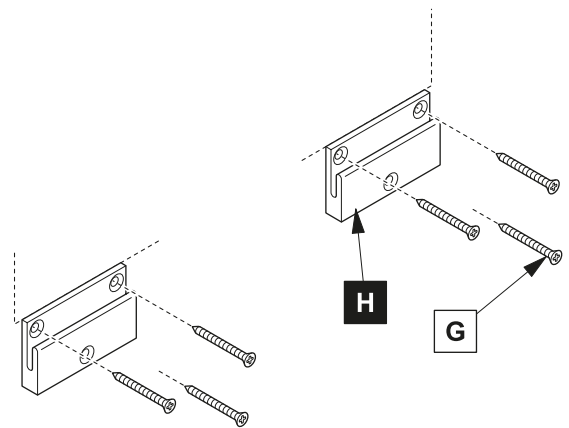
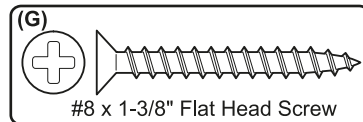
Locate cabinet (F) & mark location



3

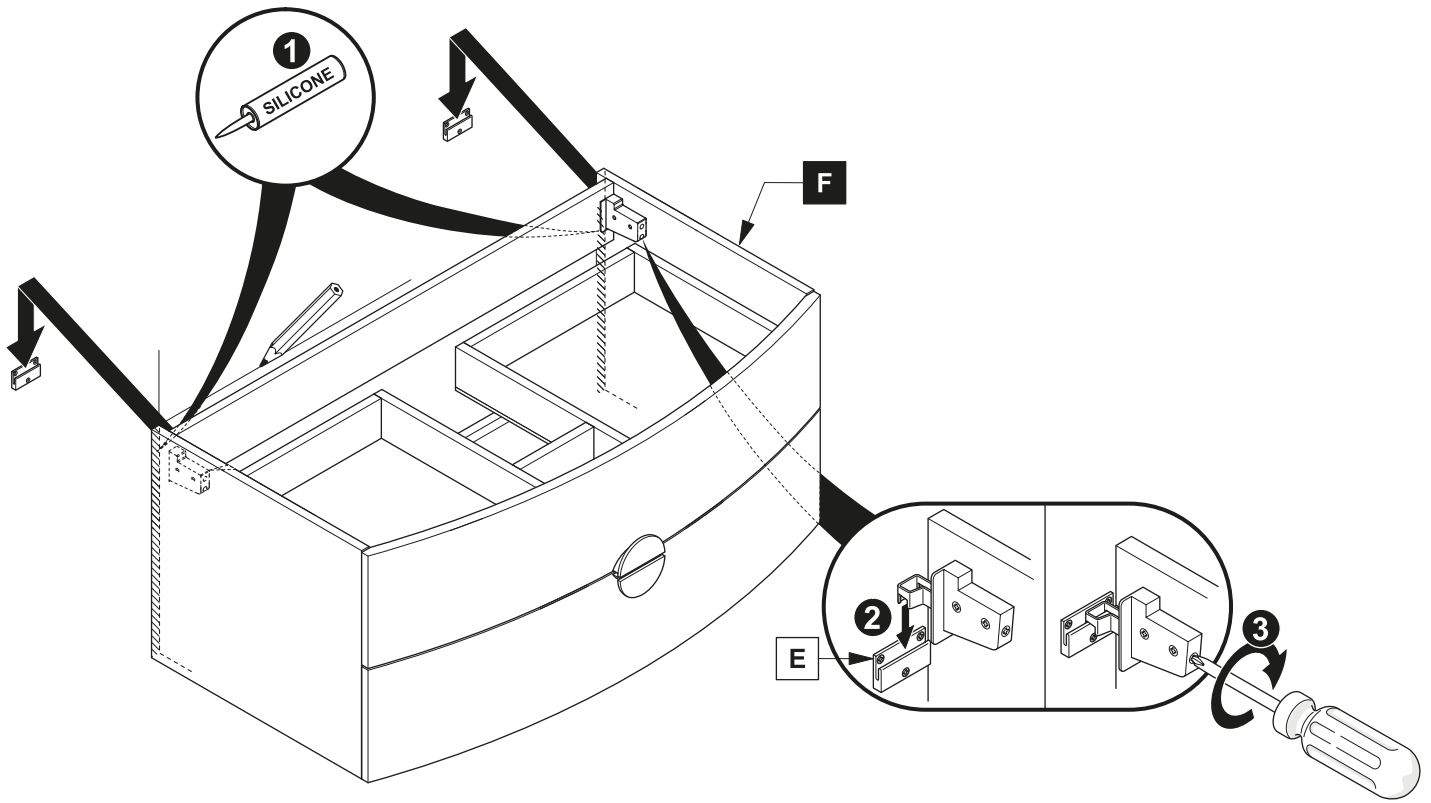
Install wall brackets (H)

IMPORTANT: Consult an expert for the proper screws/bolts to use when attaching to various wall constructions. Screws provided do not attach to all wall construction types.



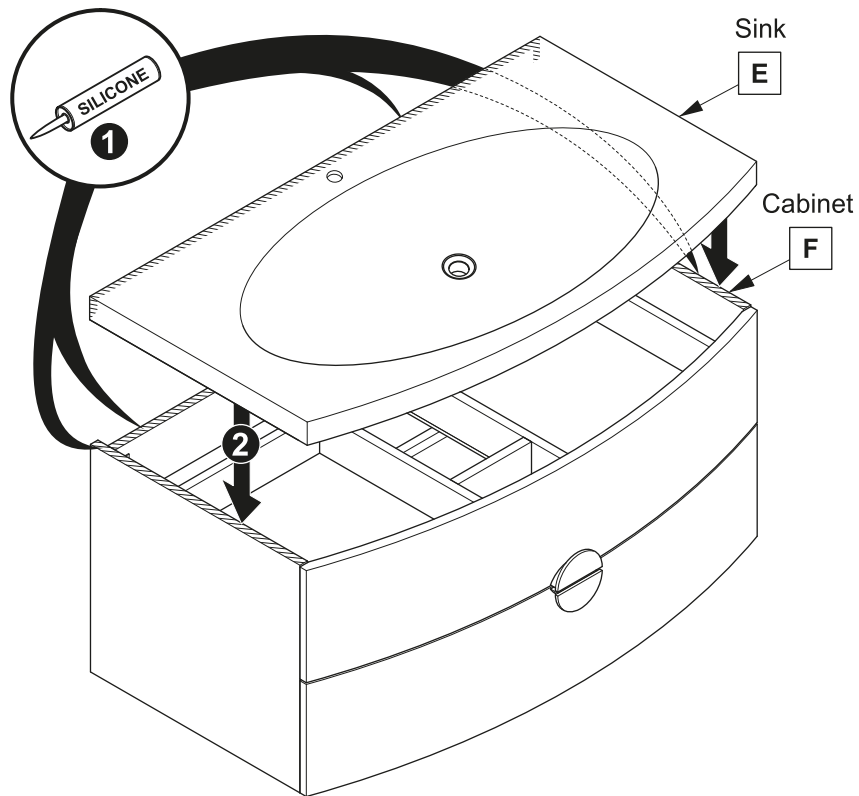
4

Apply silicone and install cabinet (F)



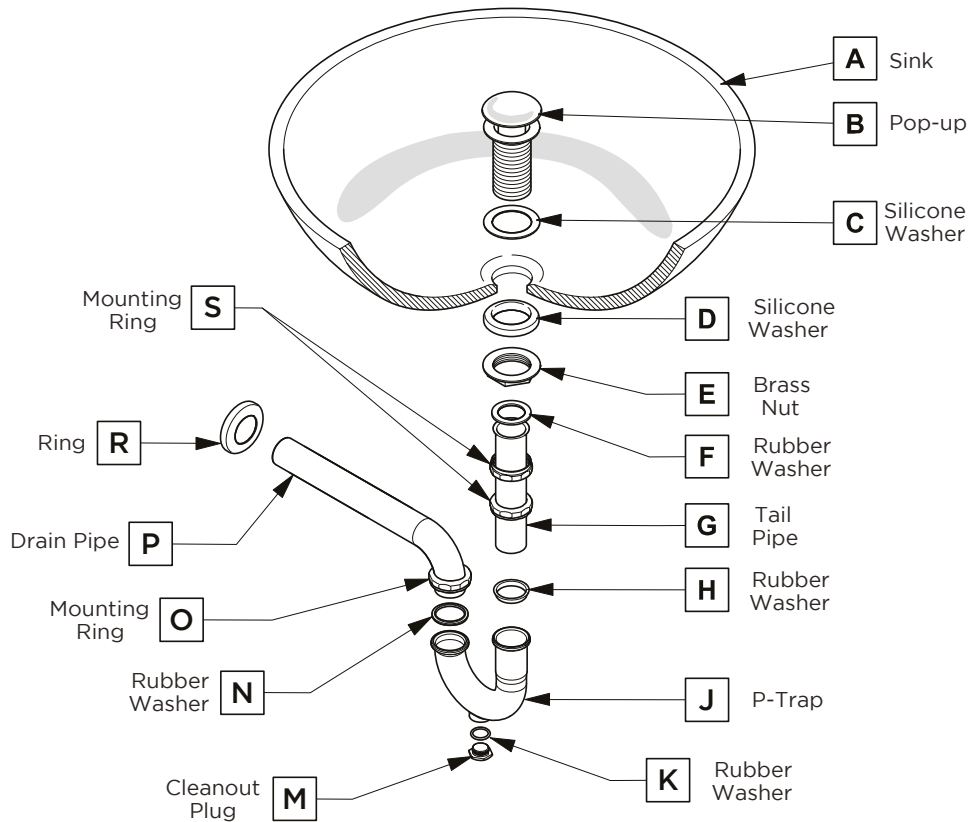
5

Apply silicone and install sink (E)



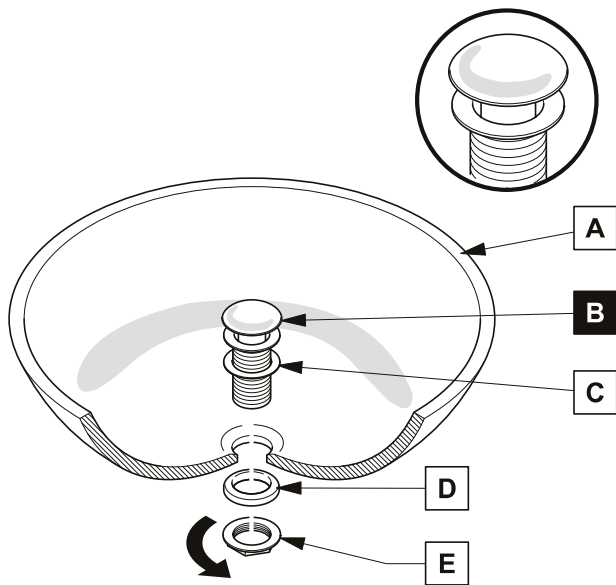
P-TRAP AND POP-UP INSTALLATION INSTRUCTIONS

Your item may appear slightly different from the illustration



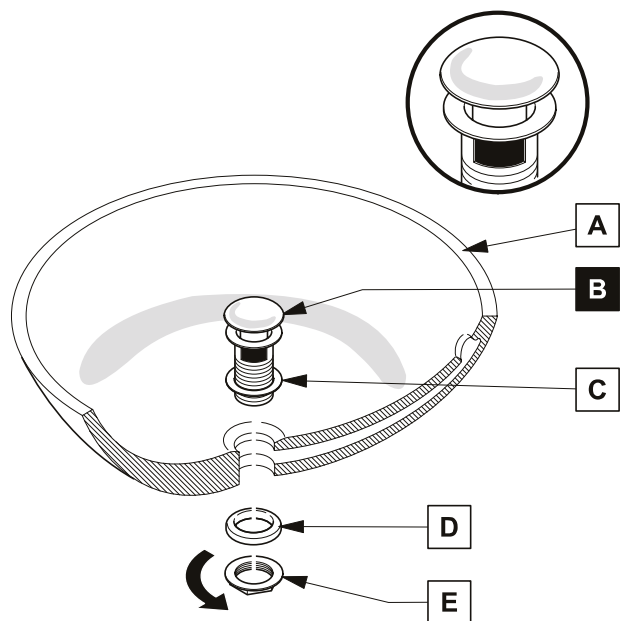
POP-UP INSTALLATION

FOR SINKS WITHOUT OVERFLOW



OR

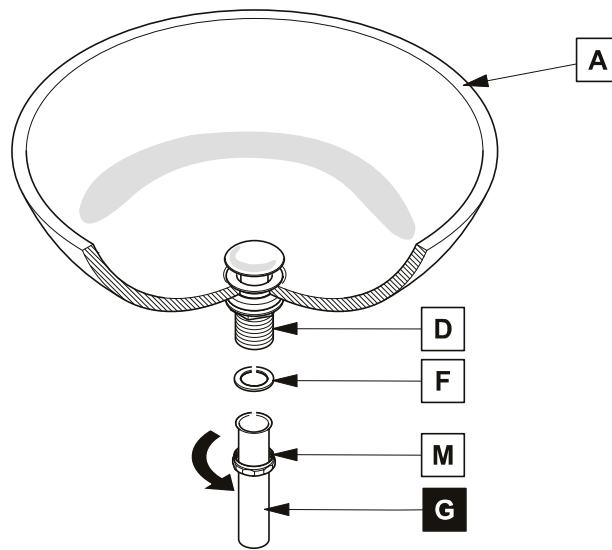
FOR SINKS WITH OVERFLOW



P-TRAP INSTALLATION

1

Install tail pipe (G)



2

Install p-trap (J)

