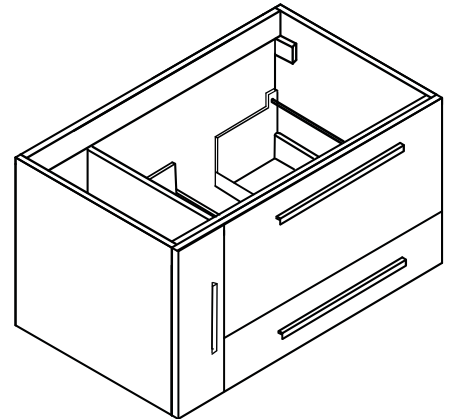
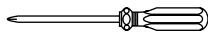


THANK YOU FOR CHOOSING RYVYR

Please take a few minutes to review this manual before you start installation. If you encounter any installation problems, please don't hesitate to contact us. Before you begin, please observe all local building codes. Unpack the new product and inspect for damage. Please ensure the finished wall is straight and plumb and the floor is flat and perpendicular to the finished wall.



SUGGESTED TOOLS AND MATERIALS



Phillips Screwdriver



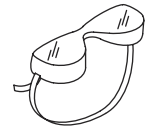
Level



Drill

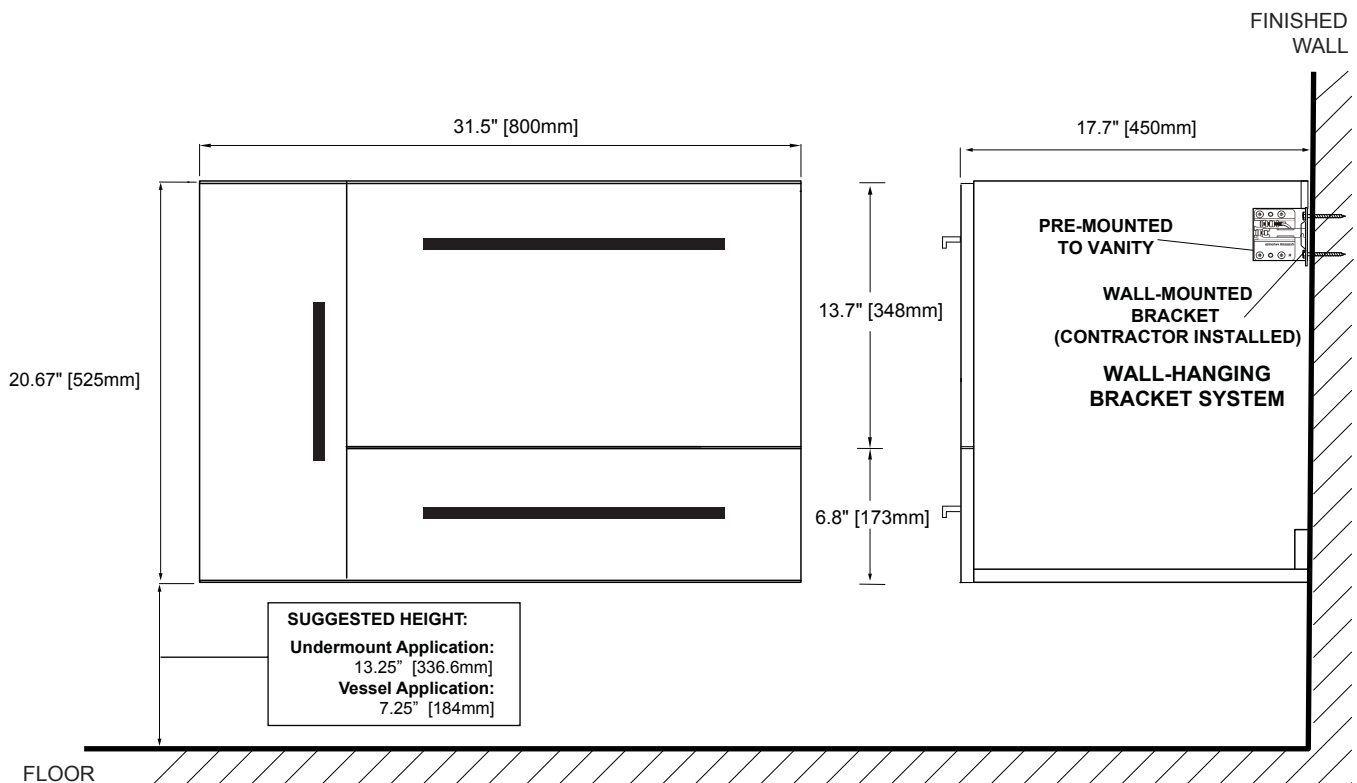


Tape Measure



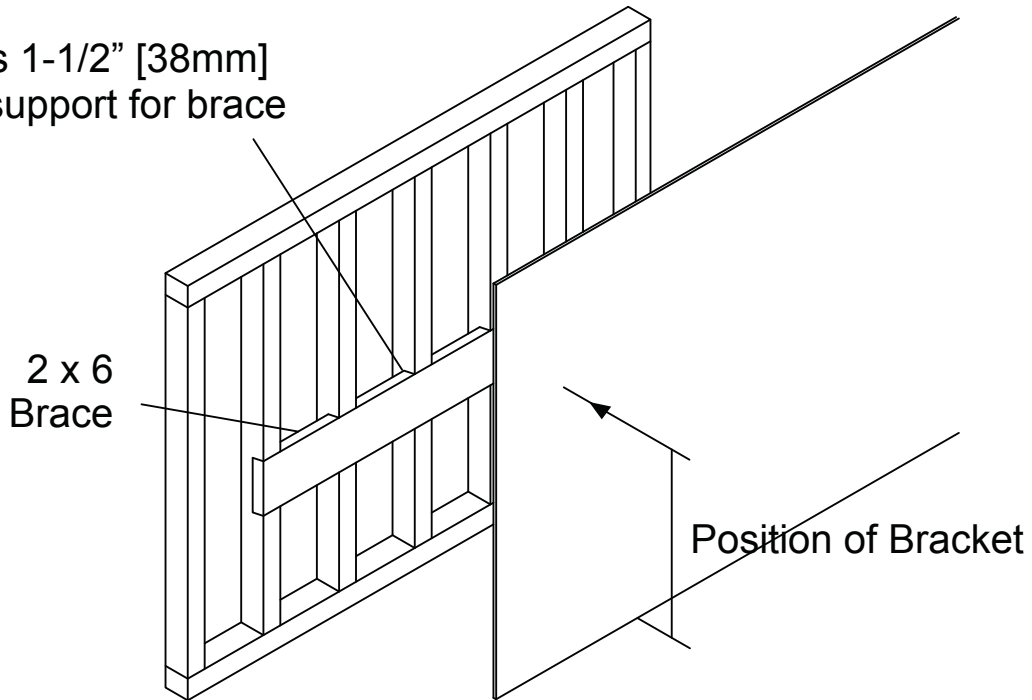
Safety Glasses

ROUGH-IN DIMENSIONS

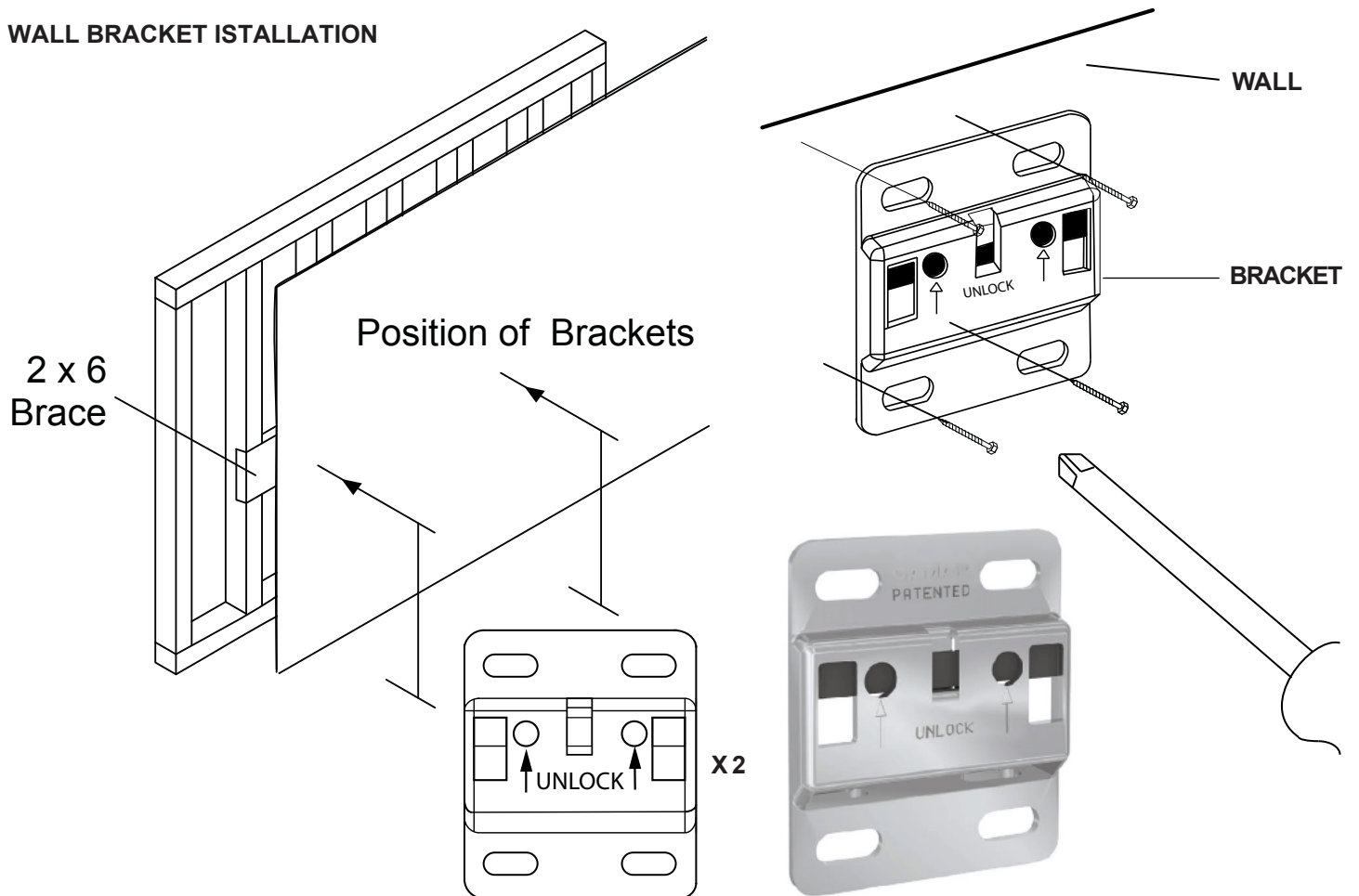


WALL PREPARATION

Notch studs 1-1/2" [38mm]
to provide support for brace

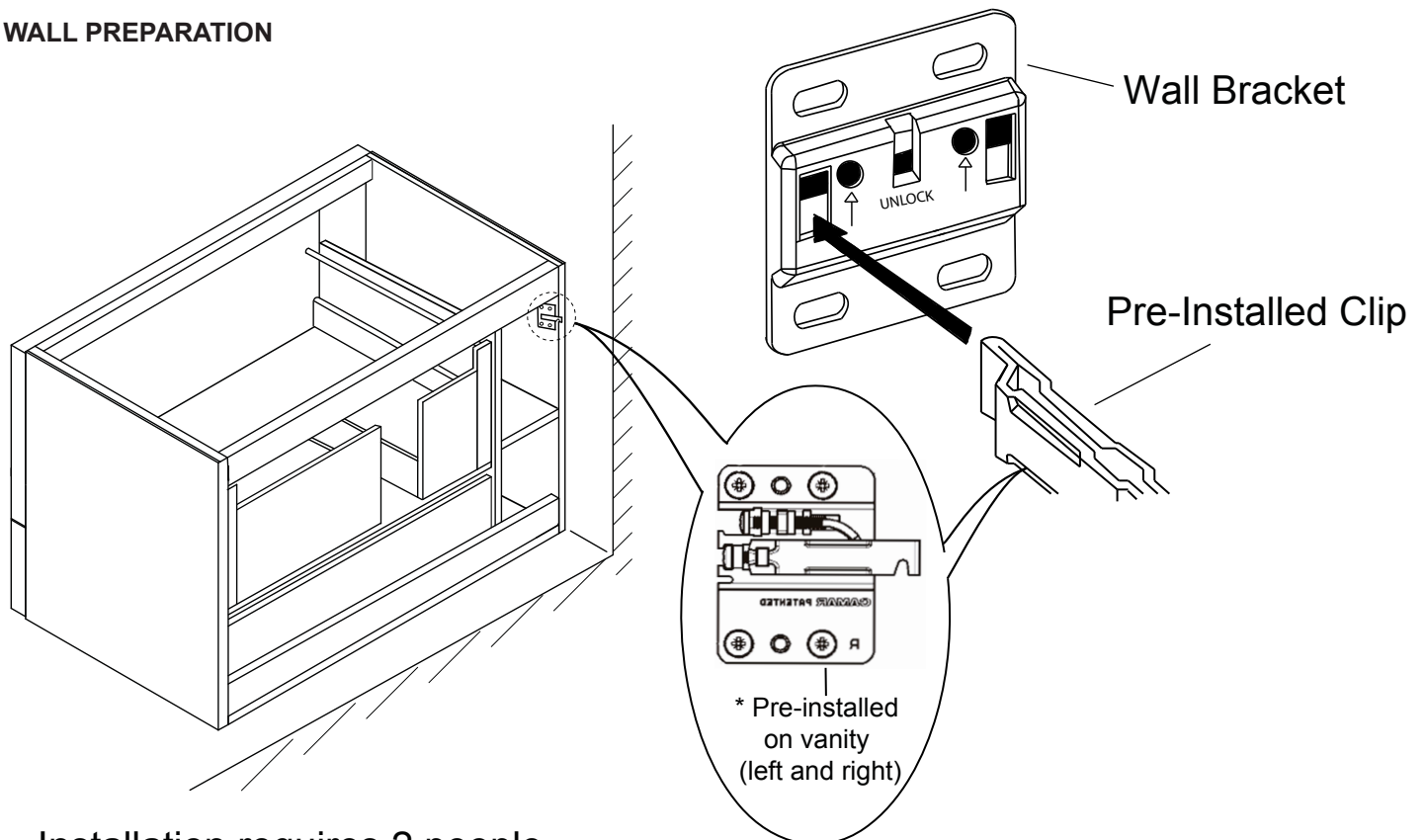


WALL BRACKET INSTALLATION



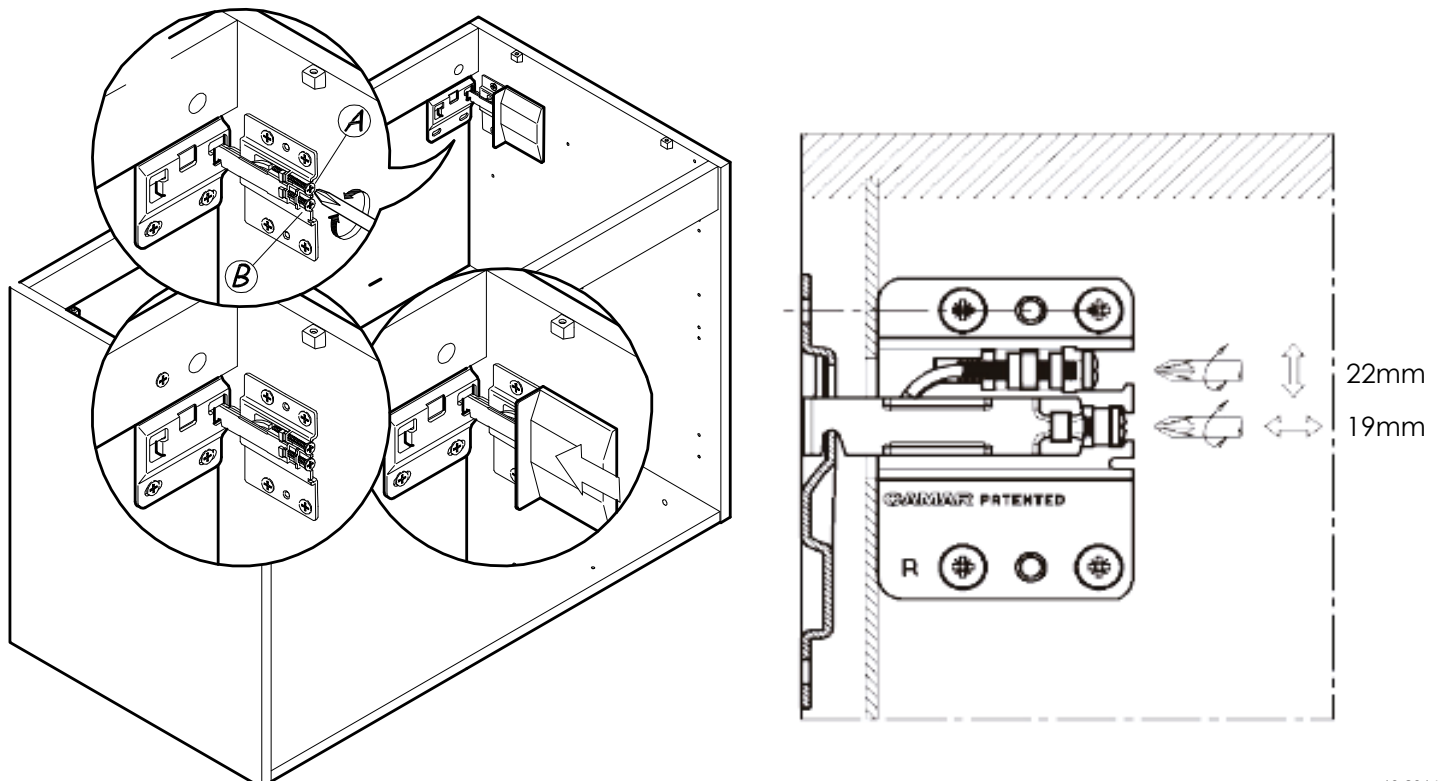
- With the screws provided, mount the mounting brackets onto the 2 x 6 brace.

WALL PREPARATION



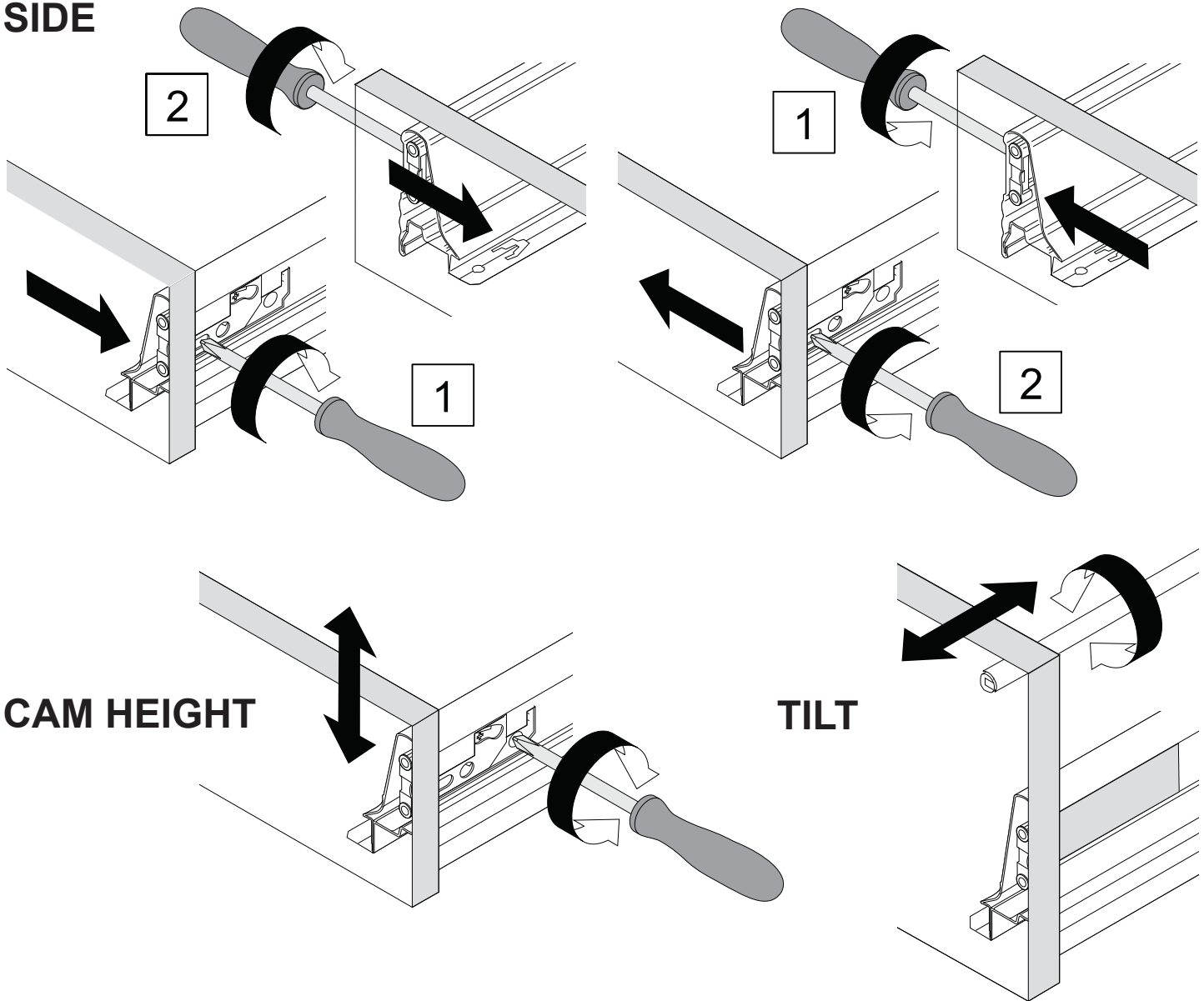
- Installation requires 2 people.
- Position the vanity against the finished wall.
- Insert vanity clip into the outside rectangular slot and allow it to drop down until it is seated securely in the wall bracket.

WALL BRACKET ADJUSTMENT



DRAWER ADJUSTMENT INSTRUCTIONS

SIDE



CARE AND CLEANING

- To maintain the beauty of the finish, avoid placing the furniture in direct sunlight, as sunlight causes fading. Also avoid extreme changes in temperature by arranging furniture away from radiators, heat and air vents, and air conditioning units. Avoid placing furniture directly under windows.
- Dust the vanity frequently with a clean, soft, dry, lint-free cloth, as well as polish it on a regular basis. Clean the surface by rubbing in the direction of the grain. Avoid using silicone cleaners and waxes.
- Clean up excess water and spills immediately. Use blotting rather than a wiping motion. Water left over a long period of time will cause white spots in the finish. Please note that some chemicals may damage the finish.