



DECO CLOSE COUPLED WATER CLOSET CISTERN OR TANK

Bath Fixtures



U.2936WH

Perrin & Rowe® water closets are handcrafted in the English town of Stoke-on-Trent, world renowned for its legendary vitreous china production

FEATURES

- Made in England
- Vitreous china, White only
- To complete package, order U.2865WH pan or bowl to make 2-piece toilet, must be ordered separately
- Perrin & Rowe® badge on side of tank
- Low water consumption 1.6 gallons per flush
- Overall height 30" with U.2865WH elongated pan or bowl
- Fluidmaster UPC listed file #0210 model #400 3" flush valve included
- Gravity feed flush
- Side mount tank lever position
- Cistern or tank lever not included, must be ordered separately, see U.6796 or C7950 spec
- Toilet seat not included, order separate model number RS2860 or RS2862
- Mounting bolts for attachment to U.2865WH pan or bowl included
- IAPMO certified

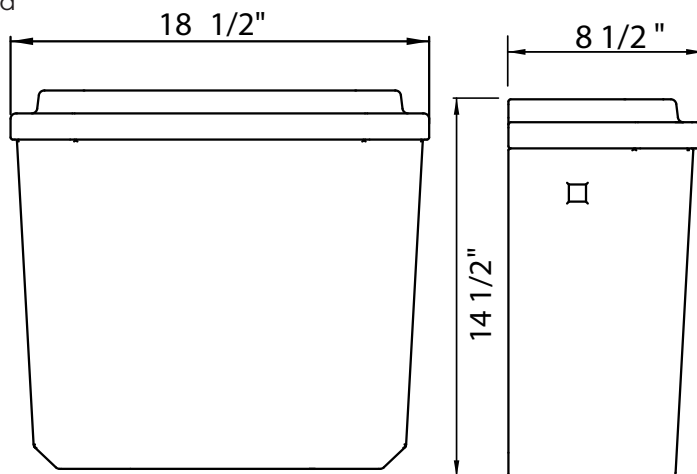
COLOR/FINISH

- White

WARRANTY

- Limited Lifetime

U.2936WH Deco Tank shown with U.2865WH Pan or Bowl





ELONGATED CLOSE COUPLED WATER CLOSET PAN OR BOWL

Bath Fixtures



U.2865WH

Perrin & Rowe® water closets are handcrafted in the English town of Stoke-on-Trent, world renowned for its legendary vitreous china production

FEATURES

- Made in England
- Vitreous china elongated design bowl, White only
- Exposed trapway
- Matching pan or bowl for both U.2936WH Deco and U.2866WH Victorian cisterns or tanks to make 2-piece toilet, bowl and tank must be ordered separately
- 12" rough
- 30" overall height with U.2936WH Deco or U.2866WH Victorian cisterns or tanks
- Perrin & Rowe® badge on top of pan or bowl behind seat attachment
- 2 1/8" diameter waste outlet
- Floor mounting bolts and bolt cover caps not included
- Toilet seat not included, must be ordered separately, see RS2860 and RS2862WH specs
- Comfortable 16 1/2" seat height with RS2860 seat
- Gravity feed flush
- Gravity siphon jet
- Rim wash
- Generous 8 1/2" x 10" water spot
- Passed protocol outlined in Maximum Performance (MaP) Testing, Version 2-September, 2005
- IAPMO certified

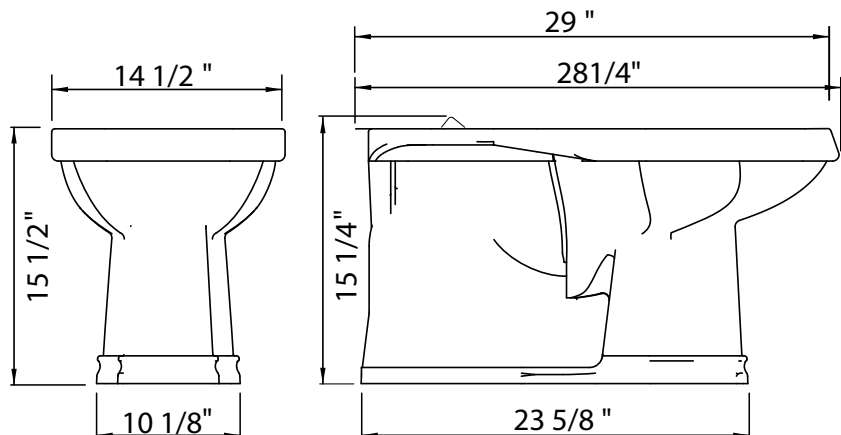
COLOR/FINISH

- White

WARRANTY

- Limited Lifetime

U.2865WH Pan or bowl shown with U.2866WH Victorian Tank





DECORATIVE TOILET SEAT

Bath Fixtures

RS2860

FEATURES

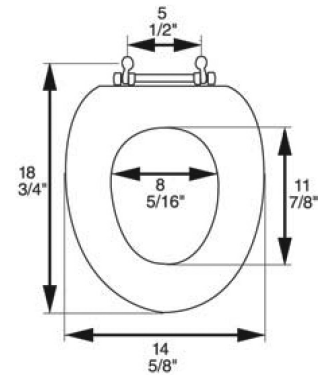
- Mahogany closed front with cover
- Solid Oak construction
- Piano finish – Durable prevents warping and cracking
- Non Corrosive hinge post and hardware
- Ring thickness: 1"
- Ring Thickness with Bumper: 1 3/8"
- Height of Seat with Cover: 2 3/4"

COLORS/FINISHES

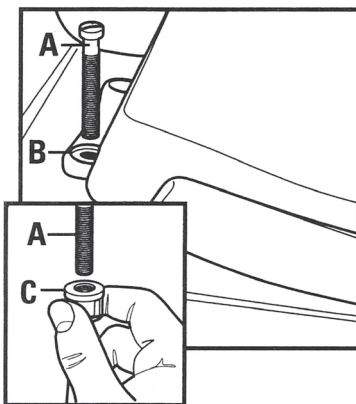
- Polished Chrome
- Polished Nickel
- Satin Nickel
- Tuscan Brass
- Inca Brass
- Antico Brass
- English Bronze

WARRANTY

- Limited Lifetime



RS2860 INSTALLATION



1. Carefully remove old seat.
 2. Place new toilet seat on toilet bowl.
 3. Make sure that the hinge bolts (A) are inserted through or connected to the seat hinge.
 4. Insert hinge bolts (A) through the holes in the rear of the toilet bowl.
 5. Place the nuts (C) on the hinge bolts (A) and tighten until the nut is firmly seated.
- Important:** Do not over tighten the nuts as this could crack the toilet bowl.

CLEANING INSTRUCTIONS

IMPORTANT INSTRUCTIONS FOR MAINTAINING THE FINISH

When cleaning your toilet seat, wash it only with mild, soapy water. Rinse the seat thoroughly with clean water and dry with a soft cloth. This will help keep your seat looking new for years to come. **NEVER** use abrasive scouring powders or detergents, disinfectants or cleaning products in aerosol cans as they can damage your seat's lustrous finish. In addition, some bathroom cleaners and cosmetic products may damage the seat's finish so use proper caution.



CISTERN LEVER

Bath Fixtures



U.6796

FEATURES

- Made in England
- Includes both porcelain and metal inserts

COLORS/FINISHES

- Polished Chrome
- Polished Nickel
- Satin Nickel
- Inca Brass
- English Bronze

WARRANTY

- Limited Lifetime

