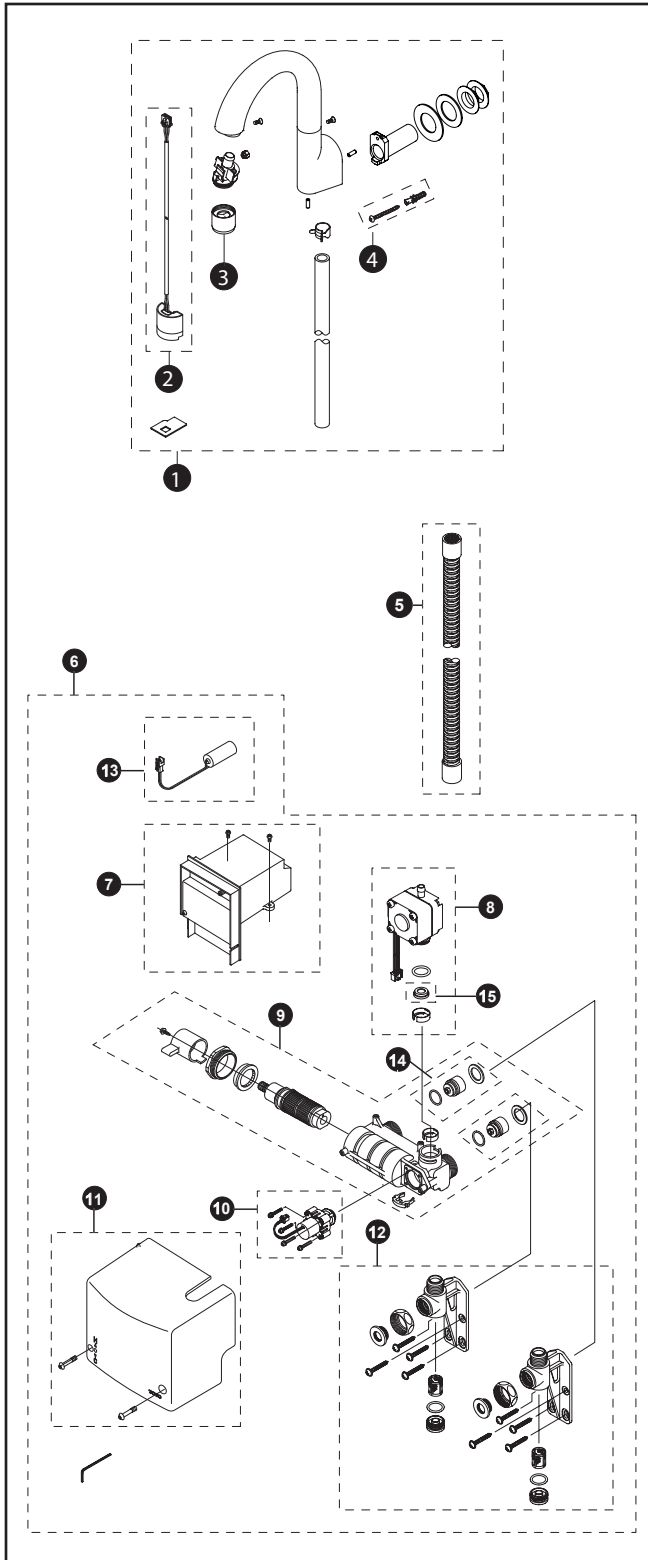


# TEL5LGW10#CP

TEL5LGW10#CP  
 TEL210GRV200 (Spout)  
 TN78-10V710 (Dynamo)

## Sensor Faucet, Gooseneck Wall Mount Spout EcoPower® Self-Generating System Thermal Mixing, 0.5 GPM



Item	Part	Description
1	TEL210GRV200	Spout Assembly (Without Flexible Tube)
2	TH559EDV405	Sensor
3	TH559EDV565	Nozzle Assembly Set (0.5 GPM Aerator Flow Type)
4	THP4514	Machine Screw and Wall Anchor
5	THU3023	Flexible Tube
6	TN78-10V710	Dynamo Assembly
7	TH559EDV560	Thermal Dynamo Control Unit 10 sec.
8	TH559EDV563	0.5 GPM Dynamo & Flow Control Unit
9	TH559EDV469	Thermal Mixing Valve
10	TH559EDV470	Solenoid & Diaphragm Assembly
11	TH559EDV471	Control Cover Set
12	TH559EDV429R	Mounting Bracket Set
13	TH559EDV410R	Back-Up Battery
14	TH559EDV472	Check Valve
15	TH559EDV570	0.5 gpm Flow Regulator

### Product Number Explanations

#### Sensor Faucet

- (T) Fitting
- (E) Electronic
- (L) Lavatory
- (5) Thermal Mixing
- (L) 0.5 GPM Generator Type
- (GW) Gooseneck Wall Mount Spout
- (10) 10 Second
- (#CP) Chrome Finish