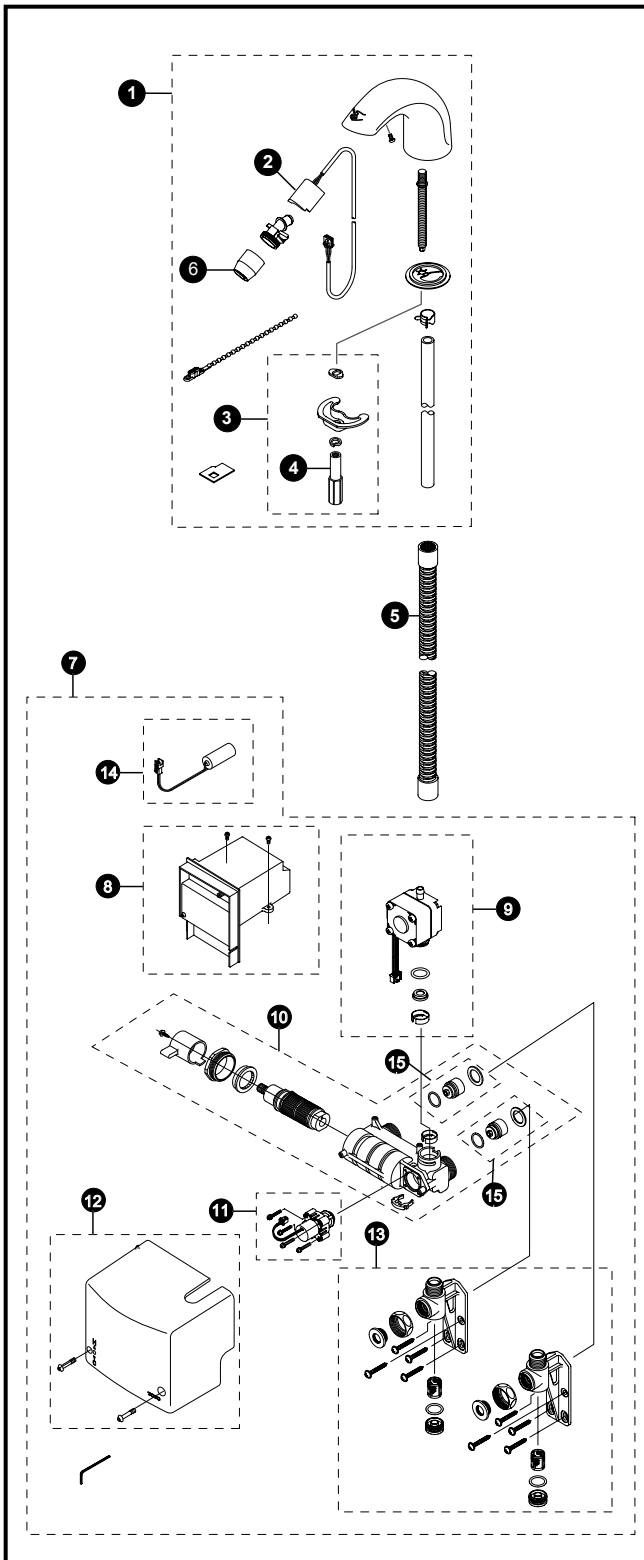


TEL5GS10#CP
 TEL5GS60#CP
 TEN40AWW100R (Spout)
 TN78-10V510 (TEL5GS10#CP Dynamo)
 TN78-10V560 (TEL5GS60#CP Dynamo)

**Sensor Faucet, Standard Spout
 Self-Generating EcoPower® System
 Thermal Mixing, 1.0 GPM**



Item	Part	Description
1	TEN40AWW100R	Spout Assembly (Without Flexible Tube)
2	TH559EDV545	Sensor
3	TH559EDV402R	Spout Mounting Kit
4	TH559EDV403R	Spout Nut
5	THU3023	Flexible Tube
6	TH559EDV567	Nozzle Assembly Set (Aerator Flow Type)
7	TN78-10V510	Dynamo Assembly (TEL5GS10#CP)
	TN78-10V560	Dynamo Assembly (TEL5GS60#CP)
8	TH559EDV560	Thermal Dynamo Control Unit 10 sec.
	TH559EDV467	Thermal Dynamo Control Unit 60 sec.
9	TH559EDV561	Dynamo & Flow Control Unit
10	TH559EDV469	Thermal Mixing Valve
11	TH559EDV470	Solenoid & Diaphragm Assembly
12	TH559EDV471	Control Cover Set
13	TH559EDV429R	Mounting Bracket Set
14	TH559EDV410R	Back Up Battery
15	TH559EDV472	Check Valve
16	TN71V100S	Cover Plate - 4"
17	71244T8CC	Cover Plate - 8"

Product Number Explanations

Faucet
 (T) Fitting
 (E) Electronic
 (L) Lavatory
 (S) Standard Spout
 (5) Thermal Mixing
 (G) Generator Type
 (10) 10 Second
 (60) 60 Second
 (#CP) Chrome Finish