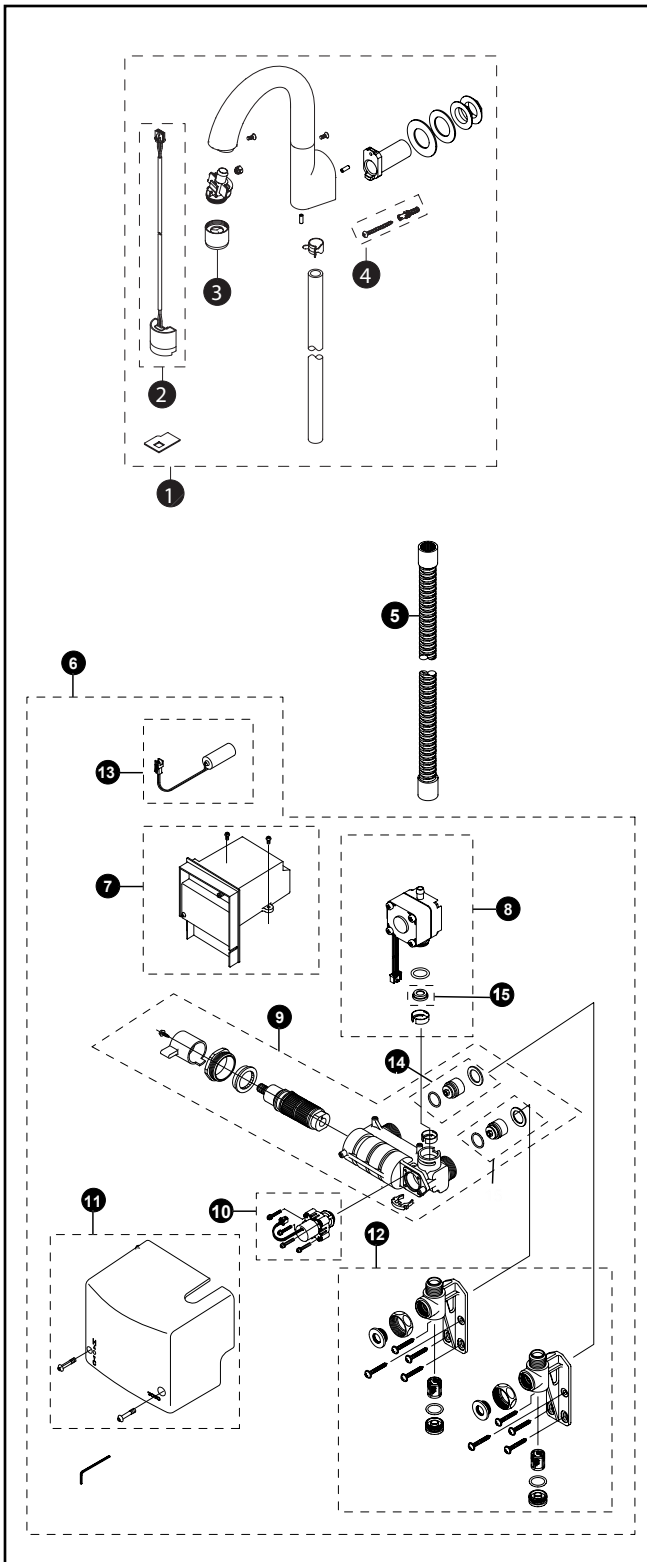


TEL5GGW10#CP
 TEL5GGW60#CP
 TEL210GRV100 (Spout)
 TN78-10V510 (TEL5GGW10#CP Dynamo)
 TN78-10V560 (TEL5GGW60#CP Dynamo)

**Sensor Faucet, Gooseneck Wall Mount Spout
 Self-Generating EcoPower® System
 Thermal Mixing, 1.0 GPM**



Item	Part	Description
1	TEL210GRV100	Spout Assembly (Without Flexible Tube)
2	TH559EDV405	Sensor
3	TH559EDV564	Nozzle Assembly Set (Aerator Flow Type)
	TH559EDV432	Nozzle Assembly Set (Laminar Flow Type)
4	THP4514	Machine Screw and Wall Anchor
5	THU3023	Flexible Tube (Regular Spout)
6	TN78-10V510	Dynamo Assembly (TEL5GGW10#CP)
	TN78-10V560	Dynamo Assembly (TEL5GGW60#CP)
7	TH559EDV560	Thermal Dynamo Control Unit 10 sec.
	TH559EDV467	Thermal Dynamo Control Unit 60 sec.
8	TH559EDV561	Dynamo & Flow Control Unit
9	TH559EDV469	Thermal Mixing Valve
10	TH559EDV470	Solenoid & Diaphragm Assembly
11	TH559EDV471	Control Cover Set
12	TH559EDV429R	Mounting Bracket Set
13	TH559EDV410R	Back Up Battery
14	TH559EDV472	Check Valve
15	TH559EDV572	1.0 gpm Flow Regulator

Product Number Explanations

Faucet
 (T) Fitting
 (E) Electronic
 (L) Lavatory
 (S) Thermal Mixing
 (G) Generator Type
 (GW) Gooseneck Wall Mount
 (10) 10 Second
 (60) 60 Second
 (#CP) Chrome Finish