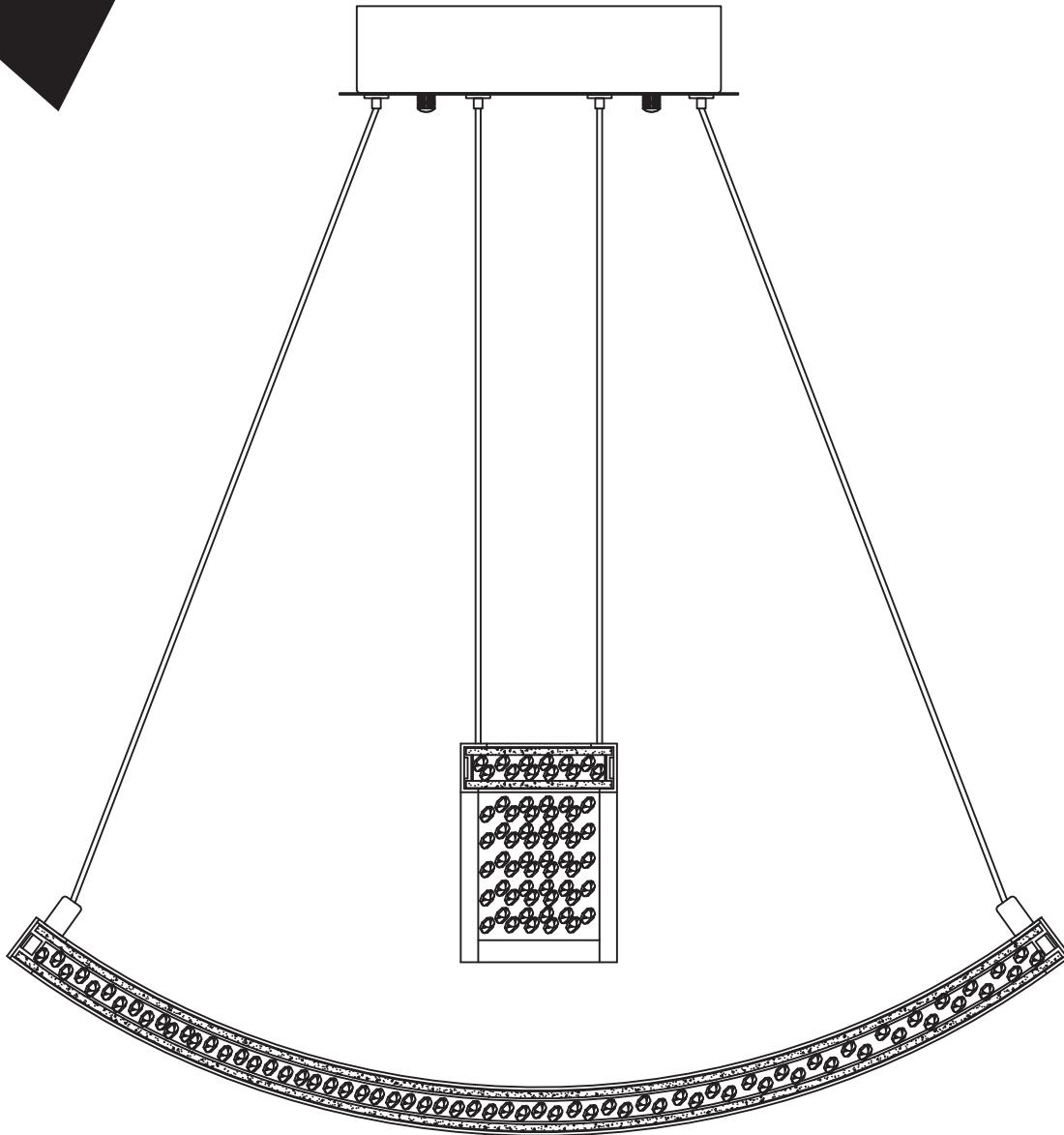




# LED 2-LIGHT PENDANT

MODEL #83494

Français p. 9



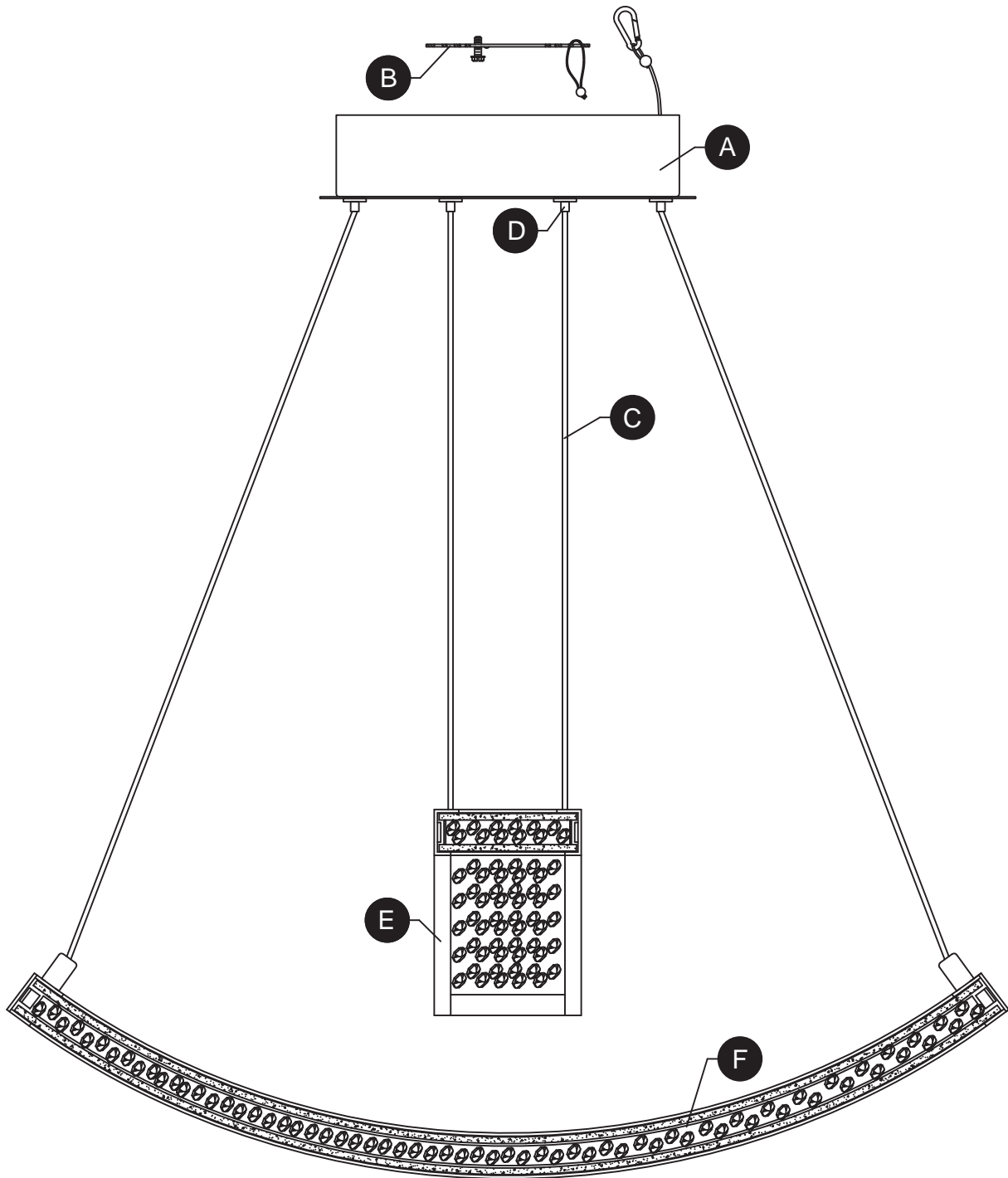
**ATTACH YOUR RECEIPT HERE**

Serial Number \_\_\_\_\_ Purchase Date \_\_\_\_\_



Questions, problems, missing parts? Before returning to your retailer, call our customer service department at **1-855-226-7169**, 8 a.m. - 4 p.m., EST, Monday - Friday.

**PACKAGE CONTENTS**

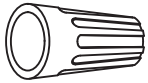


PART	DESCRIPTION	QUANTITY
A	Canopy	1
B	Mounting Bracket	1
C	Cable	8
D	Compression Fitting	8
E	Upper LED Assembly	1
F	Lower LED Assembly	1

## HARDWARE CONTENTS

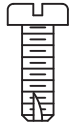
---

AA



Wire  
Connector  
Qty: 3

BB



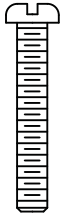
Short  
Machine  
Screw  
Qty: 2

CC



Threaded  
Knob  
Qty: 2

DD



Long  
Machine  
Screw  
Qty: 2



### SAFETY INFORMATION

---

Please read and understand this entire manual before attempting to assemble, operate or install the product.



### WARNING

- **IMPORTANT:** NEVER attempt any work without shutting off the electricity.
- Go to the main fuse box, or circuit breaker, in your home. Place the main power switch in the "OFF" position and unscrew the fuse(s), or switch "OFF" the circuit breaker switch(es), that control the power to the fixture or room that you are working on.
- Place the wall switch in the "OFF" position. If the fixture to be replaced has a switch or pull chain, place those in the "OFF" position.
- Do not touch hot LED.
- The LED light output is strong enough to injure human eyes. Precautions must be taken to prevent looking directly at the LEDs with unaided eyes for more than a few seconds.
- **WARNING:** California Prop 65: This lighting fixture contains chemicals known to the state of California to cause cancer, birth defects, and/or other reproductive harm. Wash hands after use.

### CAUTION

- Read and understand all instructions and illustrations completely before proceeding with assembly and installation of this fixture.
- If you have any doubts about how to install this lighting fixture, or if the fixture fails to operate completely, please contact a qualified licensed electrical contractor.
- All parts must be used as indicated in these instructions. Do not substitute any parts, leave parts out, or use any parts that are worn out or broken. Failure to obey this instruction could invalidate the UL listing, C.S.A. certification, and/or ETL listing of this fixture.
- This fixture is intended for installation in accordance with the National Electric Code (NEC) and all local code specifications.
- This lighting fixture is for indoor use only.
- Use **ONLY** the supplied LED driver to power fixture.
- Driver cable is not intended for use through or concealed behind walls, floors, or ceilings.
- Do **NOT** operate fixture if any lights are not operating or operating improperly or fixture could be further damaged.

## PREPARATION

Before beginning assembly of product, make sure all parts are present. Compare parts with package contents list. If any part is missing or damaged, do not attempt to assemble the product.



**Estimated assembly time: 30 minutes to 1 hour**

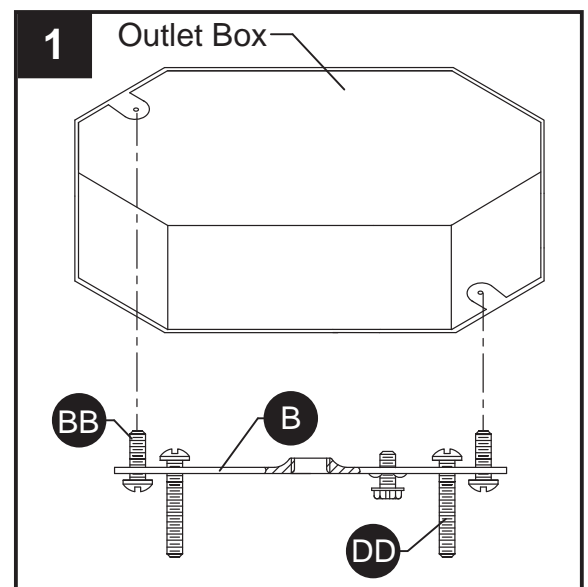
Tools Required for Assembly (not included): Phillips screwdriver, flathead screwdriver, wire strippers, electrical tape, ladder, safety glasses.

## ASSEMBLY INSTRUCTIONS

1. Orient the mounting bracket (B) so the raised center portion protrudes into the outlet box (not included). Insert long machine screws (DD) through mounting bracket (B) so the long machine screws (DD) protrude outward. Connect the mounting bracket (B) to the outlet box with short machine screws (BB).

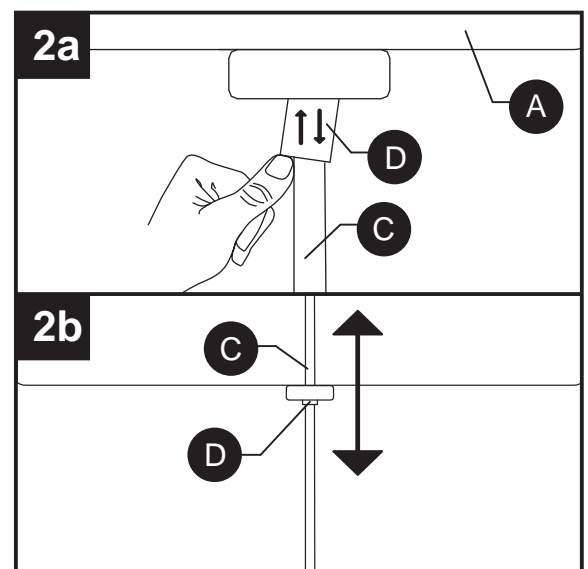
### Hardware Used

<b>BB</b>	Short Machine Screw		x 2
<b>DD</b>	Long Machine Screw		x 2



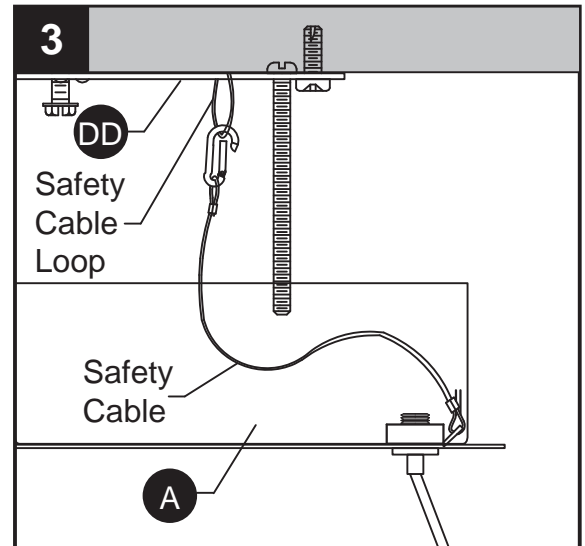
2. The hanging length of the cable (C) for this fixture is adjustable. Hold the fixture canopy (A) up against the ceiling to determine the desired length before the entire fixture is assembled.

The cable (C) is held in place by a compression fitting (D). Push up, and hold, the fitting's spring loaded tube (D) to release the cable (C) for adjustment.



## ASSEMBLY INSTRUCTIONS

3. Connect safety cable located in canopy (A) to the safety cable loop located on mounting bracket (DD).



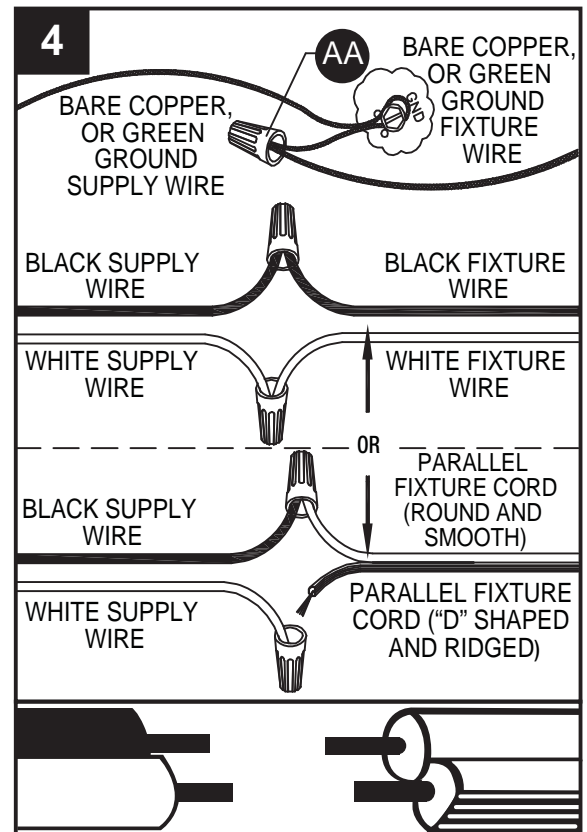
4. Wire connection guide:

Ground wire:

- **For installation in the United States:** Wrap ground wire from outlet box around ground screw on mounting bracket (B) no less than 2 in. from wire end. Tighten ground screw. If fixture is supplied with a ground wire, connect to outlet ground wire with a wire connector (AA).
- **For installation in Canada:** If fixture is supplied with ground wire, wrap ground wire around ground screw on mounting bracket (B). Tighten ground screw.

Supply wires:

- Connect the Neutral (White) supply wire from the outlet box to the Neutral fixture wire (White or Parallel Cord "D" shaped and ribbed).
- Connect the Hot (Black) supply wire from the outlet box to the Hot fixture wire (Black or Parallel Cord round and smooth).



### NOTE:

Fixture wires will either be:

- Black and White.
- Parallel Cord SPT-2 lamp wire with one round smooth wire and one "D" shaped ribbed wire.

### Hardware Used

AA Wire Connector

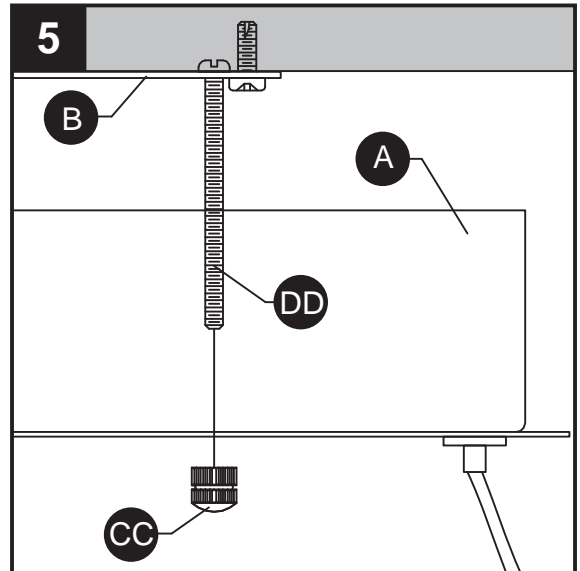


x 3

5

## ASSEMBLY INSTRUCTIONS

5. Pass the canopy (A) over the long machine screws (DD) protruding from the mounting bracket (B) and secure in place with threaded knobs (CC).



### Hardware Used



## CARE AND MAINTENANCE

- Always be certain that electric current is turned off before cleaning this item.
- Use a soft, moist cloth with mild non-abrasive soap to clean fixture. Never use glass cleaner on fixture, as it will damage the metal finish.
- All glass shades may be washed in a towel-lined sink with warm water and mild soap. Do not wash shades in an automatic dishwasher.

## TROUBLESHOOTING

PROBLEM	POSSIBLE CAUSE	CORRECTIVE ACTION
Fixture does not light.	Fixture may be wired incorrectly.	Check wiring.

## WARRANTY

---

élan Lighting warrants that its products will be free from defects in material and workmanship for one (1) year from the date of purchase by the Original Purchaser.

LED Rail, LED Lanterns, LED Wall Sconces, LED Pendants and LED Chandeliers for single family residences are warranted for one (1) year on the Light Engine and all other electrical components.

To replace a product that has a warranted defect, the Original Purchaser shall return any allegedly defective parts or products to the authorized élan distributor that the product was purchased from with PROOF OF PURCHASE, Original Purchaser's name and return address and a description of the claimed product defect.

If any of the warranted products are found by élan, in its sole discretion, to be defective, such products will, at élan's sole option and cost, be replaced, repaired or refunded less an amount directly attributable to Original Purchaser's prior use of the product. élan will return the repaired or replaced product prepaid freight. This warranty does not cover labor or other costs or expenses to remove or install any defective, repaired or replaced product.

The parties hereto expressly agree that Original Purchaser's sole and exclusive remedy against élan shall be for the repair, replacement or refund of defective products as provided herein. This warranty extends only to product ownership by the Original Purchaser; is not transferable whether to heirs, subsequent owners, or otherwise; and is void if the Original Purchaser ceases to own the product.

This warranty does not apply to any products that have been subjected to misuse, mishandling, misapplication, connected to voltage at more than 5% above standard North American voltage, unusual use (including but not limited to use in an environment where the annual average ambient operating temperature is below 27 or above 95 degrees Fahrenheit), neglect (including but not limited to improper maintenance), accident, acts of god such as high winds, improper installation or care, failure to follow the Product's written instructions for normal use and care, improper packaging of products returned to élan, modification (including but not limited to use of unauthorized parts or attachments), or adjustment or repair. Significant product exposure to chemicals, harsh cleaners, salt water or salt air will void any and all warranties on exterior finishes. This warranty only applies when all components, including transformers, have been provided by élan. Substituting another manufacturer's product and/or components will render the warranty completely void.

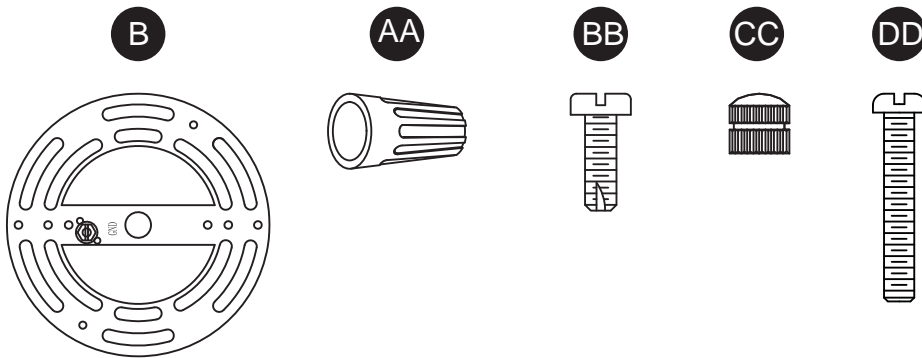
THIS WARRANTY GIVES YOU SPECIFIC LEGAL RIGHTS. YOU MAY ALSO HAVE OTHER RIGHTS, WHICH VARY FROM STATE TO STATE. SOME STATES DO NOT ALLOW LIMITATIONS ON HOW LONG AN IMPLIED WARRANTY LASTS OR THE EXCLUSION OR LIMITATION OF INCIDENTAL OR CONSEQUENTIAL DAMAGES SO THE ABOVE LIMITATIONS OR EXCLUSIONS MAY NOT APPLY TO YOU.

THE FOREGOING WARRANTY IS IN LIEU OF ALL OTHER WARRANTIES, EXPRESS OR IMPLIED, INCLUDING THOSE OF MERCHANTABILITY, FITNESS FOR ANY PARTICULAR PURPOSE OR INFRINGEMENT. ORIGINAL PURCHASER SHALL IN NO EVENT BE ENTITLED TO, AND ELAN LIGHTING SHALL NOT BE LIABLE FOR, INDIRECT, SPECIAL, INCIDENTAL OR CONSEQUENTIAL DAMAGES OF ANY NATURE, INCLUDING, BUT NOT LIMITED TO LOSS OF PROFIT, PROMOTIONAL AND/OR MANUFACTURING EXPENSES, OVERHEAD, INJURY TO REPUTATION AND/OR LOSS OF CUSTOMERS.

## REPLACEMENT PARTS LIST

For replacement parts, call our customer service department at **1-855-226-7169**, 8 a.m. - 4 p.m., EST, Monday - Friday.

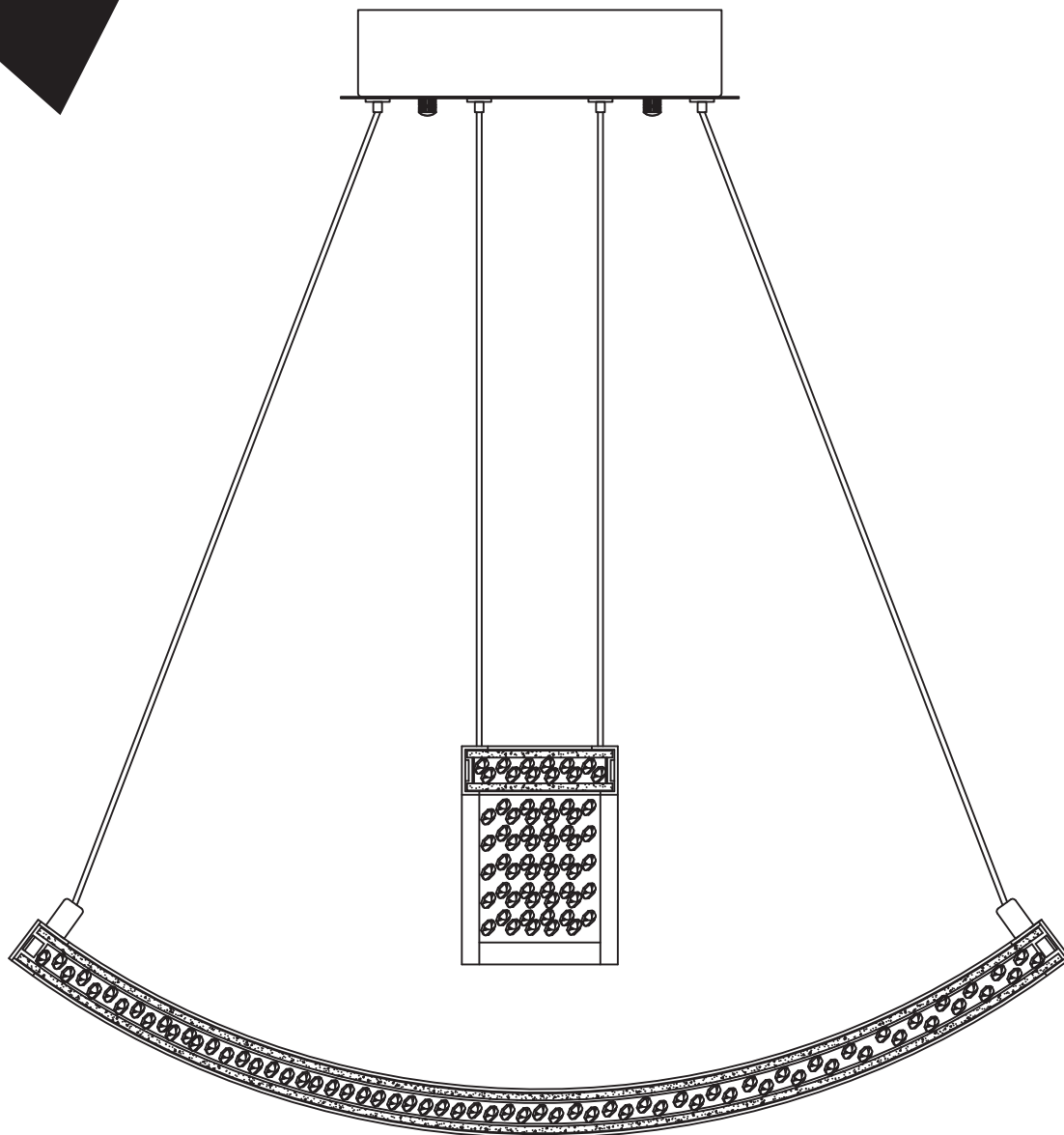
PART	DESCRIPTION	PART #
B	Mounting Bracket	XBAR05
AA	Wire Connector	WC001
BB	Short Machine Screw	SCR832X050
CC	Threaded Knob	KLRK-CH
DD	Long Machine Screw	SCR832X250





# LUSTRE 2 LUMIÈRES À DEL

MODÈLE #83494

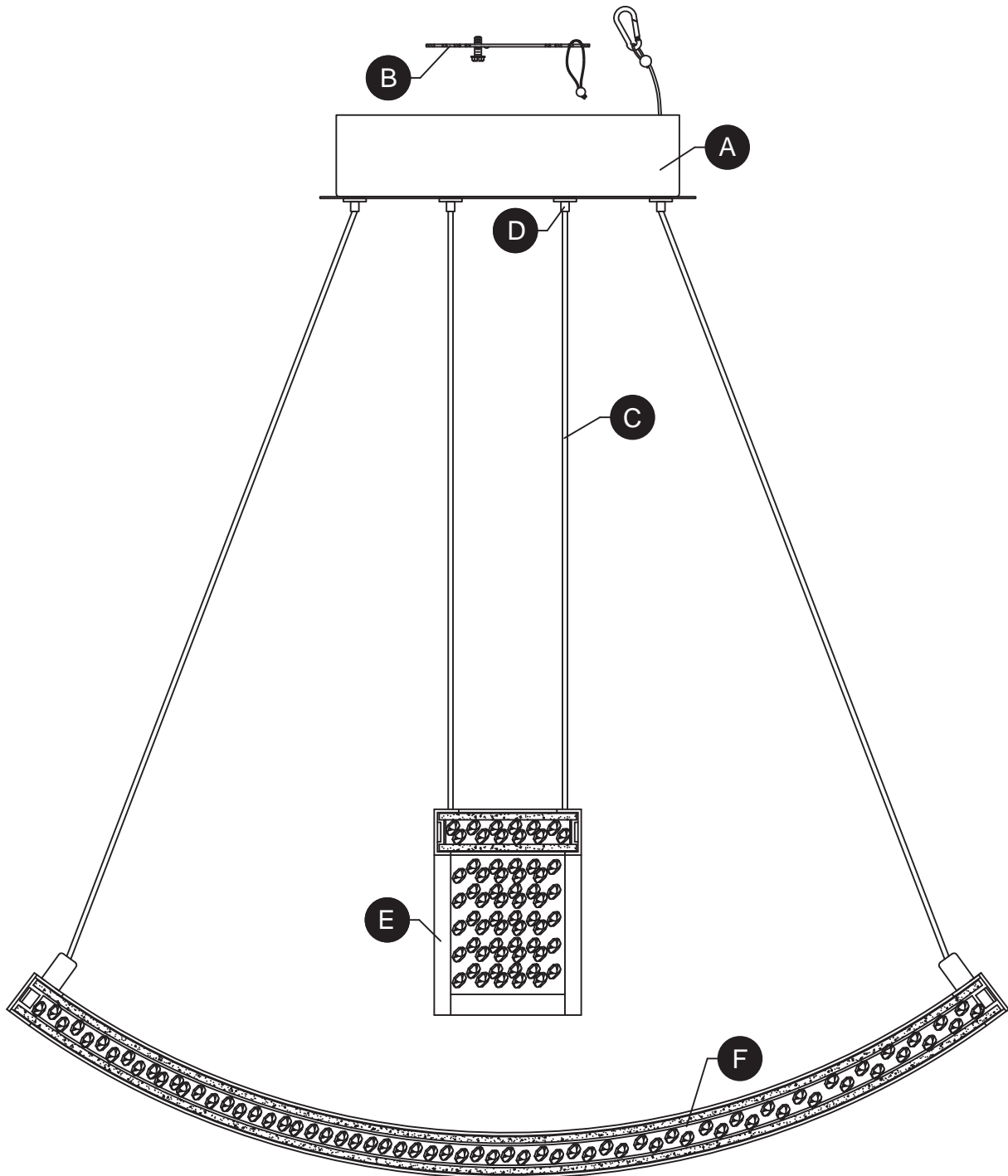


JOIGNEZ VOTRE REÇU ICI

Numéro de série \_\_\_\_\_ Date d'achat

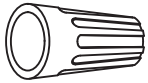


Des questions, des problèmes, des pièces manquantes? Avant de retourner l'article au détaillant, appelez notre service à la clientèle au 1 855 226-7169, entre 8 h et 16 h (HNE), du lundi au vendredi.



PIÈCE	DESCRIPTION	QUANTITÉ
A	Pavillon	1
B	Support de fixation	1
C	Câble	8
D	Raccord à compression	8
E	Assemblage de DEL supérieur	1
F	Assemblage de DEL inférieur	1

AA



Capuchon  
de connexion  
Qté : 3

BB



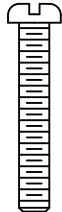
Vis à  
métaux  
courtes  
Qté : 2

CC



Boutons  
filetés  
Qté : 2

DD



Vis à  
métaux  
longue  
Qté : 2

### **CONSIGNES DE SÉCURITÉ**

---

Veillez vous assurer de lire et de comprendre l'intégralité du présent guide avant d'assembler, d'utiliser ou d'installer ce produit.

### **AVERTISSEMENT**

- **IMPORTANT** : Ne faites JAMAIS de travail sans couper l'électricité.
- Rendez-vous au coffre de fusibles principal ou au disjoncteur de votre demeure. Placez l'interrupteur principal en position d'arrêt (« OFF ») et dévissez le(s) fusible(s), ou placez en position d'arrêt (« OFF ») l'(les) interrupteur(s) des disjoncteurs qui alimentent le luminaire ou la pièce dans laquelle vous travaillez.
- Placez l'interrupteur mural en position d'arrêt (« OFF »). Si le luminaire à remplacer est doté d'un interrupteur ou à chaîne, placez-le en position d'arrêt (« OFF »).
- Ne touchez pas de DEL chaude.
- Le rendement lumineux de la DEL est assez fort pour blesser les yeux. Il faut prendre des précautions pour éviter de regarder directement les DEL sans protéger les yeux pendant plus de quelques secondes.
- **AVERTISSEMENT** : En vertu de la proposition 65 de la Californie : Ce luminaire contient des produits chimiques reconnus par l'État de la Californie comme étant la cause de cancers, d'anomalies congénitales et d'autres problèmes liés aux fonctions reproductrices. Lavez-vous les mains après l'avoir manipulé.

### **MISE EN GARDE**

- Prenez soin de lire et de comprendre toutes les instructions et illustrations avant de commencer l'assemblage et l'installation de ce luminaire.
- Si vous avez des doutes à propos de l'installation, ou si le luminaire ne fonctionne pas correctement, veuillez communiquer avec un électricien qualifié.
- Toutes les pièces doivent être utilisées tel qu'il est indiqué dans ces instructions. Ne remplacez pas les pièces, n'en laissez pas de côté et ne les utilisez pas si elles sont usées ou brisées. Le non-respect de ces instructions peut annuler l'homologation UL, la certification CSA et/ou l'homologation ETL de ce luminaire.
- Ce luminaire est pour une installation conformément au Code national de l'électricité (CNE) et toutes les spécifications locales du code.
- Ce luminaire est réservé à une utilisation intérieure.
- Utilisez SEULEMENT le pilote de DEL fourni pour alimenter le luminaire.
- Le câble du pilote ne doit pas être utilisé à travers ni caché derrière les murs, les planchers ou les plafonds.
- N'utilisez PAS le plafonnier si des lumières ne fonctionnent pas ou ne fonctionnent pas correctement ou si le plafonnier pourrait être encore plus endommagé.

## PREPARATION

Avant de commencer l'assemblage du produit, assurez-vous d'avoir toutes les pièces. Comparez les pièces dans l'emballage avec la liste du contenu. S'il y a des pièces manquantes ou endommagées, ne tentez pas d'assembler le produit.

### Temps d'assemblage approximatif : de 30 à 60 minutes

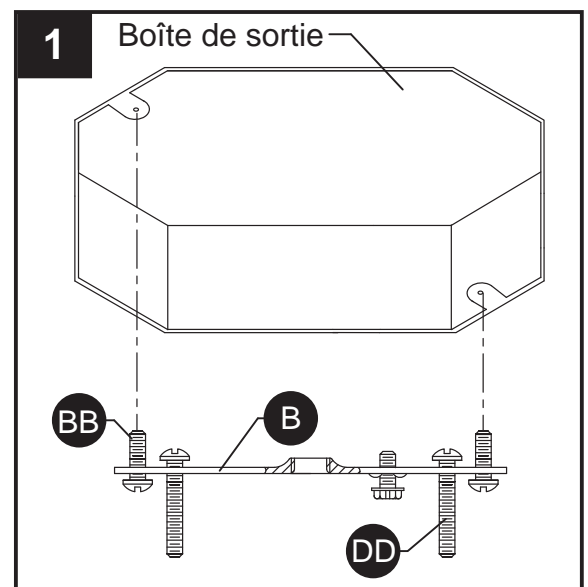
Outils requis pour l'assemblage (non fournis) : tournevis cruciforme, tournevis à tête plate, pinces à dénuder, ruban isolant, échelle, lunettes de sécurité.

## INSTRUCTIONS POUR L'ASSEMBLAGE

1. Orientez le support de fixation (B) de façon à ce que la partie centrale surélevée saille dans la boîte de sortie. Insérez les vis à métaux longues (DD) à travers le support de fixation (B). En laissant les vis à métaux longues (DD) saillir vers l'extérieur, connectez le support de fixation (B) à la boîte de sortie (non fournie) à l'aide des vis à métaux courtes (BB).

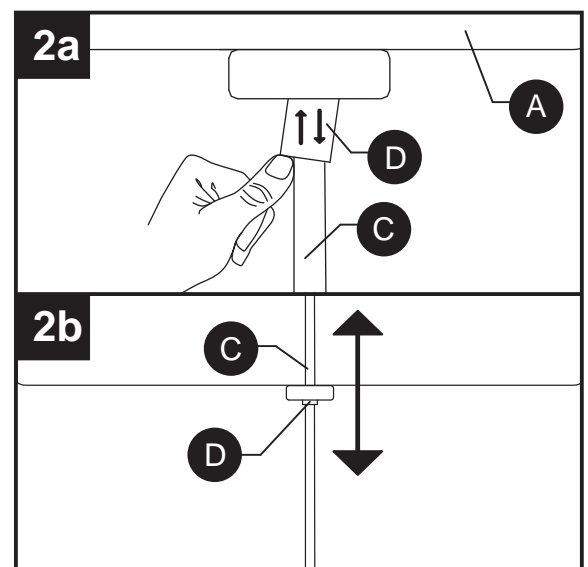
### Quincaillerie utilisée

- |           |                     |   |     |
|-----------|---------------------|---|-----|
| <b>BB</b> | Vis à métaux courte |  | x 2 |
| <b>DD</b> | Vis à métaux longue |  | x 2 |



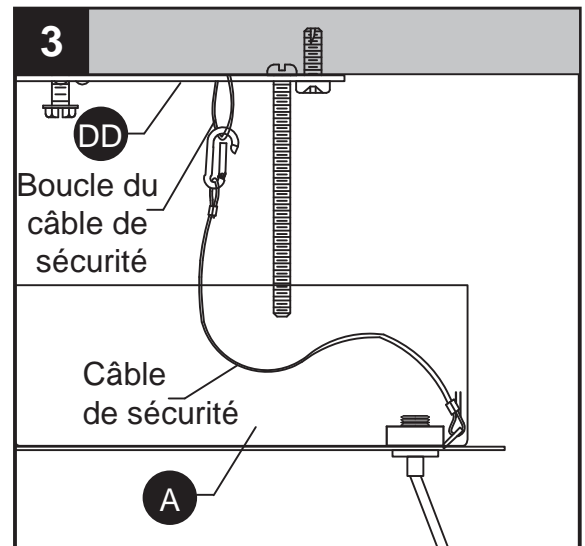
2. La longueur du câble de suspension (C) de ce luminaire est réglable. Maintenez le pavillon (A) du luminaire contre le plafond pour déterminer la longueur désirée avant l'assemblage complet du luminaire.

Le câble (C) est maintenu en place par un raccord à compression (D). Poussez vers le haut et maintenez le tube à ressort du raccord (D) pour libérer le câble (C) et permettre le réglage.



## INSTRUCTIONS POUR L'ASSEMBLAGE

3. Connectez le câble de sécurité situé dans le pavillon (A) à la boucle du câble de sécurité située sur le support de fixation (DD).



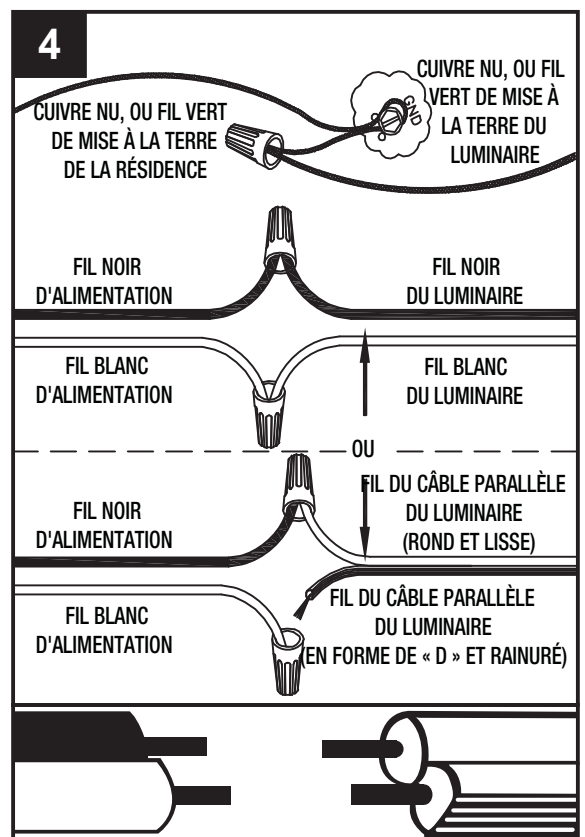
4. Guide de raccordement électrique

Fil de mise à la terre :

- Pour une installation aux États-Unis : enroulez le fil de mise à la terre provenant de la boîte de sortie autour de la vis de mise à la terre (EE) située sur le support de fixation (DD), à au moins 5 cm (2 po) de l'extrémité du fil. Serrez la vis de mise à la terre (EE). Si le luminaire est fourni avec un fil de mise à la terre, raccordez-le au fil de mise à la terre de la boîte de sortie à l'aide d'un connecteur de fils (AA).
- Pour une installation au Canada : si le luminaire est fourni avec un fil de mise à la terre, enroulez-le autour de la vis de mise à la terre (EE) située sur le support de fixation (DD). Serrez la vis de mise à la terre (EE).

Fils d'alimentation :

- Connectez le fil neutre d'alimentation (blanc) provenant de la boîte de sortie au fil neutre du luminaire (fil blanc ou fil parallèle en forme de « D » et rainuré).
- Connectez le fil d'alimentation chargé (noir) provenant de la boîte de sortie au fil du luminaire (fil noir ou fil parallèle, rond et lisse).



REMARQUE :

Le luminaire aura soit 2 fils (1 noir et 1 blanc), soit un câble parallèle SPT-2 de luminaire composé d'un fil rond et lisse et un fil rainuré en forme de « D ».

### Quincaillerie utilisée

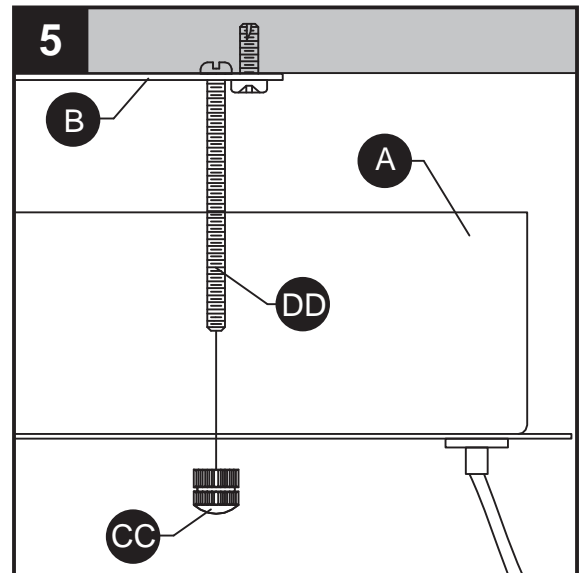
AA Capuchon de connexion



x 3

## INSTRUCTIONS POUR L'ASSEMBLAGE

5. Insérez le pavillon (A) sur les vis à métaux longues (DD) sortant du support de fixation (B) et fixez-le à l'aide des boutons filetés (CC).



### Quincaillerie utilisée



## ENTRETIEN

- Vérifiez toujours que le courant est coupé avant de nettoyer le luminaire.
- Utilisez un linge doux et humide ainsi qu'un savon non abrasif. N'utilisez jamais de nettoyeurs pour vitres; vous risqueriez d'endommager le fini métallique du luminaire.
- Les abat-jour en verre peuvent être nettoyés dans un évier couvert de serviettes, à l'aide d'eau tiède et de savon doux. Ne nettoyez pas les abat-jour dans un lave-vaisselle.

## DÉPANNAGE

PROBLÈME	CAUSE POSSIBLE	MESURE CORRECTIVE
Le luminaire ne s'allume pas.	1. Le luminaire est mal branché.	1. Vérifiez si le luminaire est bien branché.

## **GARANTIE**

---

élan Lighting warrants that its products will be free from defects in material and workmanship for one (1) year from the date of purchase by the Original Purchaser.

LED Rail, LED Lanterns, LED Wall Sconces, LED Pendants and LED Chandeliers for single family residences are warranted for one (1) year on the Light Engine and all other electrical components.

To replace a product that has a warranted defect, the Original Purchaser shall return any allegedly defective parts or products to the authorized élan distributor that the product was purchased from with PROOF OF PURCHASE, Original Purchaser's name and return address and a description of the claimed product defect.

If any of the warranted products are found by élan, in its sole discretion, to be defective, such products will, at élan's sole option and cost, be replaced, repaired or refunded less an amount directly attributable to Original Purchaser's prior use of the product. élan will return the repaired or replaced product prepaid freight. This warranty does not cover labor or other costs or expenses to remove or install any defective, repaired or replaced product.

The parties hereto expressly agree that Original Purchaser's sole and exclusive remedy against élan shall be for the repair, replacement or refund of defective products as provided herein. This warranty extends only to product ownership by the Original Purchaser; is not transferable whether to heirs, subsequent owners, or otherwise; and is void if the Original Purchaser ceases to own the product.

This warranty does not apply to any products that have been subjected to misuse, mishandling, misapplication, connected to voltage at more than 5% above standard North American voltage, unusual use (including but not limited to use in an environment where the annual average ambient operating temperature is below 27 or above 95 degrees Fahrenheit), neglect (including but not limited to improper maintenance), accident, acts of god such as high winds, improper installation or care, failure to follow the Product's written instructions for normal use and care, improper packaging of products returned to élan, modification (including but not limited to use of unauthorized parts or attachments), or adjustment or repair. Significant product exposure to chemicals, harsh cleaners, salt water or salt air will void any and all warranties on exterior finishes. This warranty only applies when all components, including transformers, have been provided by élan. Substituting another manufacturer's product and/or components will render the warranty completely void.

THIS WARRANTY GIVES YOU SPECIFIC LEGAL RIGHTS. YOU MAY ALSO HAVE OTHER RIGHTS, WHICH VARY FROM STATE TO STATE. SOME STATES DO NOT ALLOW LIMITATIONS ON HOW LONG AN IMPLIED WARRANTY LASTS OR THE EXCLUSION OR LIMITATION OF INCIDENTAL OR CONSEQUENTIAL DAMAGES SO THE ABOVE LIMITATIONS OR EXCLUSIONS MAY NOT APPLY TO YOU.

THE FOREGOING WARRANTY IS IN LIEU OF ALL OTHER WARRANTIES, EXPRESS OR IMPLIED, INCLUDING THOSE OF MERCHANTABILITY, FITNESS FOR ANY PARTICULAR PURPOSE OR INFRINGEMENT. ORIGINAL PURCHASER SHALL IN NO EVENT BE ENTITLED TO, AND ELAN LIGHTING SHALL NOT BE LIABLE FOR, INDIRECT, SPECIAL, INCIDENTAL OR CONSEQUENTIAL DAMAGES OF ANY NATURE, INCLUDING, BUT NOT LIMITED TO LOSS OF PROFIT, PROMOTIONAL AND/OR MANUFACTURING EXPENSES, OVERHEAD, INJURY TO REPUTATION AND/OR LOSS OF CUSTOMERS.

## LISTE DES PIÈCES DE RECHANGE

Pour obtenir des pièces de rechange, appelez notre service à la clientèle au 1 855 226-7169, entre 8 h et 16 h (HNE), du lundi au vendredi.

PIÈCE	DESCRIPTION	N° DE PIÈCE
B	Support de fixation	XBAR05
AA	Capuchon de connexion	WC001
BB	Vis à métaux courte	SCR832X050
CC	Bouton fileté	KLRK-CH
DD	Vis à métaux longue	SCR832X250

