

36" Grab Bar with Contemporary Hex Flange

Model #: 2936-



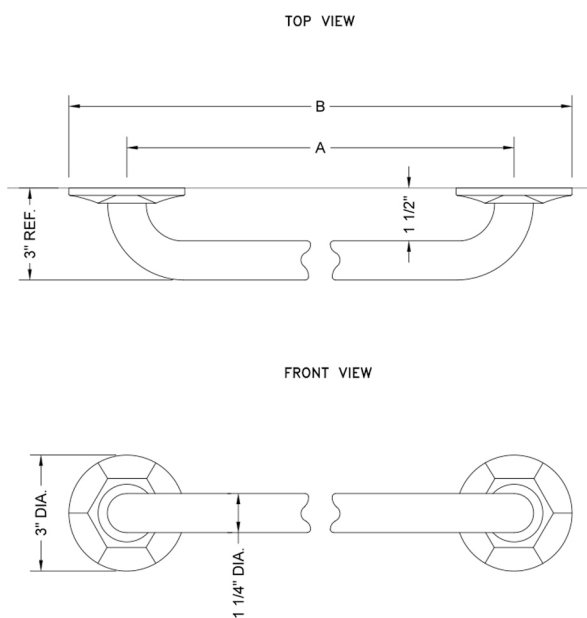
FEATURES:

- ADA compliant when properly installed
- Complements Astor & Westfield collection
- Covers standard 3" flange on stainless steel grab bars
- No need to re-tile in retro-fit applications
- 1 1/4" diameter
- 36" center post to center post
- For large quantity custom lengths contact hospitality@jaclo.com

AVAILABLE FINISHES:

| | | |
|-------------------------|-------------------------|-----------------------|
| Polished Chrome (PCH) | Satin Chrome (SC) | Bronze Umber (BU) |
| Satin Nickel (SN) | Pewter (PEW) | Caramel Bronze (CB) |
| Polished Nickel (PN) | Antique Brass (AB) | Antique Copper (ACU) |
| Oil-Rubbed Bronze (ORB) | Polished Brass (PB) | Polished Copper (PCU) |
| Vintage Bronze (VB) | Satin Brass (SB) | Rose Gold (RG) |
| Matte Black (MBK) | Satin Gold (SG) | Polished Gold (PG) |
| Black Nickel (BKN) | Bombay Gold (BG) | Jewelers Gold (JG) |
| Europa Bronze (EB) | White (WH) | Sedona Beige (SDB) |
| Tristan Brass (TB) | Unlacquered Brass (ULB) | |

SPECIFICATION DRAWING:



| GRAB BAR WITH CONTEMPORARY HEX FLANGE | | | |
|---------------------------------------|--------------|-----|-----|
| PART. # | DESCRIPTION | A | B |
| 2912 | 12" GRAB BAR | 12" | 15" |
| 2916 | 16" GRAB BAR | 16" | 19" |
| 2918 | 18" GRAB BAR | 18" | 21" |
| 2924 | 24" GRAB BAR | 24" | 27" |
| 2932 | 32" GRAB BAR | 32" | 35" |
| 2936 | 36" GRAB BAR | 36" | 39" |
| 2942 | 42" GRAB BAR | 42" | 45" |
| 2948 | 48" GRAB BAR | 48" | 51" |