

# Horizontal Contemporary Grab Bar Toilet Paper Holder

**Model #:CNTP180-**

**FEATURES:**

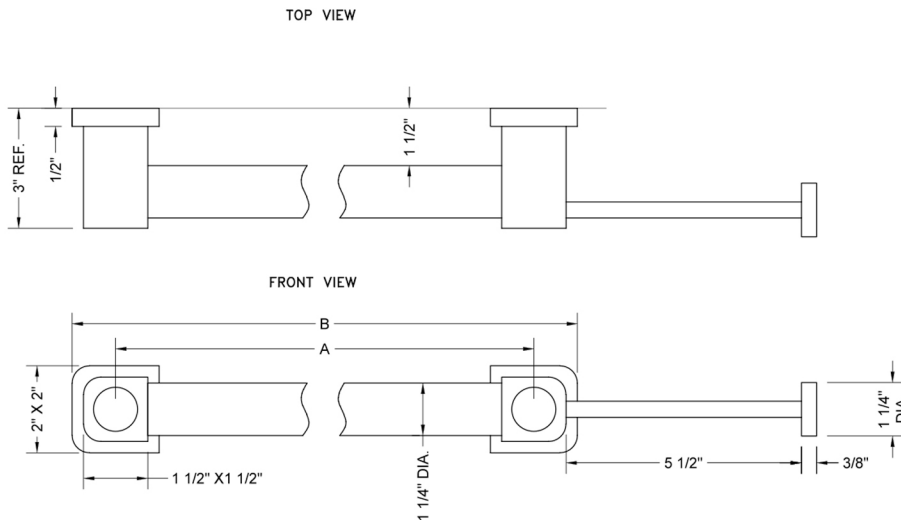
- Toilet paper or wash cloth holder attachment for all luxury grab bars
- Toilet paper or wash cloth holder attachment is not intended & should not be used for weight bearing purposes
- All brass construction, fully polished & plated
- Straight design allows for horizontal or vertical mount



**AVAILABLE FINISHES:**

Polished Chrome (PCH)	Satin Chrome (SC)	Bronze Umber (BU)
Satin Nickel (SN)	Pewter (PEW)	Caramel Bronze (CB)
Polished Nickel (PN)	Antique Brass (AB)	Antique Copper (ACU)
Oil-Rubbed Bronze (ORB)	Polished Brass (PB)	Polished Copper (PCU)
Vintage Bronze (VB)	Satin Brass (SB)	Rose Gold (RG)
Matte Black (MBK)	Satin Gold (SG)	Polished Gold (PG)
Black Nickel (BKN)	Bombay Gold (BG)	Jewelers Gold (JG)
Europa Bronze (EB)	White (WH)	Sedona Beige (SDB)
Tristan Brass (TB)	Unlacquered Brass (ULB)	

**SPECIFICATION DRAWING:**



CONTEMPO LUXURY GRAB BAR 1 1/4"			
PART. #	SPECIFICS	A	B
CNTP180-12	12" C TO C	12"	14"
CNTP180-16	16" C TO C	16"	18"
CNTP180-18	18" C TO C	18"	20"
CNTP180-24	24" C TO C	24"	26"
CNTP180-32	32" C TO C	32"	34"
CNTP180-36	36" C TO C	36"	38"
CNTP180-42	42" C TO C	42"	44"
CNTP180-48	48" C TO C	48"	50"