

# Horizontal Contemporary Toilet Paper or Wash Cloth Holder for Grab Bar

Model #: MTP180-

# JACLO®

Confidence from start to finish.™

### FEATURES:

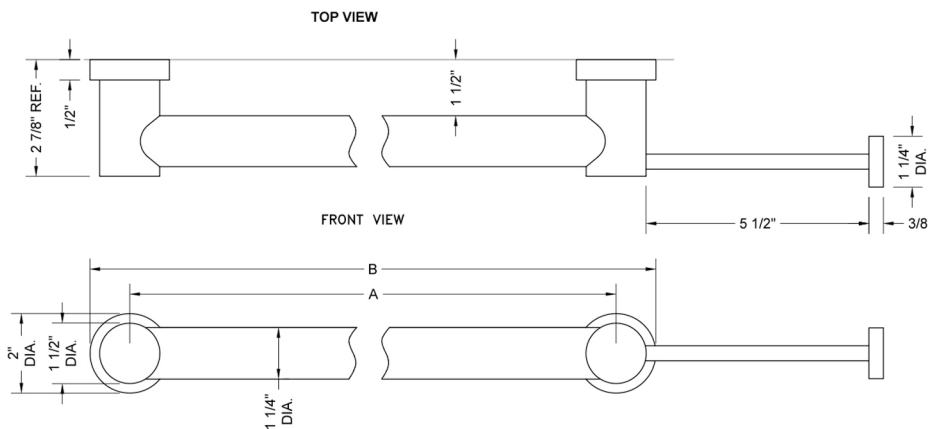
- Toilet paper or wash cloth holder attachment for all luxury grab bars
- Toilet paper or wash cloth holder attachment should not be used for weight bearing purposes
- All brass construction, fully polished & plated
- Straight design allows for horizontal or vertical mount
- Must be factory installed and included on initial purchase order



### AVAILABLE FINISHES:

Polished Chrome (PCH)	Satin Chrome (SC)	Bronze Umber (BU)
Satin Nickel (SN)	Pewter (PEW)	Caramel Bronze (CB)
Polished Nickel (PN)	Antique Brass (AB)	Antique Copper (ACU)
Oil-Rubbed Bronze (ORB)	Polished Brass (PB)	Polished Copper (PCU)
Vintage Bronze (VB)	Satin Brass (SB)	Matte Black (MBK)
Satin Gold (SG)	Polished Gold (PG)	Black Nickel (BKN)
White (WH)	Unlacquered Brass (ULB)	Satin Cooper (SCU)
Almond (ALD)	Amber (AMB)	Azure Blue (AZB)
Coral (COR)	Mint Green (GRN)	Stone Grey (GRY)
Lilac (LAC)	Light Blue (LBL)	Limon (LIM)
Plum (PLM)	Pink (PNK)	Red (RED)
Graphite (GPH)	Aged Unlacquered Brass (AUB)	

### SPECIFICATION DRAWING:



BRASS LUXURY GRAB BAR 1 1/4"			
PART. #	SPECIFICS	A	B
MTP180-12	12" C TO C	12"	14"
MTP180-16	16" C TO C	16"	18"
MTP180-18	18" C TO C	18"	20"
MTP180-24	24" C TO C	24"	26"
MTP180-32	32" C TO C	32"	34"
MTP180-36	36" C TO C	36"	38"
MTP180-42	42" C TO C	42"	44"
MTP180-48	48" C TO C	48"	50"