

SPECIFICATIONS

5 1/2" WALL MOUNT TUB SPOUT WITH DIVERTER

Description

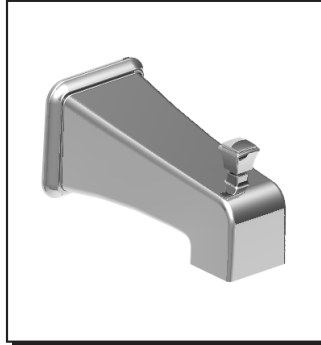
- Fits 1/2" copper or 1/2" IPS stub out nipple
- Diverter on spout

Standards

- ASME A112.18.1
- Listed IAPMO/UPC

Warranty

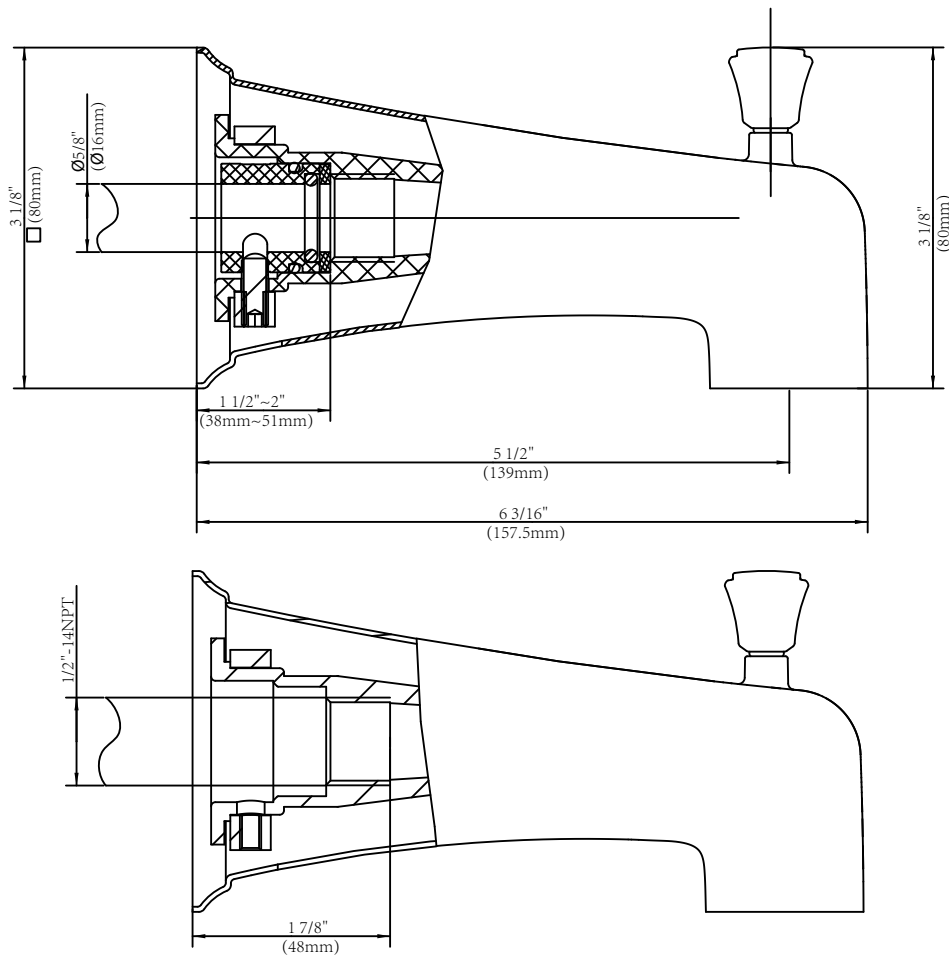
Danze products are covered by a manufacturer's limited "lifetime" warranty for manufacturing defects.



DA523415

Available Colors & Finish

- Chrome
- Brushed Nickel (BN)



Specific Features: _____ Submitted Model No.: _____