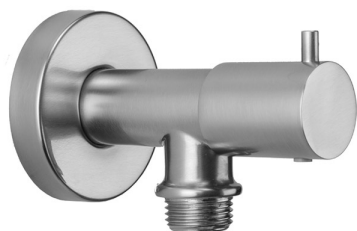


INSTALLATION INSTRUCTIONS

Water Supply Elbow with On/off Valve (Part #: 6462)
Water Supply Elbow with On/off Valve & Handshower
Holder (Part #: 6466)

JACLO[®]
Confidence from start to finish.™



6462



6466

NOTE:

6462: This supply elbow has a shut off (Not volume control)

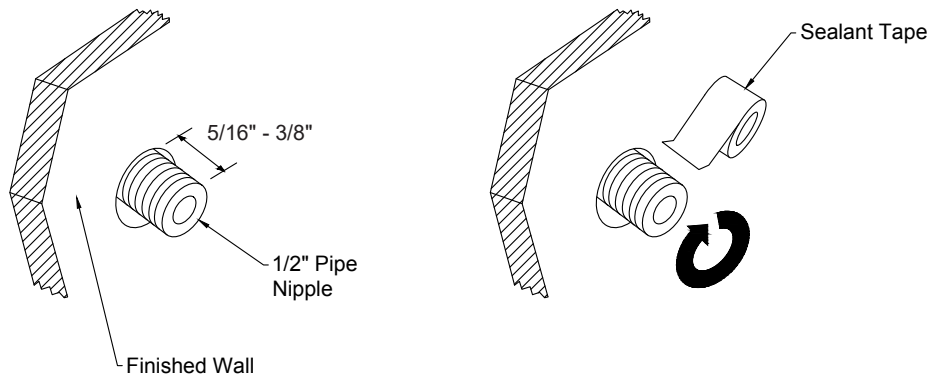
6466: This supply elbow has a shut off (Not volume control) + an attached handshower holder

PARTS NEEDED

1. Sealant Tape
2. Strap Wrench (If Required)

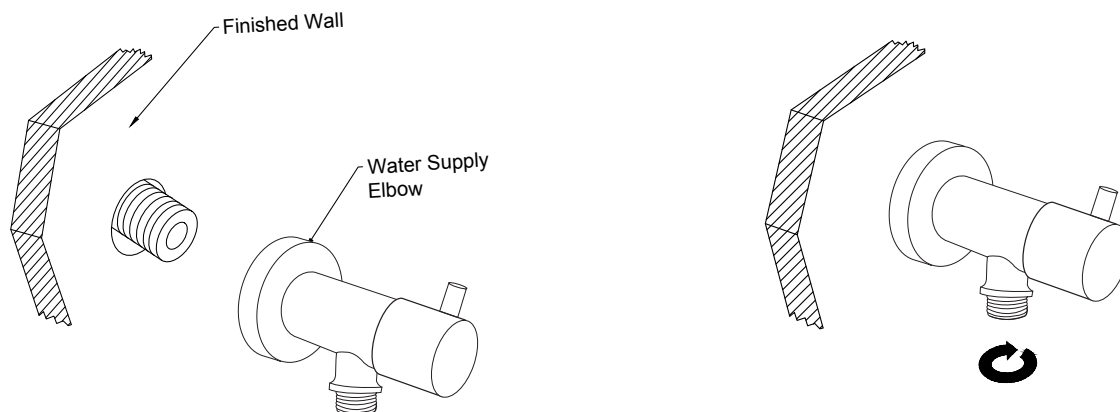
PIPE NIPPLE INSTALLATION

1. Install a 1/2" NPT pipe nipple so that it extends 5/16" to 3/8" beyond the finished wall when fully tightened.
2. Run water through the system to flush out dirt and debris.
3. Wrap sealant tape twice on the threads CLOCKWISE following the direction of the threading tightening the tape down into the threading.



SUPPLY ELBOW INSTALLATION

1. Slide the escutcheon onto the supply elbow.
2. Thread the supply elbow onto the 1/2" pipe nipple.
3. Tighten the water supply elbow using a clean strap wrench.
4. Press the escutcheon against the finished wall.



To learn more about JACLO's warranty, please visit [**jaclo.com**](http://jaclo.com)