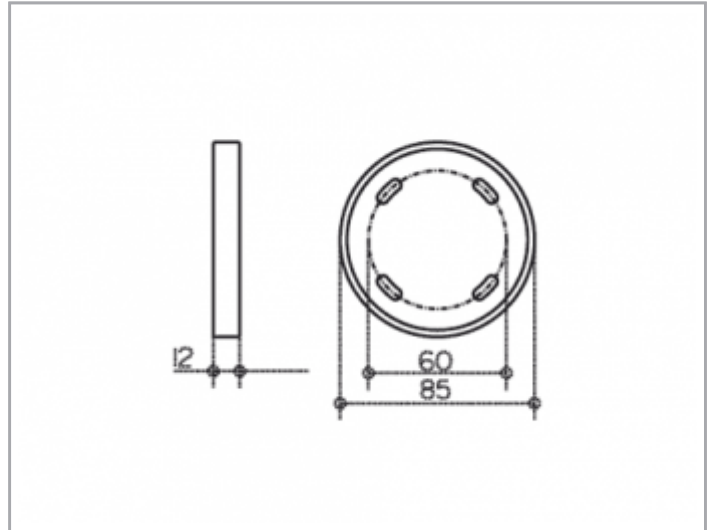


Cosmetic mirrors
17649010099 Wall plate

PRODUCT



DRAWING



Product attributes

optional - to strengthen wall installation,
suitable for cosmetic mirrors Art.-No. 17602 / 17649

SURFACE

chrome-plated