

SPECIFICATIONS

SINGLE CONTROL PRESSURE BALANCE MIXING VALVE LESS SCREWDRIVER STOPS

Model

D115500T
D115500BT

Description

- Washerless cartridge
- With temperature limit adjustment
- Combination 1/2" copper sweat/IPS 4-port hook up
- Back-to-back installation feature
- Mounting bracket & plaster guard included
- Valve will perform at ASSE 1016 standards when flow rate is restricted to 2.0gpm

Standards



• UPC/cUPC

MEETS ASME
A112.18.1M/ A112.18.1

• ASME A112.18.1M/ A112.18.1

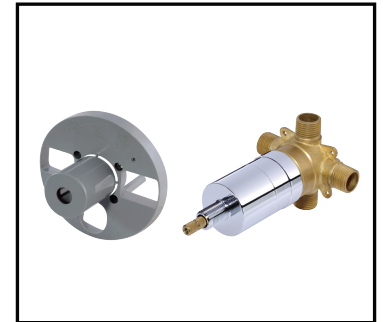
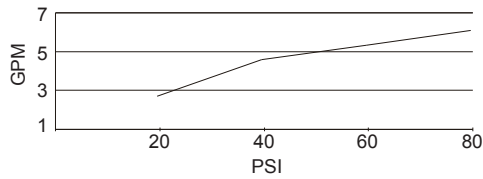
MEETS ASSE
1016

• ASSE 1016

Warranty

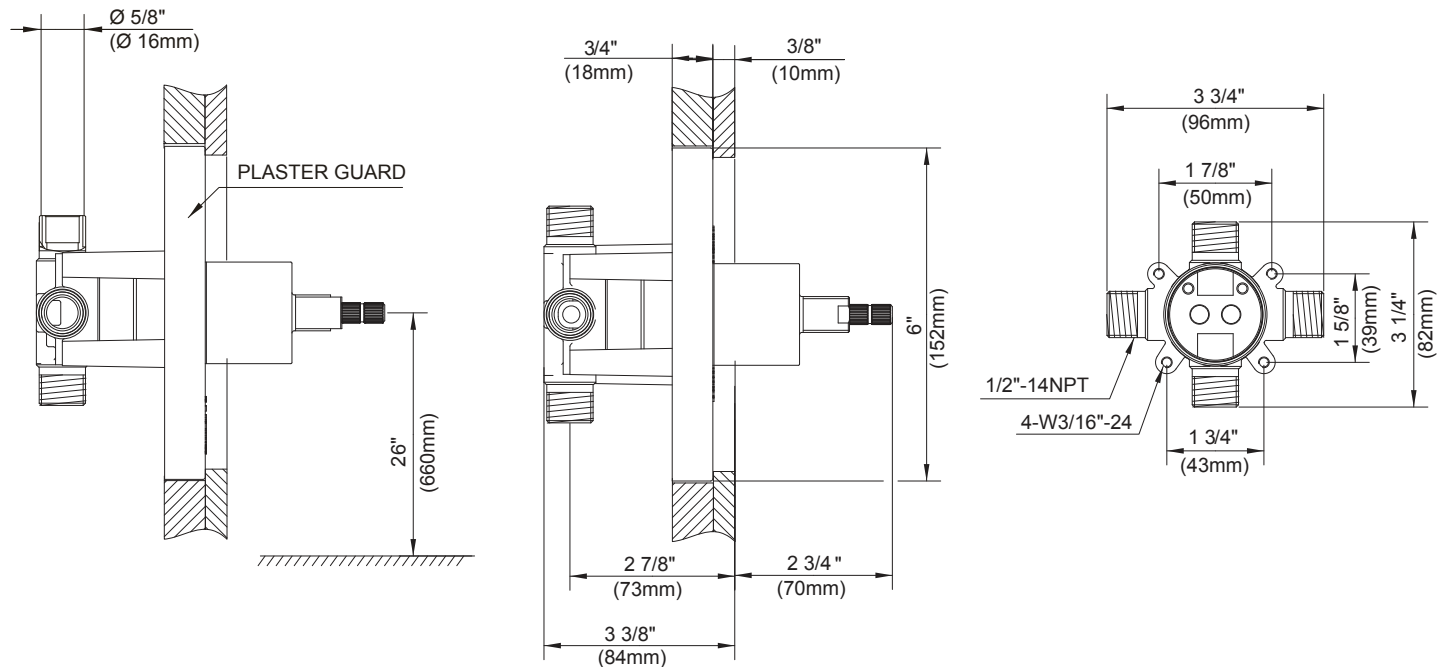
Danze products are covered by a manufacturer's limited "lifetime" warranty for manufacturing defects.

Flow Rate



Finishes Available

- Rough Brass



Submittal Information:

Job Name: _____
Contractor: _____

Location: _____
Contact #: _____