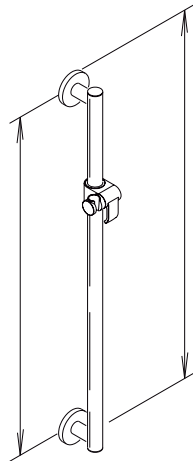
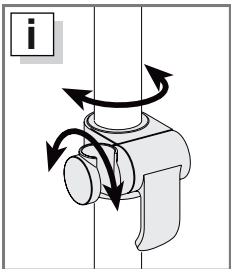
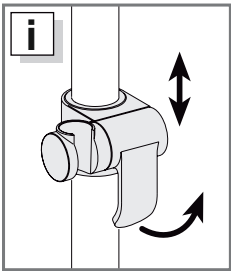


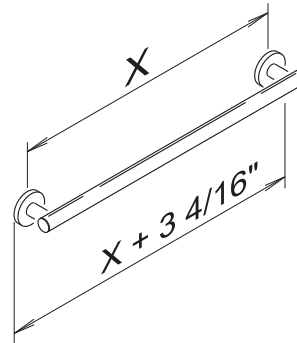
Article-No.: 35901
35912

KEUCO GmbH & Co. KG
Oesestr. 36
D-58675 Hemer
Phone: 01149 2372 90 4-0
Fax: 01149 2372 904 2 36
info@keuco.de
www.keuco.de

KEUCO LP
384-A Clinton Street
Costa Mesa, CA 92626
Phone: 714 708 2937
Fax: 714 617 8902
office-usa@keuco.com

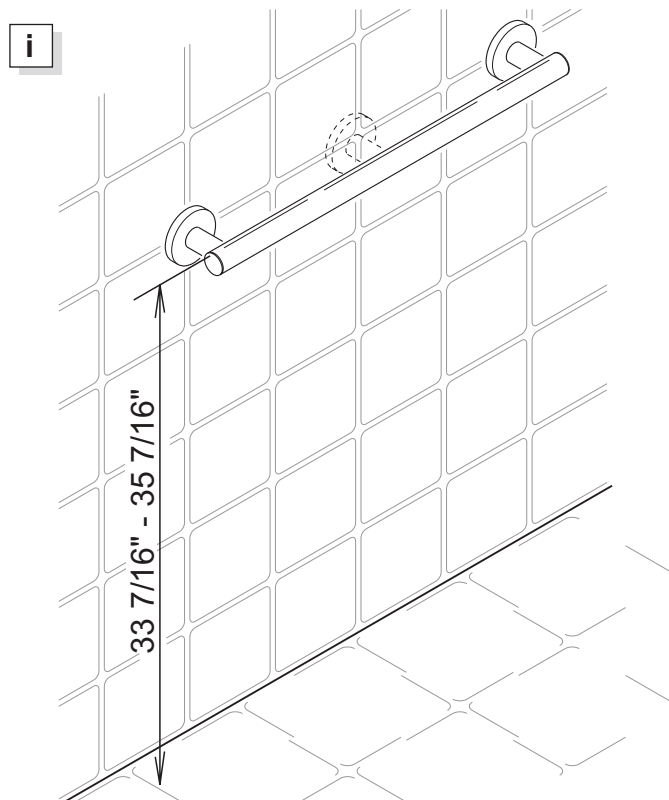
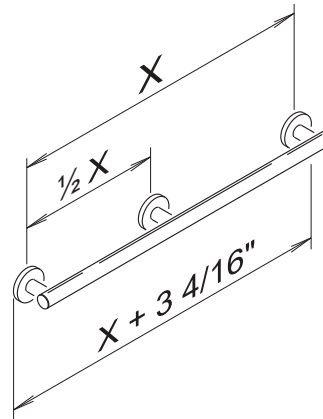


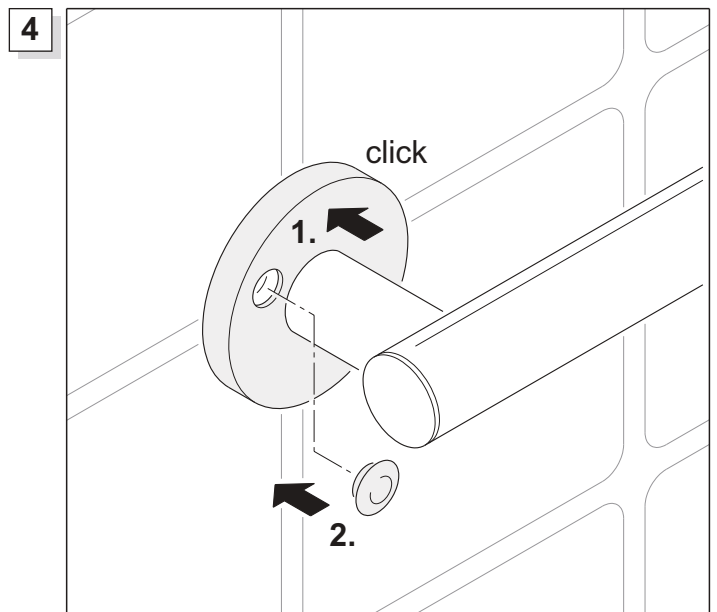
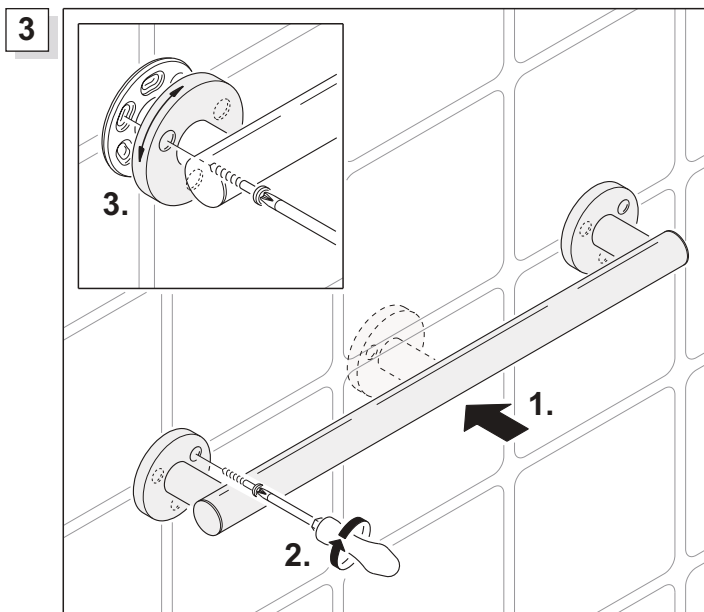
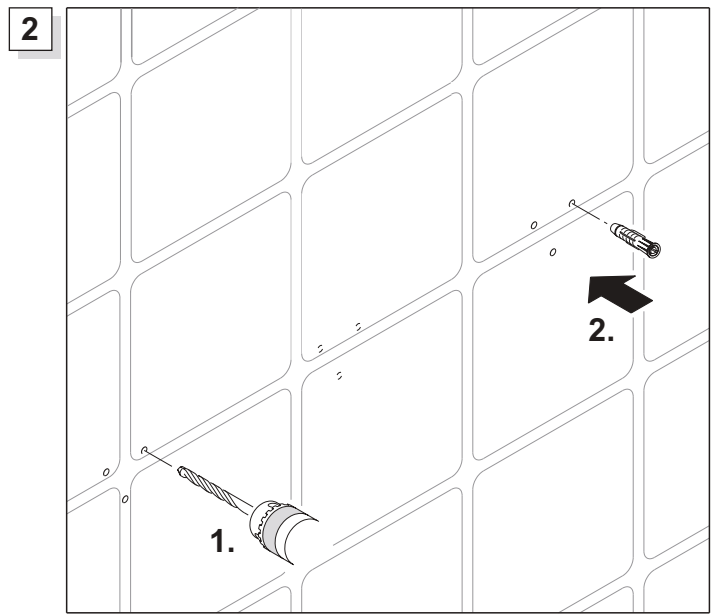
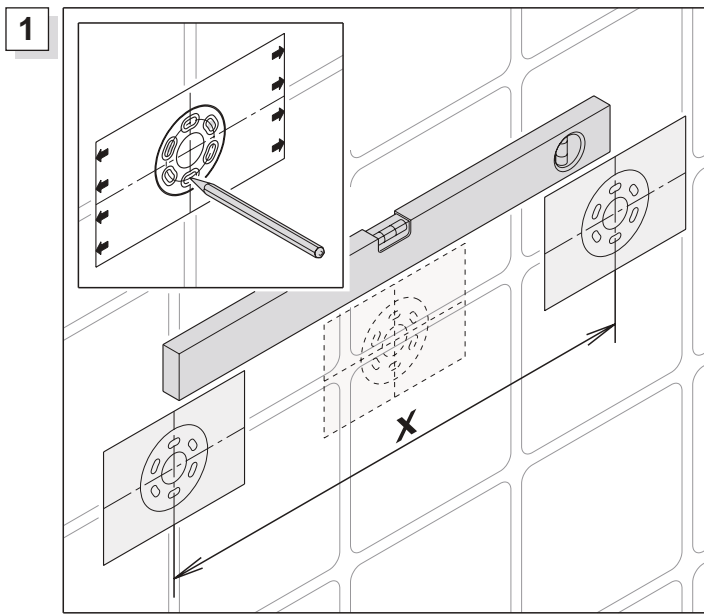
X (inch)
11 13/16"
15 12/16"
19 11/16"
23 10/16"
27 9/16"
31 8/16"
35 7/16"



X (inch)
35 7/16"
43 5/16"

X (inch)
39 6/16"
43 5/16"





- Wall reinforcements are absolutely necessary when fastening the towel rail.
- The towel rail can only support loads of max. 285 pounds when properly installed.
- Mounting kit is not included in delivery.
- The correct mounting kit, according to the wall, is chosen by the installer.

Meets ADA Accessibility Guidelines in U.S.A.