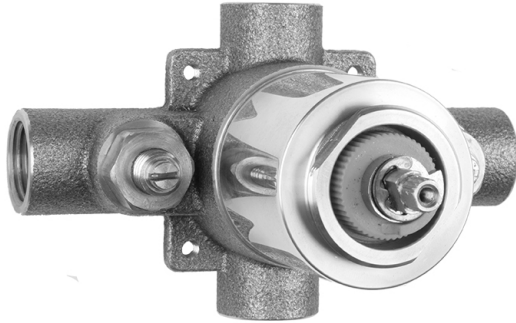


Pressure Balance Cycling Valve

Model #: J-CSV



FEATURES:

- Pressure balance valve mixes hot & cold water
- Anti-scald protection
- Rotating the handle counter clockwise turns on the water & controls the water temperature
- Ceramic cartridge
- 1/2" NPT female ports
- 5.2 GPM flow @ 60 PSI
- Extension kit available for deep wall installations, J-CSV-EXT- designate finish
- Works well with low water pressure

AVAILABLE FINISHES:

N/A

SPECIFICATION DRAWING:

