



FRESCA®

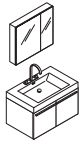
**FVN8090**

**SENZA**

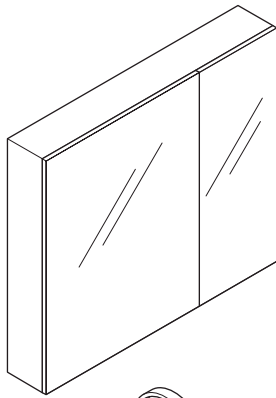
**INSTALLATION GUIDE**

CONTENTS:

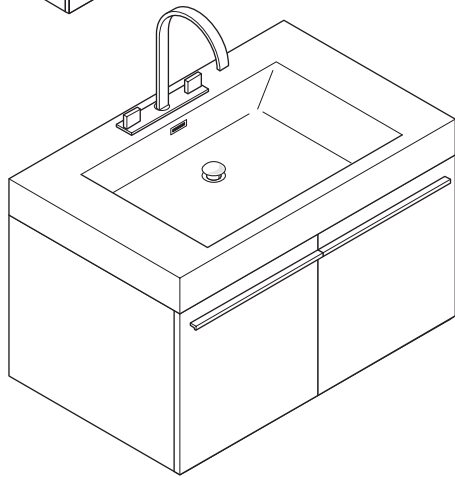
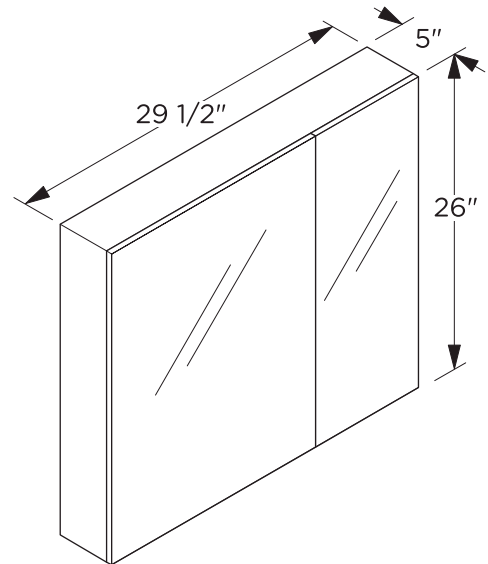
Cabinet...(FCB8090).....	PAGE 3 (STEP 3)
Sink.....(FVS8090).....	PAGE 3 (STEP 4)



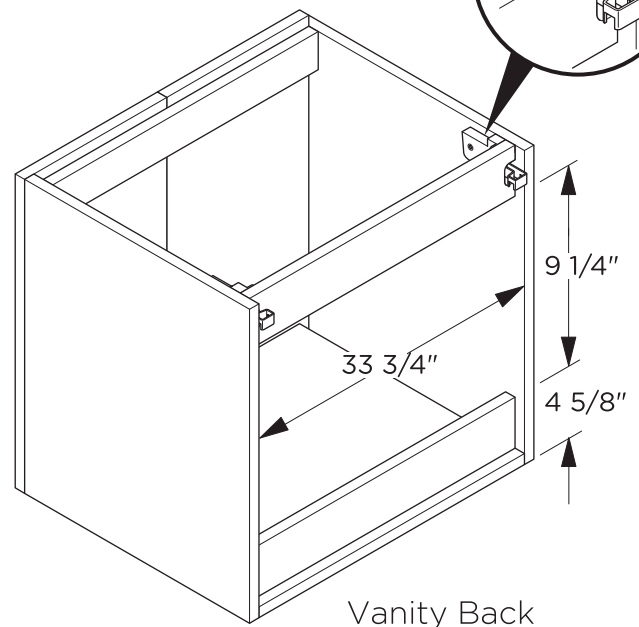
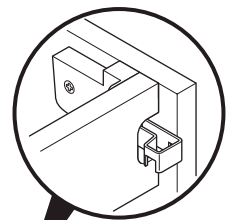
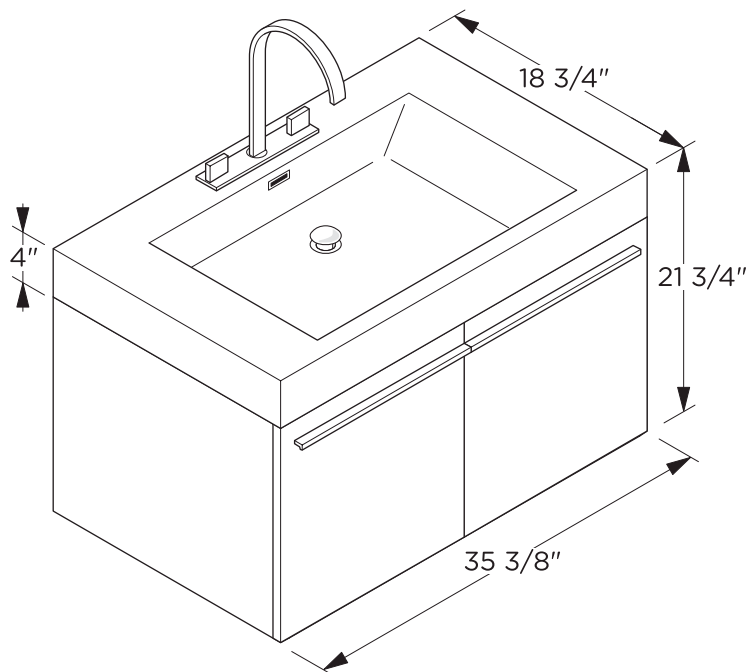
# FVN8090 VISTA INSTALLATION GUIDE



Medicine Cabinet



Vanity Front

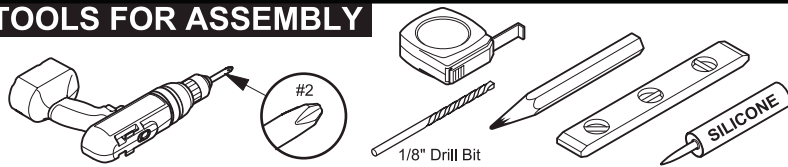


Vanity Back

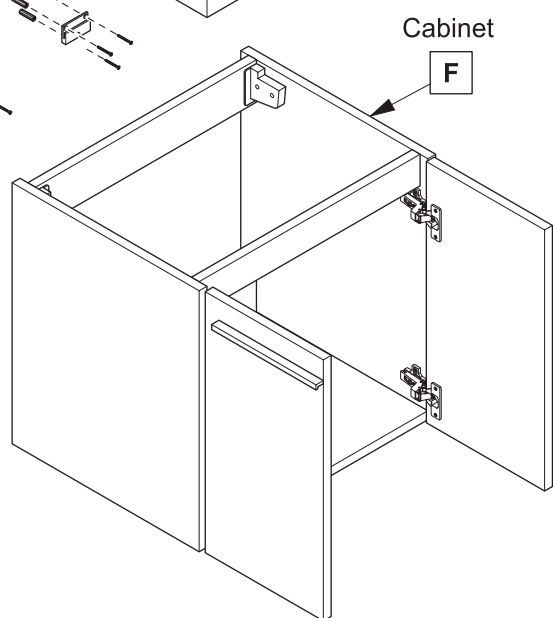
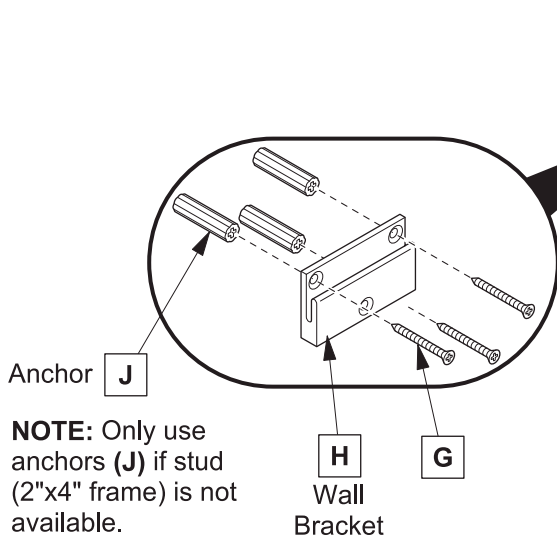
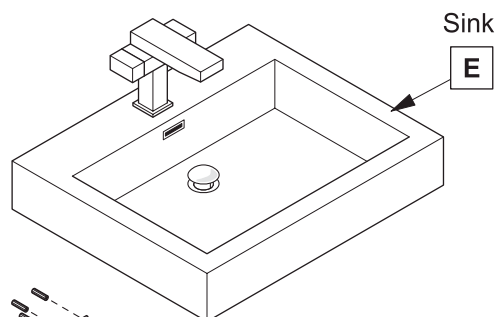
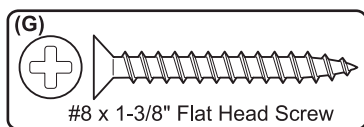
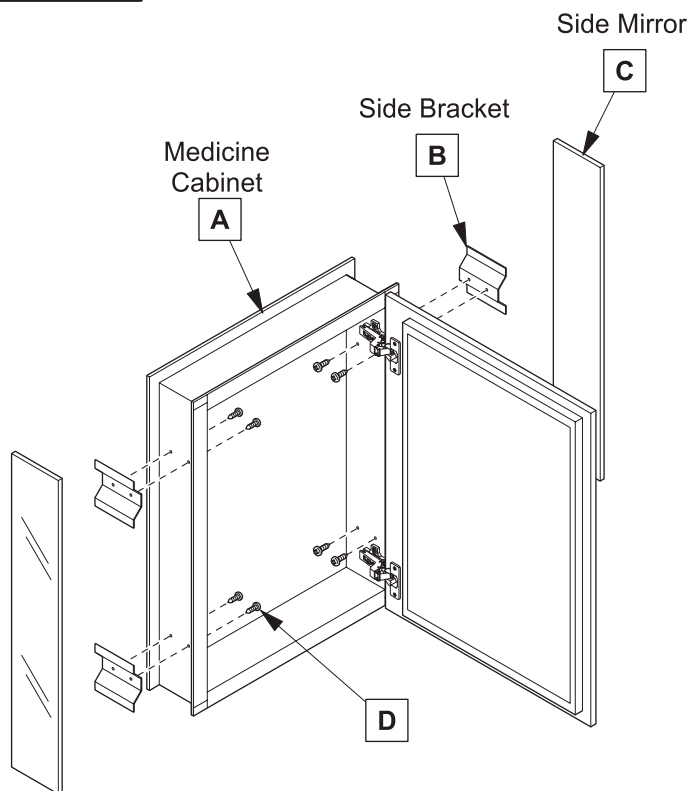
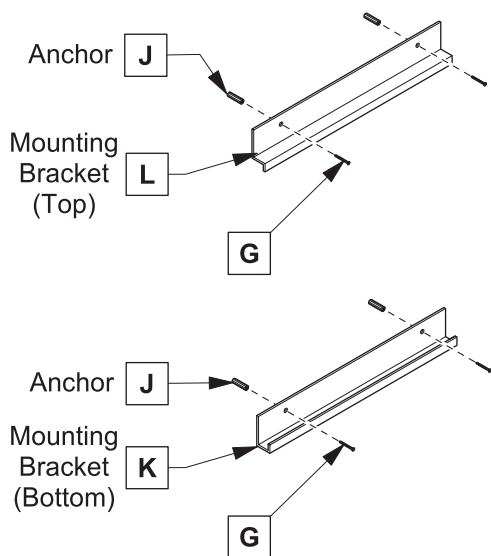


ALL DIMENSIONS & SPECIFICATIONS  
ARE APPROXIMATE AND SUBJECT TO  
CHANGE WITHOUT NOTICE.

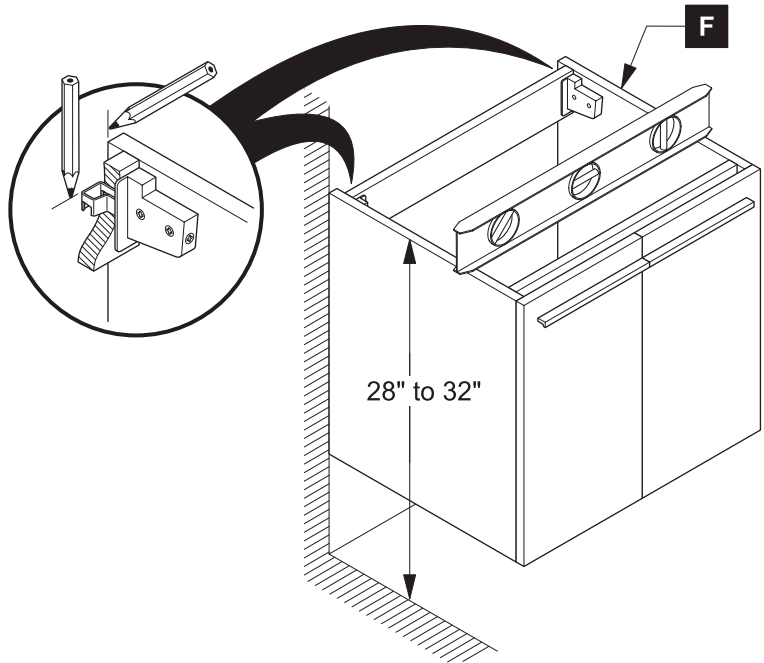
# TOOLS FOR ASSEMBLY



## PARTS

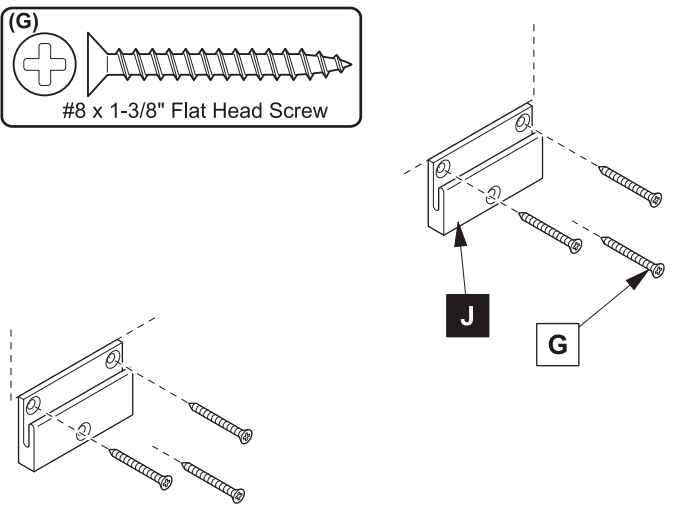


**1** Locate cabinet (C) & mark location

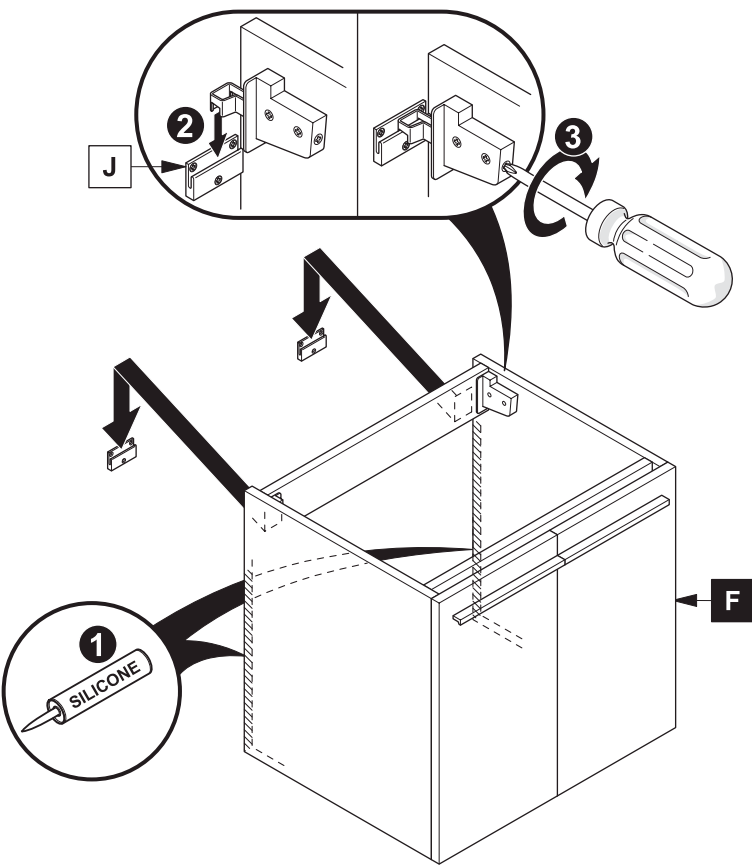


**2** Install wall brackets (J)

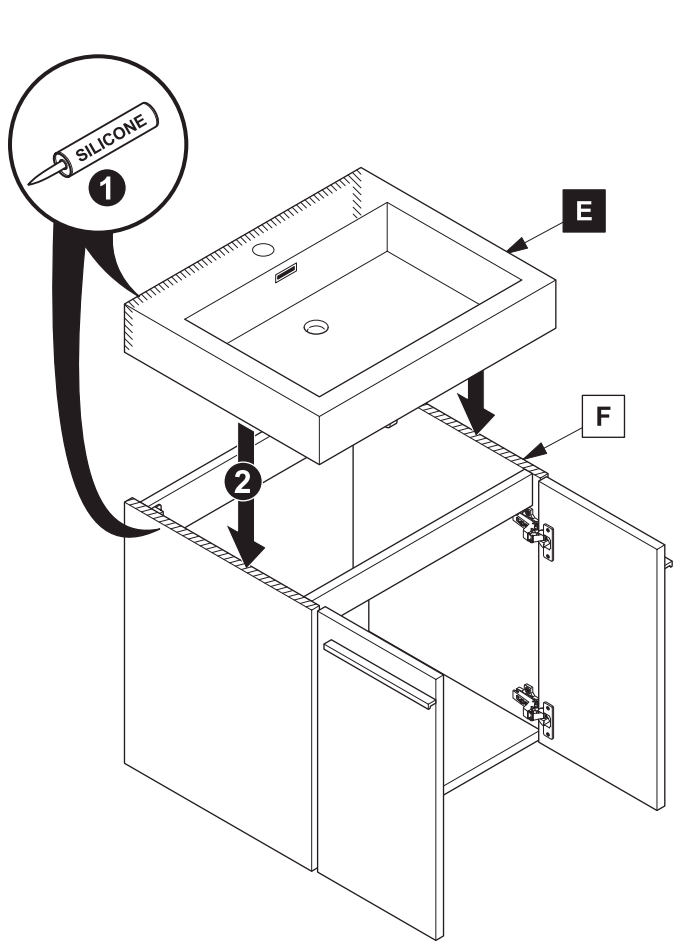
**IMPORTANT:** Consult an expert for the proper screws / bolts to use when attaching to various wall constructions. Screws provided *do not* attach to all wall construction types.



**3** Apply silicone and install cabinet (F)



**4** Apply silicone and install sink (E)

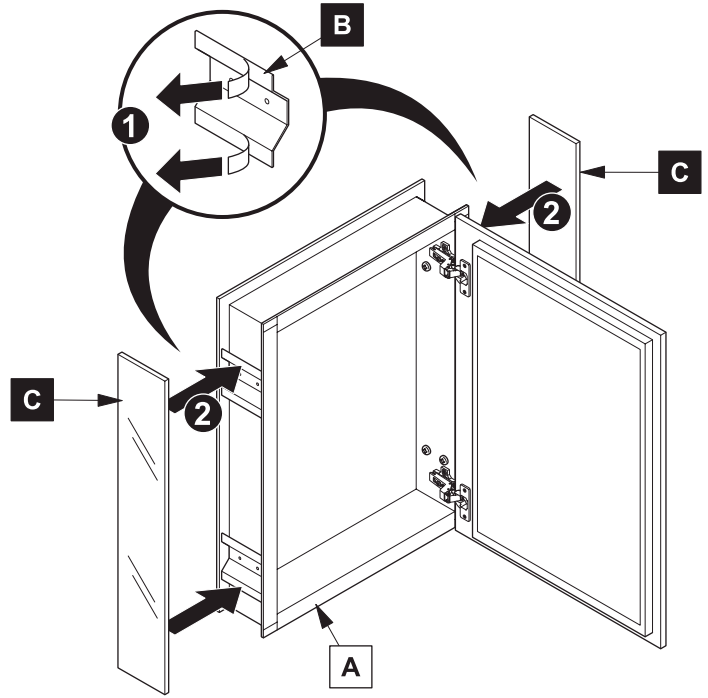
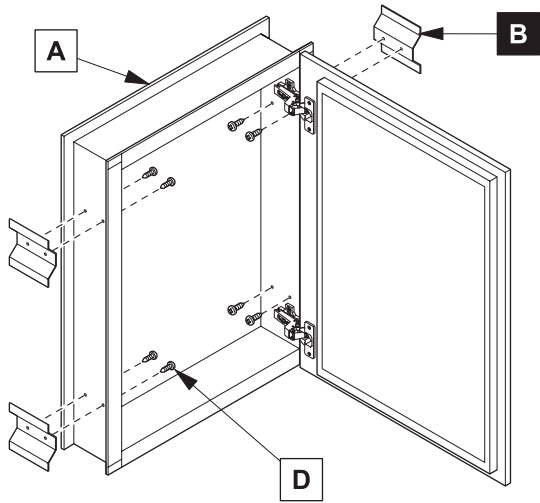


# MEDICINE CABINET INSTALLATION

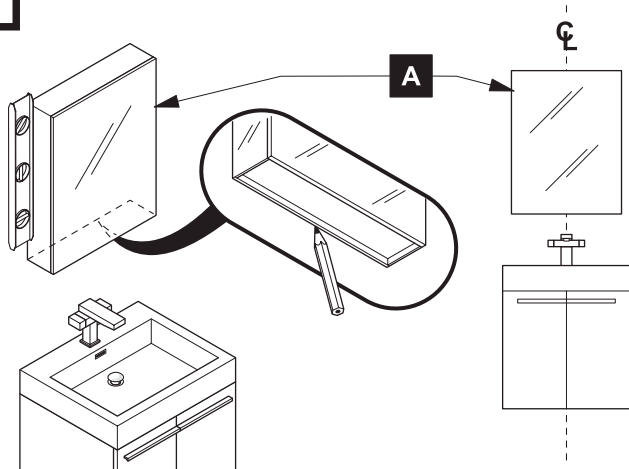
2

Install side mirrors (C)

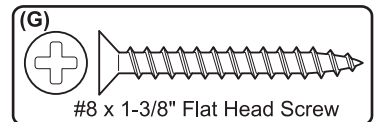
1 Install side brackets (B)



3 Mark cabinet (A) location

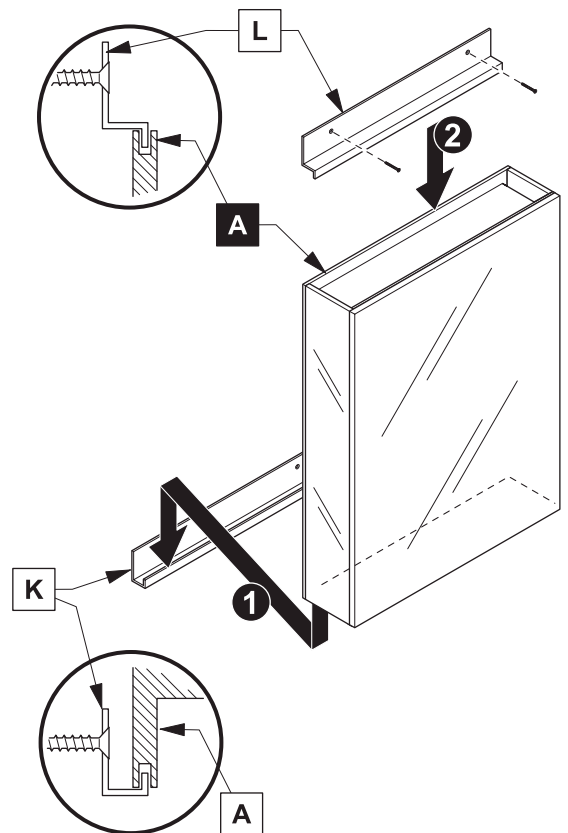
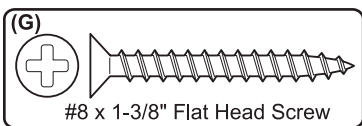


5 Install cabinet (A)



4 Install bottom bracket (K)

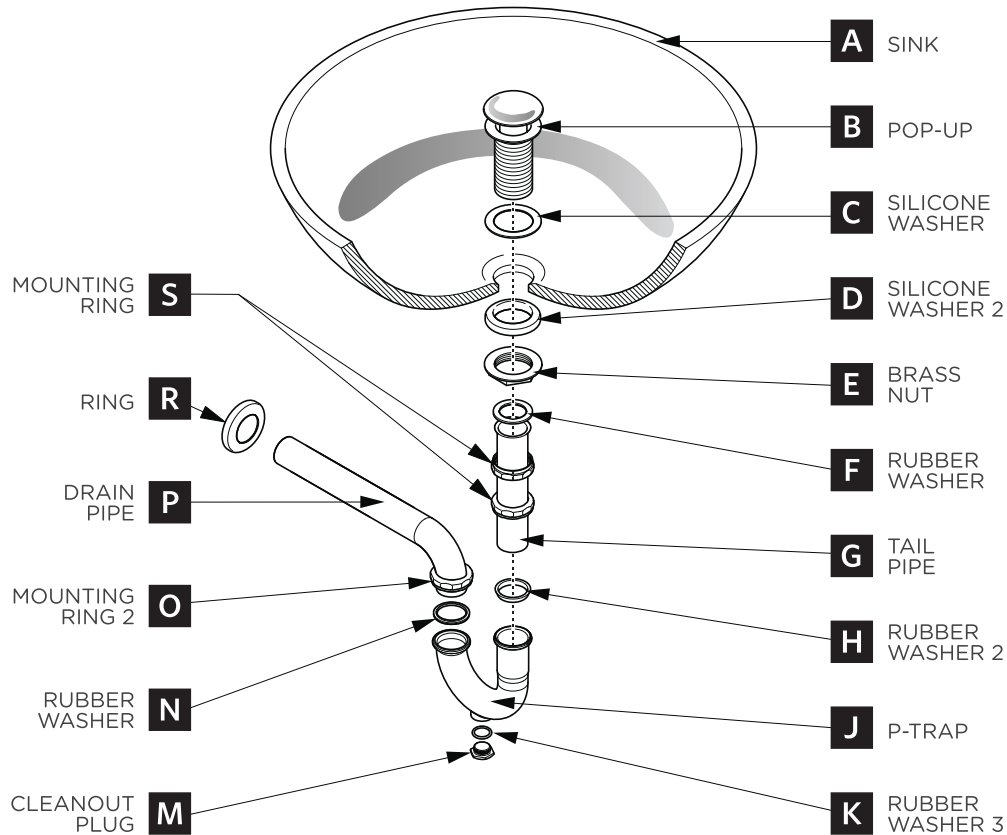
**IMPORTANT:** Consult an expert for the proper screws/bolts to use when attaching to various wall constructions. Screws provided do not attach to all wall construction types.



# P-TRAP & POP-UP

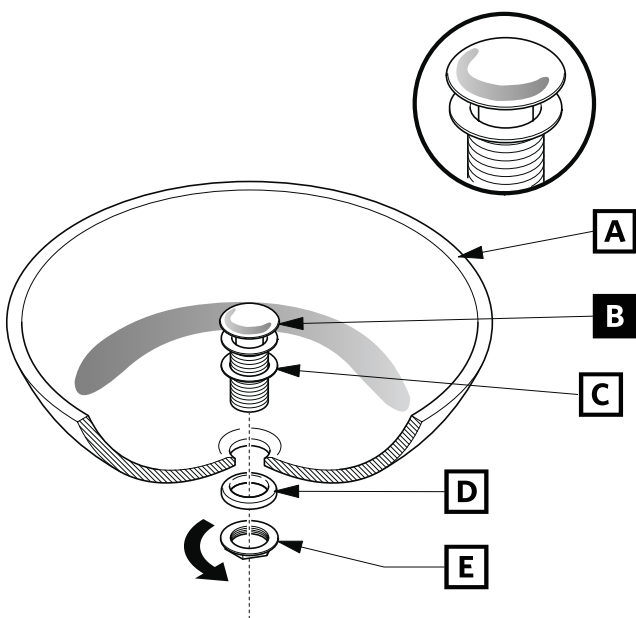
## INSTALLATION INSTRUCTIONS

Your item may appear slightly different from the illustration.



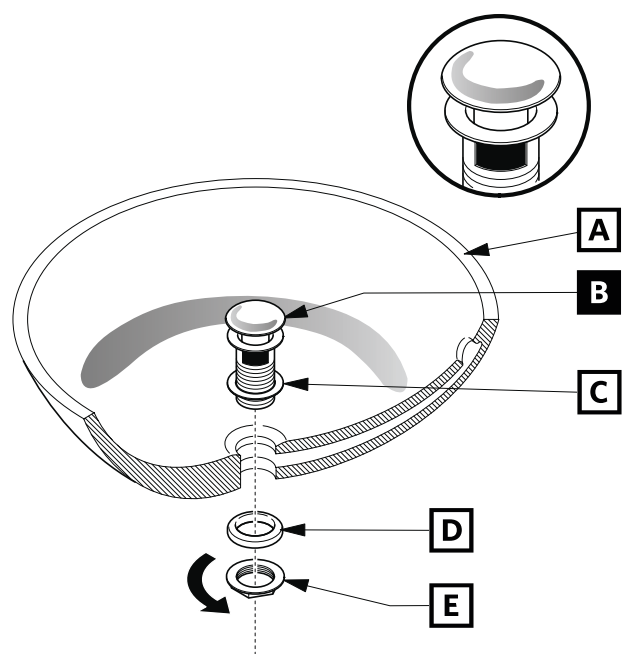
## POP-UP INSTALLATION

### FOR SINKS WITHOUT OVERFLOW



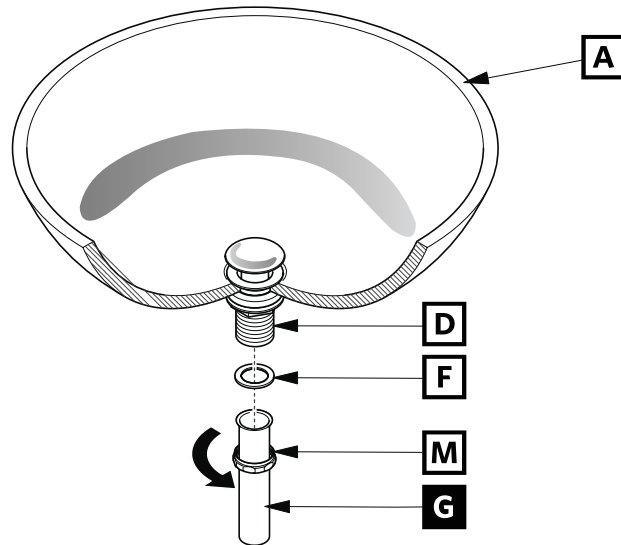
OR

### FOR SINKS WITH OVERFLOW



# P-TRAP INSTALLATION

## 1. Install tail pipe (G)



## 2. Install P-trap (J)

