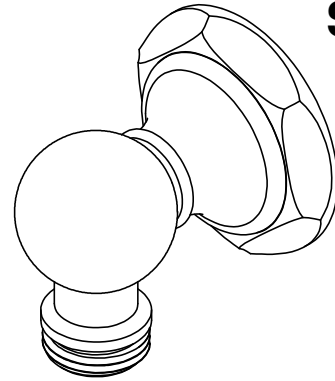




Features

- Over 30 finishes including 14 PVD finishes
- Solid brass construction
- 1/2" NPT (female) inlet connection
- 1/2" NPSM (male) outlet connection

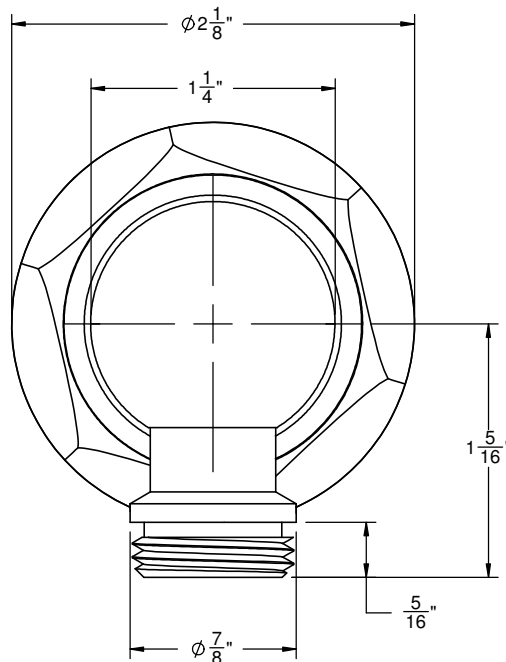
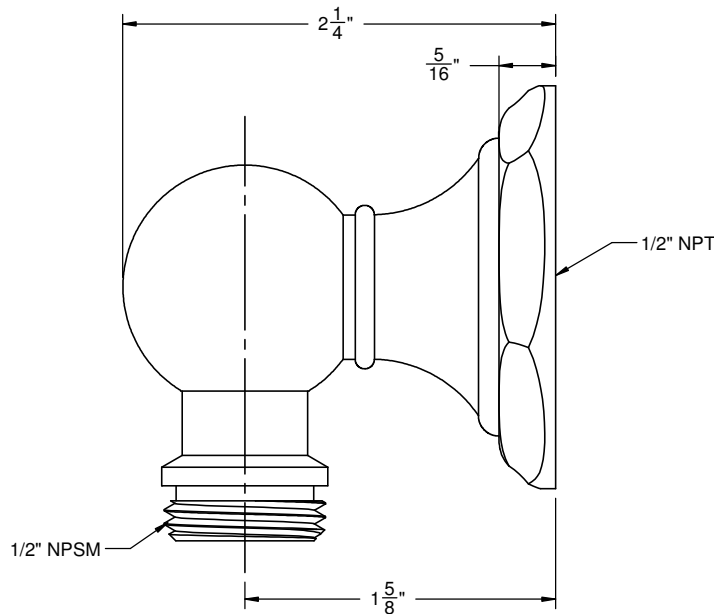
SH-10-47



Codes/Standards Applicable

Meets or exceeds the following at date of manufacture:

- ASME A112.18.1/CSA B125.1



ALL DIMENSIONS SHOWN TO NEAREST 1/16"



Features

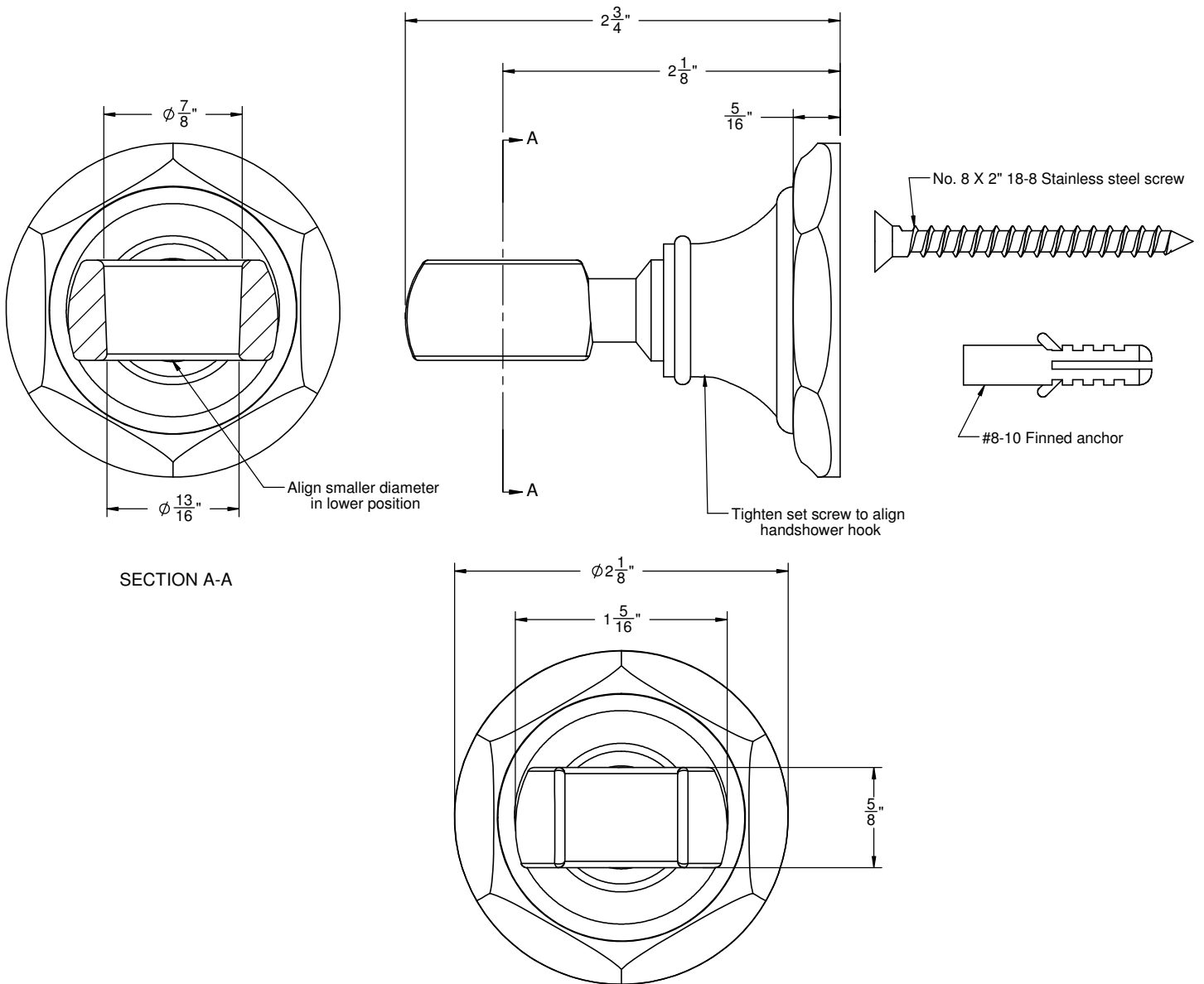
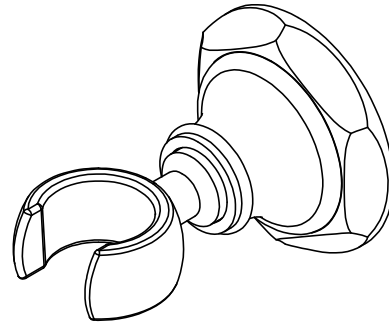
- Over 30 finishes including 14 PVD finishes
- Solid brass construction
- All mounting hardware included
- Accepts most conical handshower hoses

Codes/Standards Applicable

Meets or exceeds the following at date of manufacture:

- ASME A112.18.1/CSA B125.1

SH-20-47



ALL DIMENSIONS SHOWN TO NEAREST 1/16"